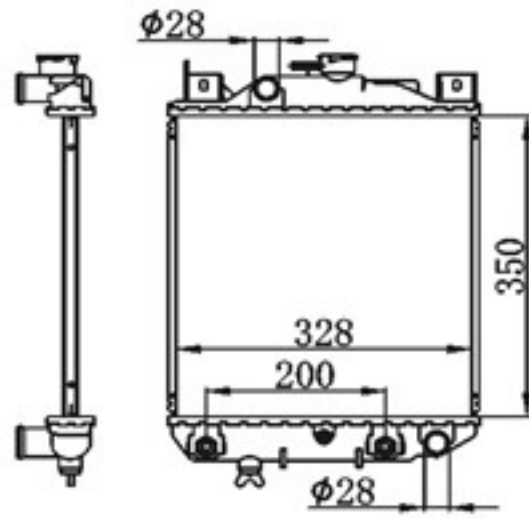
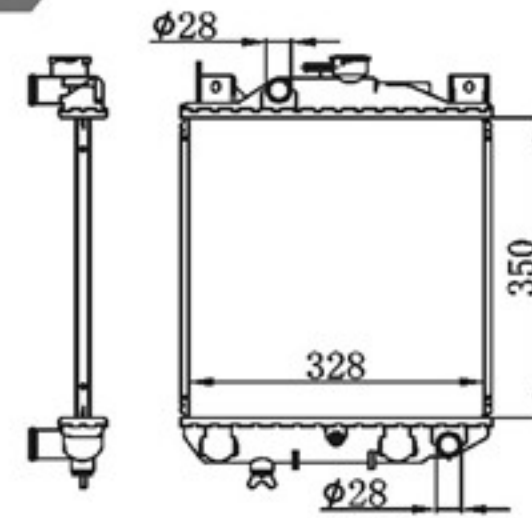


BY-44001



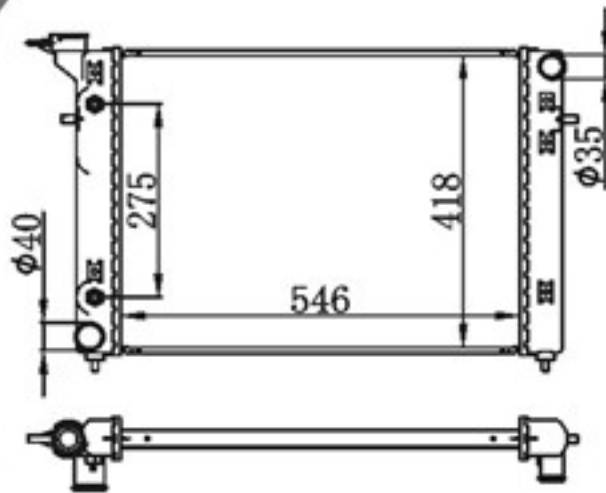
MODELS : BARINA 1.3LT 88-94 AT P A : 16/26
 CORE SIZE : 350×328 DPI :
 TANK SIZE : 49/49×347 OEM :
 CARTON: 390*120*580 NISSENS:

BY-44002



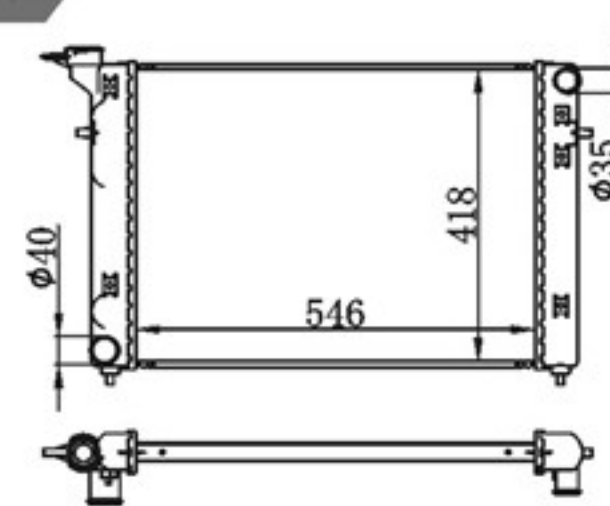
MODELS : BARINA 1.3LT 88-94 MT P A : 16/26
 CORE SIZE : 350×328 DPI :
 TANK SIZE : 49/49×347 OEM :
 CARTON: 390*120*580 NISSENS:

BY-44003



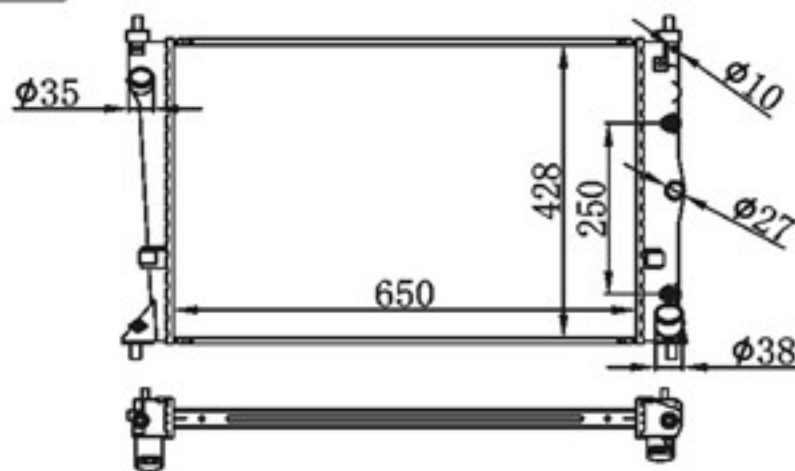
MODELS : COMMODORE VP, VR, VS, S1, V6 AT P A : 26/32
 CORE SIZE : 546×418 DPI :
 TANK SIZE : 52/52×440 OEM :
 CARTON: 815*135*540 NISSENS:

BY-44004



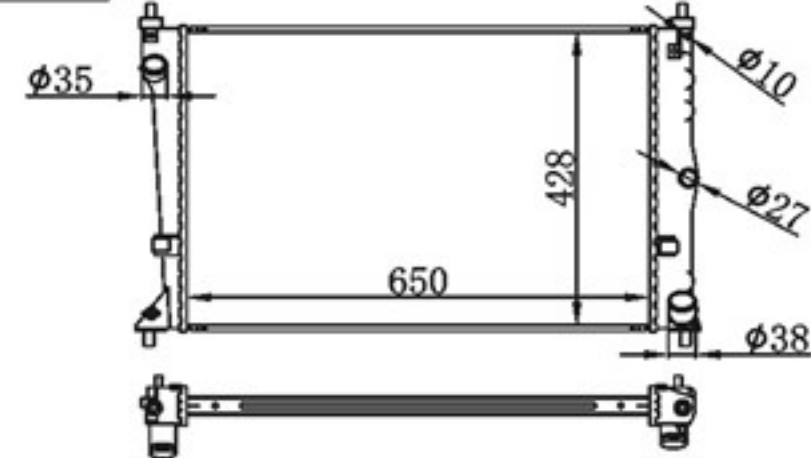
MODELS : COMMODORE VP, VR, VS, S1, V6 MT P A : 26/32
 CORE SIZE : 546×418 DPI :
 TANK SIZE : 52/52×440 OEM :
 CARTON: 815*135*540 NISSENS:

BY-44005



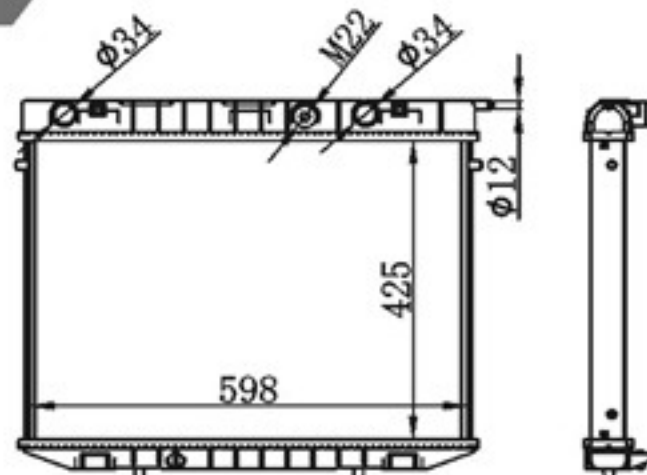
MODELS : FALCON BA XR6, TURBO, V8 AT P A : 26/32
 CORE SIZE : 650×428 DPI :
 TANK SIZE : 55/55×449 OEM :
 CARTON: 850*155*560 NISSENS:

BY-44006



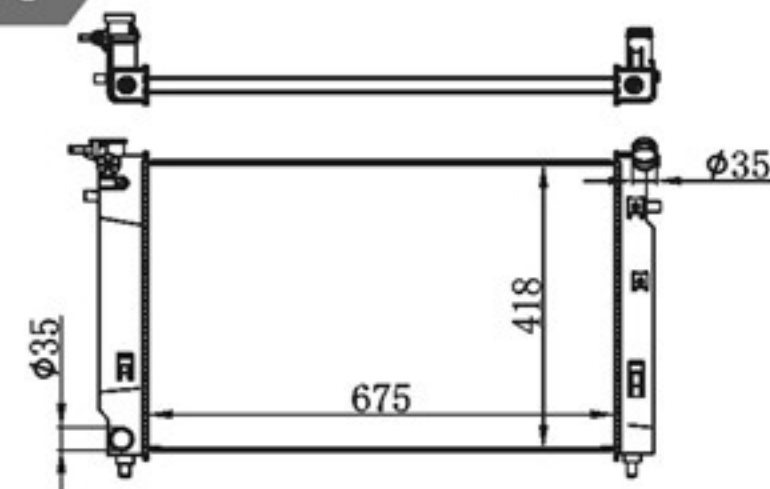
MODELS : FALCON BA XR6, TURBO, V8 MT P A : 26/32
 CORE SIZE : 650×428 DPI :
 TANK SIZE : 55/55×449 OEM :
 CARTON: 850*155*560 NISSENS:

BY-44007



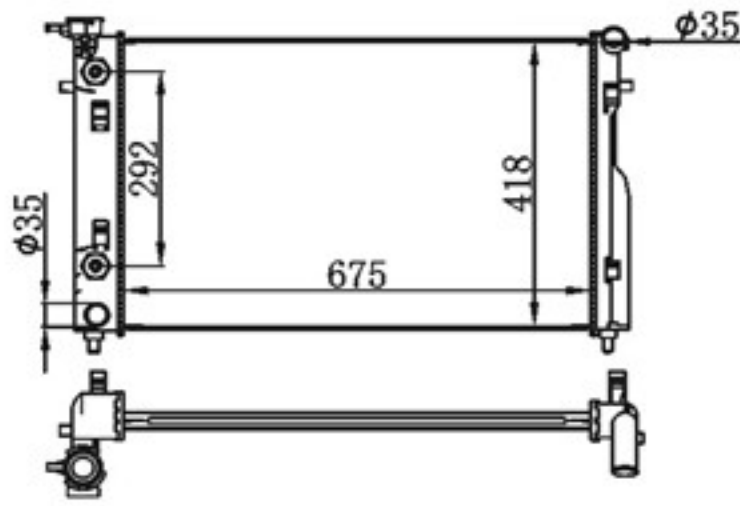
MODELS : FRONTERA A 92-98 MT P A : 26/32
 CORE SIZE : 425×598 DPI :
 TANK SIZE : 64/64×628 OEM : 1300 119/120
 CARTON: 690*120*630 NISSENS: 63244

BY-44008



MODELS : COMMODORE VX V6 MT P A : 26/32
 CORE SIZE : 675×418 DPI :
 TANK SIZE : 58/58×450 OEM : 92092011
 CARTON: 915*170*560 NISSENS:

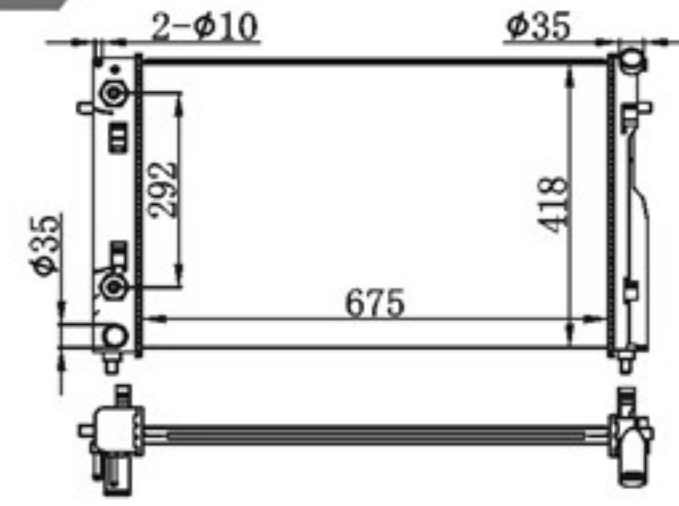
BY-44009



MODELS : COMMODORE VY V6 AT
 CORE SIZE : 675×418
 TANK SIZE : 58/70×450
 CARTON: 915*170*560

P A : 26/32
 DPI :
 OEM :
 NISSENS:

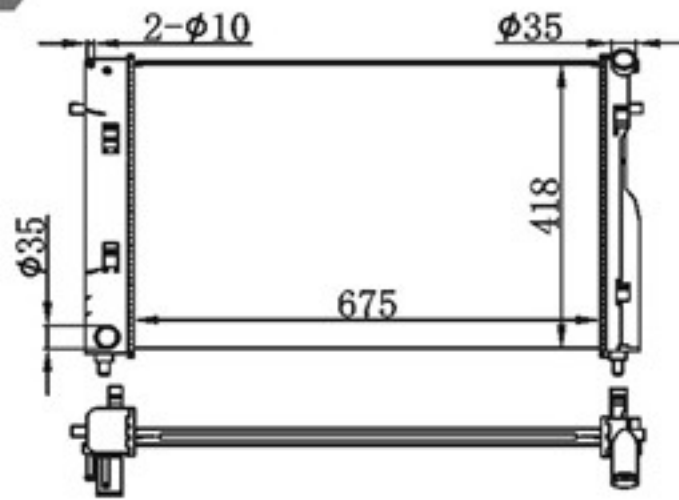
BY-44010



MODELS : COMMODORE VY V8 AT
 CORE SIZE : 675×418
 TANK SIZE : 58/70×452
 CARTON: 885*180*560

P A : 26/32
 DPI :
 OEM :
 NISSENS:

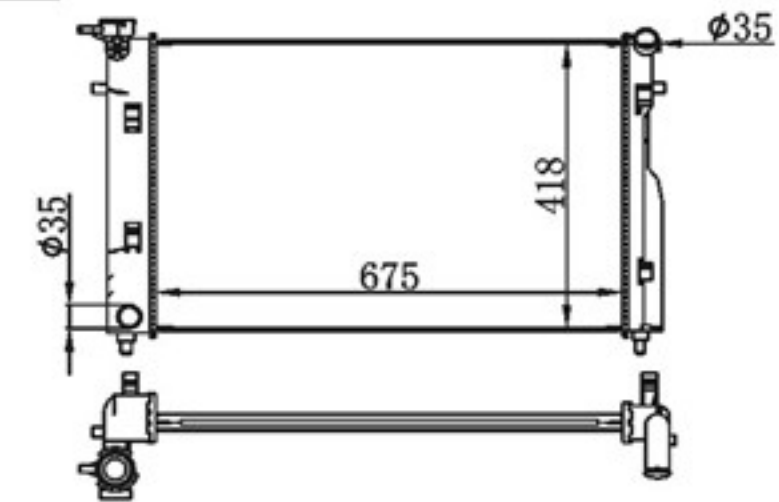
BY-44011



MODELS : COMMODORE VY V8 MT
 CORE SIZE : 675×418
 TANK SIZE : 58/70×452
 CARTON: 885*180*560

P A : 26/32
 DPI :
 OEM :
 NISSENS:

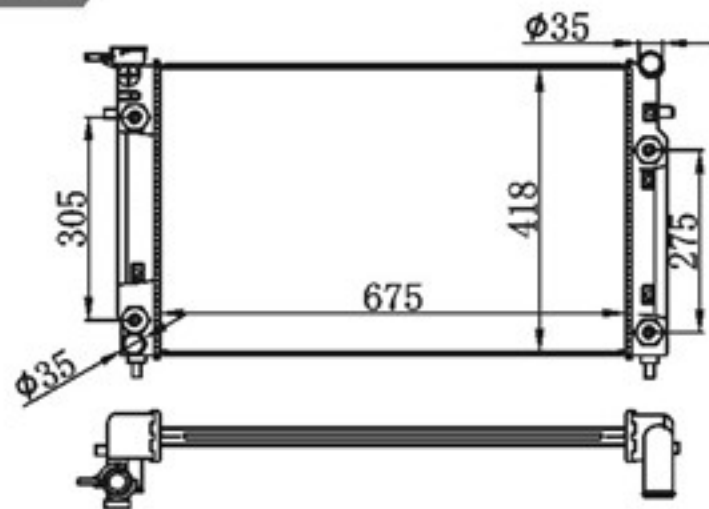
BY-44012



MODELS : COMMODORE VY V6 MT
 CORE SIZE : 675×418
 TANK SIZE : 58/70×450
 CARTON: 915*170*560

P A : 26/32
 DPI :
 OEM :
 NISSENS:

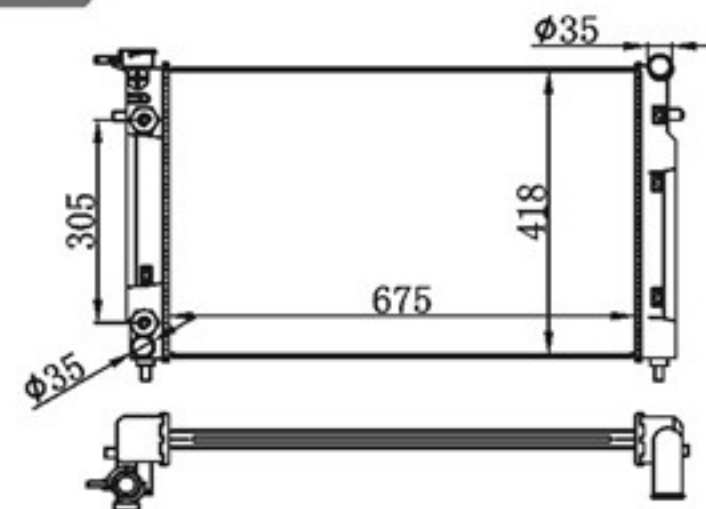
BY-44013



MODELS : COMMODORE VT V6 S1 AT
 CORE SIZE : 675×418
 TANK SIZE : 58/58×450
 CARTON: 915*170*560

P A : 26/32
 DPI :
 OEM : JR1013C
 NISSENS:

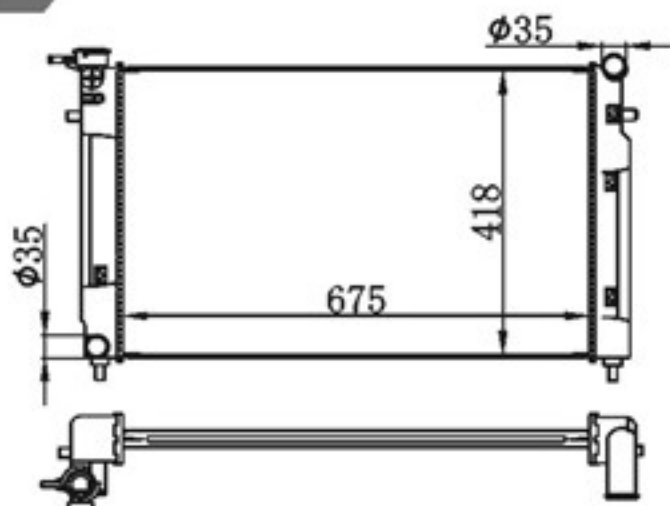
BY-44014



MODELS : COMMODORE VT V6 S2 AT
 CORE SIZE : 675×418
 TANK SIZE : 58/58×450
 CARTON: 915*170*560

P A : 26/32
 DPI :
 OEM : JR1015J
 NISSENS:

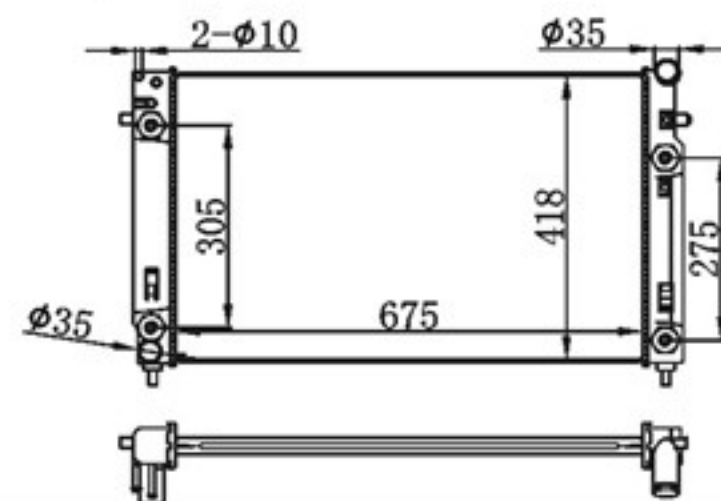
BY-44015



MODELS : COMMODORE VT V6 MT
 CORE SIZE : 675×418
 TANK SIZE : 58/58×450
 CARTON: 915*170*560

P A : 26/32
 DPI :
 OEM : JR1017C
 NISSENS:

BY-44016



MODELS : COMMODORE VX V8 AT
 CORE SIZE : 675×418
 TANK SIZE : 58/58×450
 CARTON: 885*140*560

P A : 26/32
 DPI :
 OEM :
 NISSENS:

BY-44017

MODELS : COMMODORE VX V8 AT P A : 26/32
 CORE SIZE : 675×418 DPI :
 TANK SIZE : 58/58×450 OEM :
 CARTON: 885*140*560 NISSENS:

BY-44018

MODELS : COMMODORE VX V8 MT P A : 26/32
 CORE SIZE : 675×418 DPI :
 TANK SIZE : 58/58×450 OEM :
 CARTON: 885*140*560 NISSENS:

BY-44019

MODELS : LUMINA V8VZ 04- AT P A : 26/32
 CORE SIZE : 675×418 DPI : 2987-PA32
 TANK SIZE : 58/70×450 OEM :
 CARTON: 890*175*560 NISSENS:

BY-44020

MODELS : LUMINA V8VZ 04- MT P A : 26/32
 CORE SIZE : 675×418 DPI :
 TANK SIZE : 58/70×450 OEM :
 CARTON: 890*175*560 NISSENS:

BY-44021

MODELS : LUMINA V6 04- VZ MT P A : 26/32
 CORE SIZE : 675×418 DPI :
 TANK SIZE : 58/70×450 OEM :
 CARTON: 885*210*540 NISSENS:

BY-44022

MODELS : LUMINA V6 04- VZ AT P A : 28/32
 CORE SIZE : 675×418 DPI :
 TANK SIZE : 58/70×450 OEM :
 CARTON: 885*210*540 NISSENS:

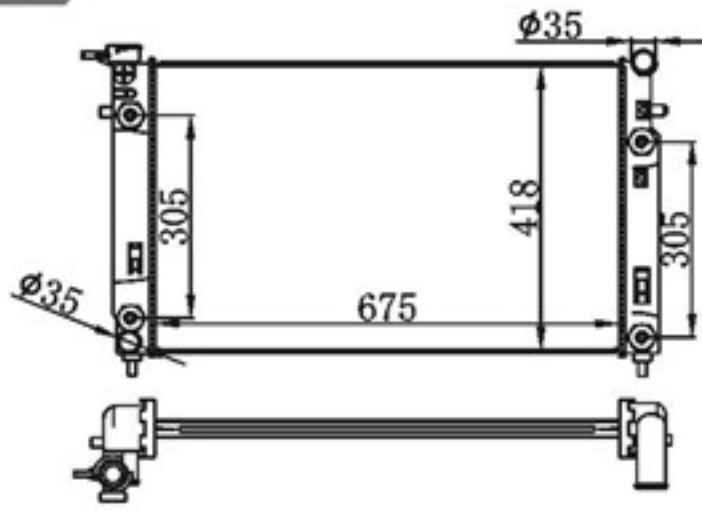
BY-44023

MODELS : FALCON BF V8/6CYL TURBO AT P A : 26/32
 CORE SIZE : 650×428 DPI :
 TANK SIZE : 55/55×449 OEM :
 CARTON: 850*155*560 NISSENS:

BY-44024

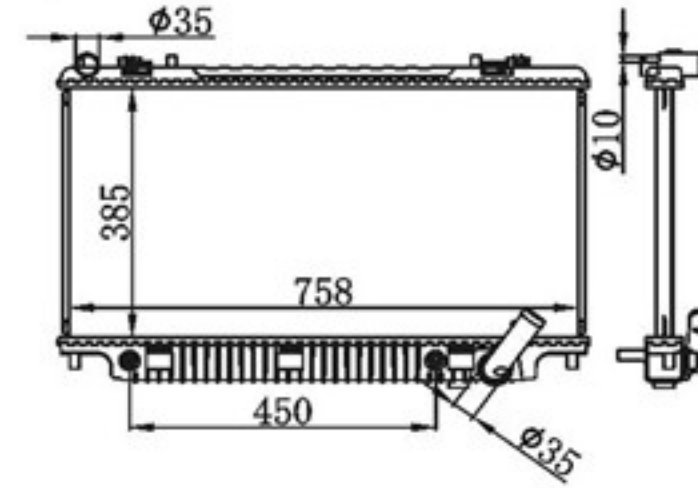
MODELS : COMMODORE VT V6 97- AT P A : 28/32
 CORE SIZE : 675×418 DPI :
 TANK SIZE : 58/58×450 OEM :
 CARTON: 915*170*560 NISSENS:

BY-44025



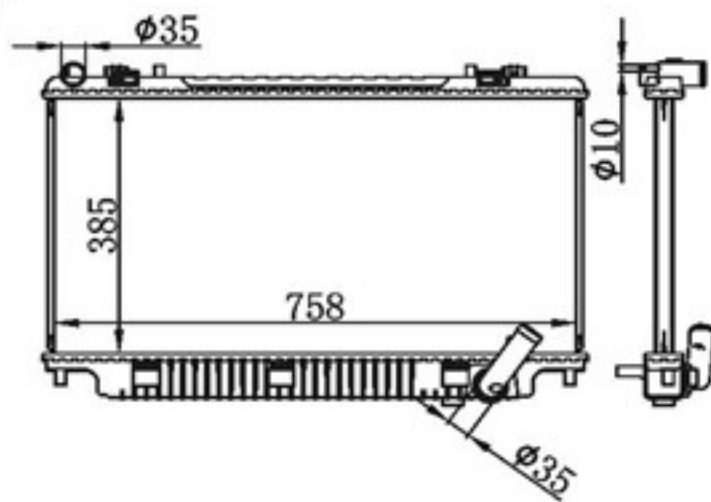
MODELS : COMMODORE VX V6 AT P A : 26/32
 CORE SIZE : 675×418 DPI :
 TANK SIZE : 58/58×450 OEM :
 CARTON: 915*170*560 NISSENS:

BY-44026



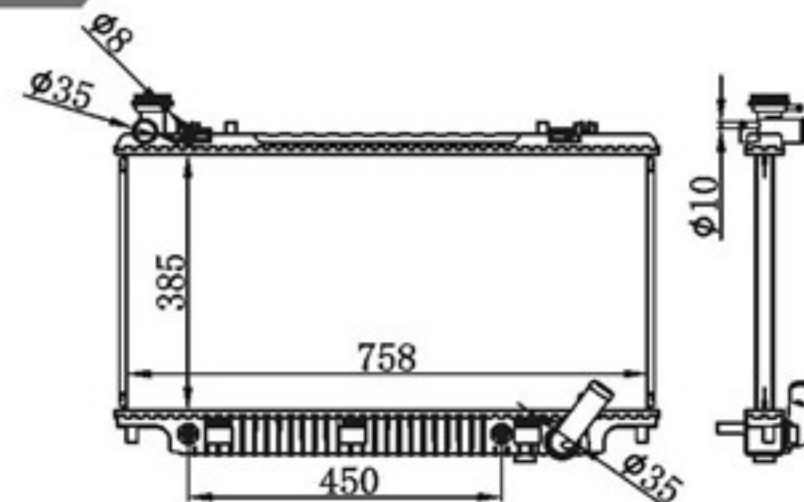
MODELS : COMMODORE VE V6 AT P A : 26/40
 CORE SIZE : 385×758 DPI :
 TANK SIZE : 55.5/55.5×788 OEM : JR1072J
 CARTON: 580*170*850 NISSENS:

BY-44027



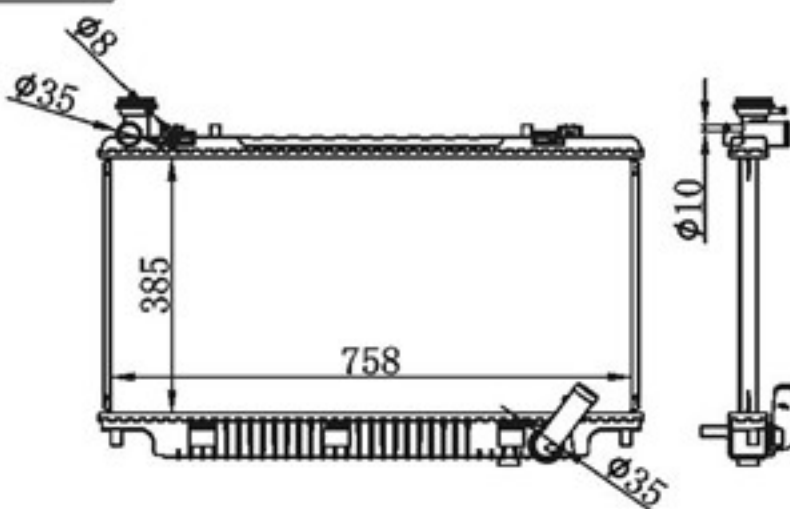
MODELS : COMMODORE VE V6 MT P A : 26/40
 CORE SIZE : 385×758 DPI :
 TANK SIZE : 55.5/55.5×788 OEM :
 CARTON: 580*170*850 NISSENS:

BY-44028



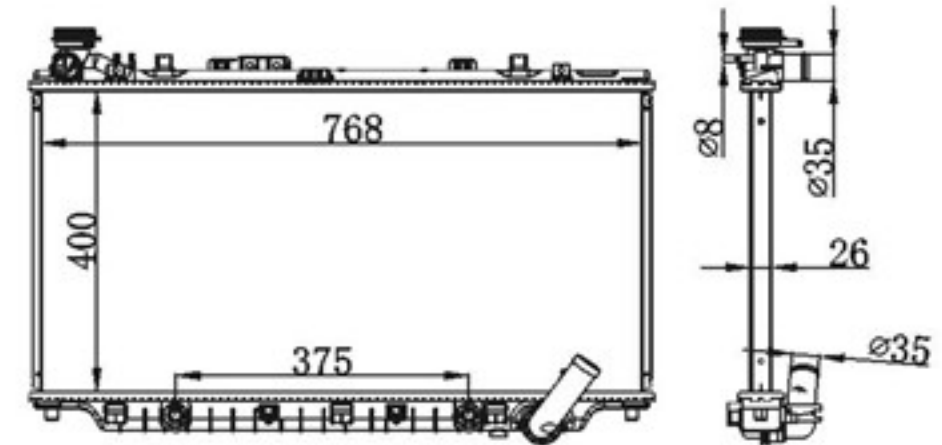
MODELS : COMMODORE VE V8 AT P A : 26/40
 CORE SIZE : 385×758 DPI :
 TANK SIZE : 55.5/55.5×788 OEM : JR1074J
 CARTON: 580*170*850 NISSENS:

BY-44029



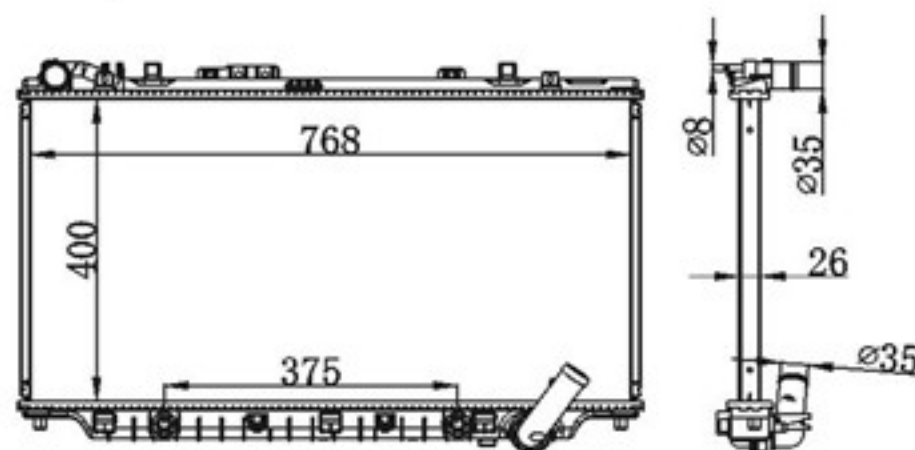
MODELS : COMMODORE VE V8 MT P A : 26/40
 CORE SIZE : 385×758 DPI :
 TANK SIZE : 55.5/55.5×788 OEM :
 CARTON: 580*170*850 NISSENS:

BY-44030



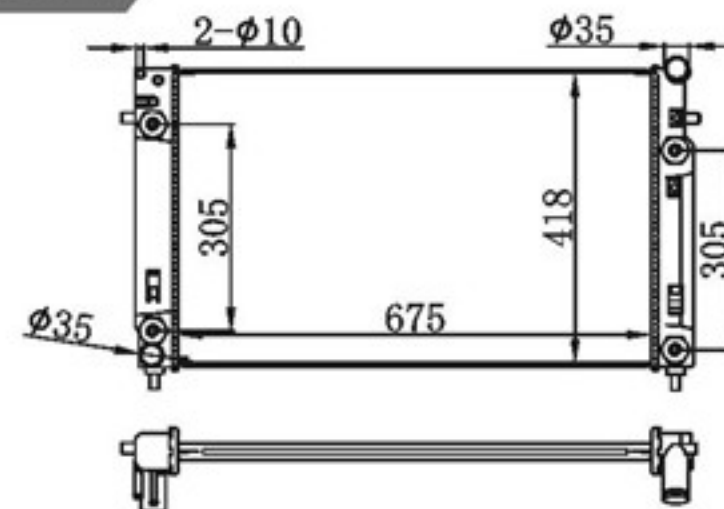
MODELS : COMMODORE VE 2/VF 6.0L V8 13-/
 CHEVROLET SS 6.2L V8 14- AT P A : 26
 CORE SIZE : 400×768 DPI : 13473
 TANK SIZE : 48/55×793 OEM : 92456751
 CARTON: 550*120*795 NISSENS:

BY-44031



MODELS : COMMODORE VE 3 11- AT P A : 26
 CORE SIZE : 400×768 DPI :
 TANK SIZE : 48/55×793 OEM : 92431107
 CARTON: 520*120*795 NISSENS:

BY-44032



MODELS : COMMODORE VX V8 AT P A : 26/32
 CORE SIZE : 675×418 DPI :
 TANK SIZE : 58/58×450 OEM :
 CARTON: 885*140*560 NISSENS: