

2019

产品介绍手册  
PRODUCT CATALOGUE



赛埃孚汽车保修设备太仓有限公司  
SAFE AUTOMOTIVE MAINTENANCE EQUIPMENT(TAICANG) CO.,LTD  
上海星汇汽车维修机械有限公司  
SHANGHAI XINGHUI AUTO MAINTENANCE MACHINERY CO.,LTD  
上海熠驰汽车设备有限公司  
SHANGHAI REACH AUTOMOTIVE EQUIPMENT CO.,LTD

地址：江苏省太仓港港口开发区滨洋路6号  
Add:No.6, Binyang Road, Taicang port develop zone,Jiangsu  
电话/Tel:+86-21-69111003  
Email:sales@sh-reach.com winni\_zhu@first-safe.com  
Http://www.sh-reach.com Http://www.first-safe.com



赛埃孚汽车保修设备太仓有限公司  
SAFE AUTOMOTIVE MAINTENANCE EQUIPMENT(TAICANG) CO.,LTD

上海星汇汽车维修机械有限公司  
SHANGHAI XINGHUI AUTOMOTIVE MAINTENANCE MACHINERY CO.,LTD.

上海熠驰汽车设备有限公司  
SHANGHAI REACH AUTOMOTIVE EQUIPMENT CO.,LTD



与汽车工业同步成长的  
汽车举升设备品牌

Auto Lifting Equipment Brand Growing  
with Automobile Industry.



# MODERN PRODUCTION BASE

## 现代化的生产基地

上海星汇-赛埃孚公司地处于江苏省太仓市国家级港口开发区，公司占地二十亩，标准厂房面积八千二百平方米，厂房设计年产能2万台汽车举升机，公司拥有各类先进的大型制造设备和高级专业技术人才，主营生产各类中高端汽车举升机，强大的技术研发团队确保机型种类与世界发达国家保持同步。

上海星汇-赛埃孚公司旗下拥有国内上海星汇品牌和海外赛埃孚品牌，我们专业的生产管理、技术研发、市场销售团队在为国内汽保业提供服务的同时，也服务于欧洲、澳洲、东南亚、俄罗斯等海外汽保企业和经销商，科学的管理体系，保证了高品质的产品。

Shanghai Xinghui- SAFE company located in Taicang National Port Development Zone, Jiangsu Province, it covering 13500 square meter, and has 8200 square meter of standard plant. The plant is designed for the yearly production capacity of 20000units car lifts. The company has various kind of advanced big manufacturing equipments and superior professional technicians, mainly producing different kinds of middle and high end car lifts.

Shanghai Xinghui- SAFE company owns the domestic brand of "Xinghui" and oversea brand of "SAFE", we have the professional production, technical, marketing and sales team is serving the domestic Auto Maintenance field, as well as the oversea distributors in Russia, Europe, Australia, Asia, Africa, and South America. The scientific management system guarantees the high product quality.

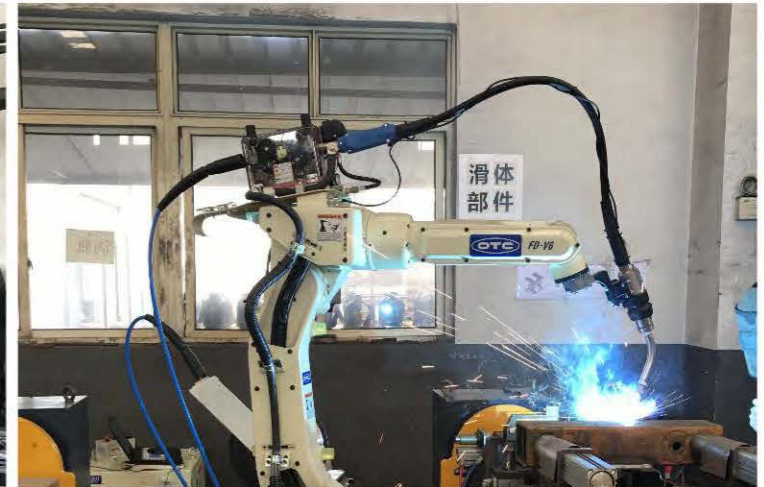


# STANDARDIZED PRODUCTION MANAGEMENT AND QUALITY CONTROL

## 生产管理与质量控制

公司的生产管理和质量控制团队，秉承“专心做品质”的生产理念，并将这个理念灌输给每一个上海星汇-赛埃孚的员工，从原料采购，所用的钢材一律采购自国有大型钢厂生产的标准尺寸板材和管材，各类配件实行严格的采购流程，不定期对配件样品进行各类机械性能试验和物理实验，而生产过程中的每一道零部件都经过相关部门严格的质检，确保制成优质合格的成品。

The Manufacturing Management and Quality Control Team obedience to the manufacturing philosophy of "Focusing on the quality", and instill this philosophy to every staff of "Xinghui-SAFE". From the material purchasing, all the steel is only the standard material from the big steel factory. All kinds of spare parts are strictly follow the purchasing procedure, and make different machinery and physical test. As well as each part are through the strict quality control in each procedure, so as to ensure the good quality products.



# ENTERPRISE CERTIFICATION QUALIFICATIONS

## 企业资质

质量是企业成功的关键，上海星汇-赛埃孚公司分别于2002年和2007年成功通过了ISO9001:2000质量管理体系认证以及欧盟CE产品认证。

Quality is the key of success, "Xinghui-SAFE" succeeded in passing ISO9001:2000 & CE approval in 2002 and 2007.



# CHINESE SERVICE TERRITORY

## 国内服务

“上海星汇”作为一个拥有26历史的品牌,从成立初期,星汇牌升降机就成为了大众维修站的指定产品。星汇牌系列升降机又相继成为了一汽丰田、北京现代,日产尼桑等4S站的配套产品。直至今日,“上海星汇”品牌在全中国各地拥有100多家专业经销商,以稳定的产品质量和一流的服务理念赢得了国内外同行的一致好评。

“Shanghai Xinghui” as a famous brand with 26 years history in China, it has been the indicated products for Volkswagen station when it was just established. And it has been the auxiliary products of Toyota, Hyundai, Nissan, BYD etc in succession. Till today, “Shanghai Xinghui” brand has more 100 distributors in Chinese market, and gain the good reputation with the steady and good quality and first-class service philosophy.

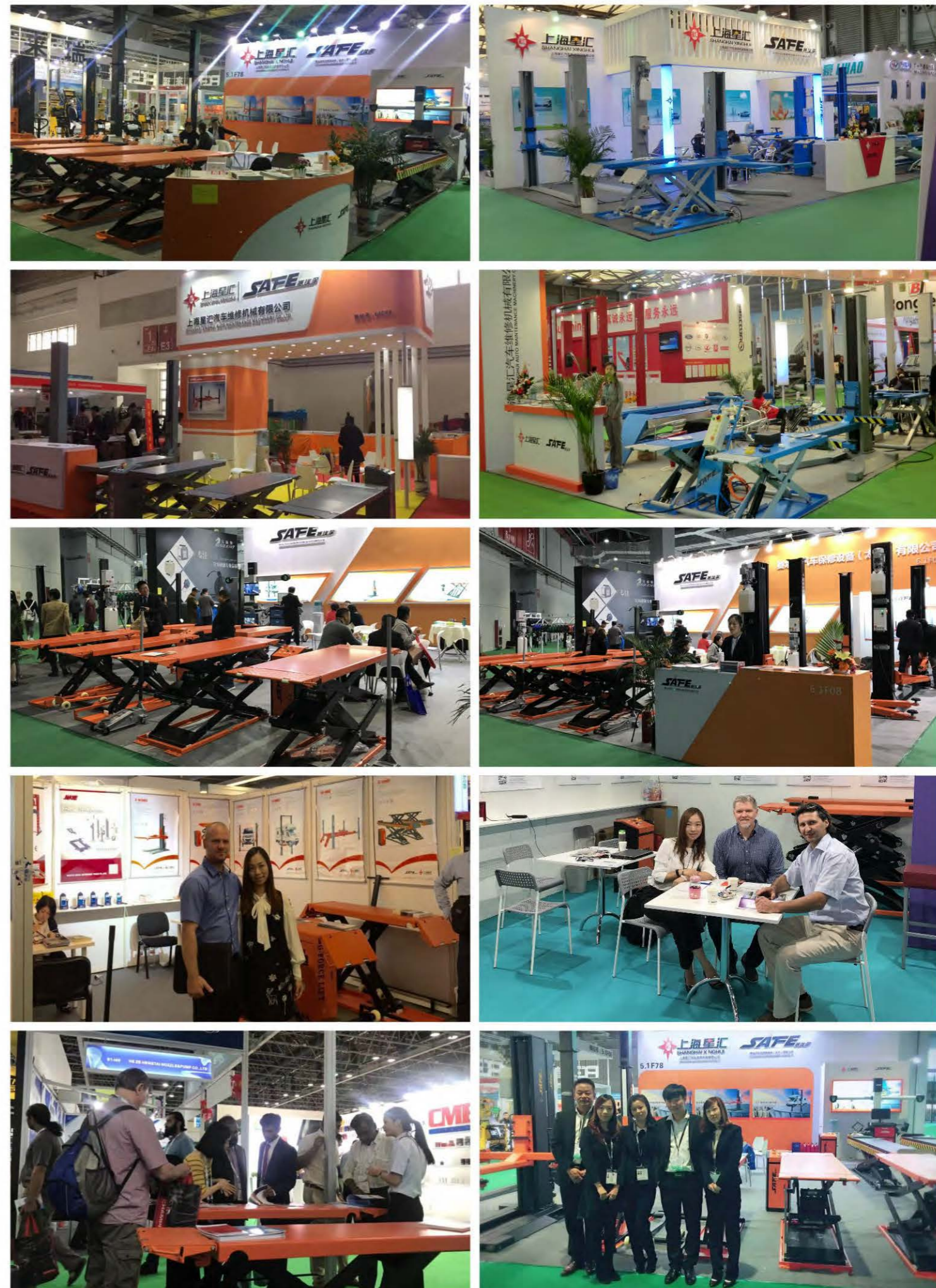


# INTERNATIONAL SERVICE TERRITORY

## 国际服务

在为国内汽保业提供服务的同时，公司旗下的“赛埃孚”品牌从2002年成立起，专业服务于海外市场。为了更好的迎合海外市场的需求，公司不断开发研制了更多适合国际市场需求的产品，如停车系列举升机、单柱举升机、轮胎服务举升机，现已成功远销欧洲、亚洲，澳洲、俄罗斯，非洲，中东，南美等海外市场，获得了海外经销商的一致认可。

When offering the service for domestic market, "SAFE" brand was established in 2002, is especially serving the oversea market. In order to cater for the global marketing requirements, we developed more different lifts, like parking lift, single post lift, tire service lift. Now is well selling and accepted in the market of Europe, Russia, Asia, Australia, Africa, Middle East and South America.



## SF-B4000

4T 双柱双缸液压举升机  
Electro-Hydraulic 2 Post Lift Floor Plate Type, Manual two sides lock release



4000 kg



380 V

220 V

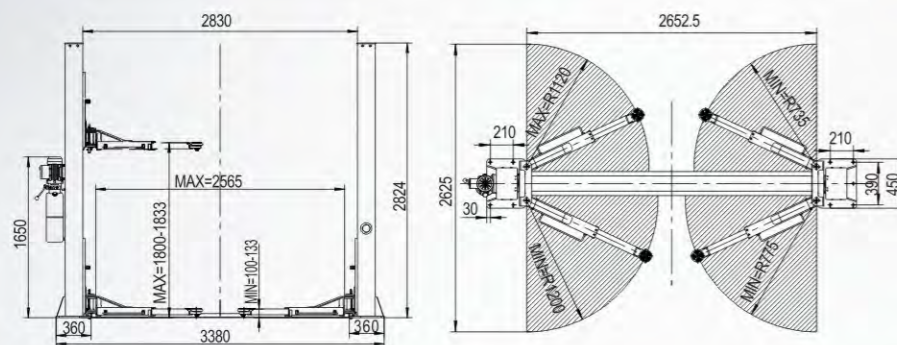
- 手动双边解锁。
  - 托臂自锁结构，上升时自动锁紧，下降到地面时自动解锁。
  - 二节螺旋举升托垫可以轻松调节高度，更容易定位汽车支撑点，适合于更多的低底盘车辆。
  - 油缸端头装有节流阀，即便油管突然爆裂，也能确保安全。
  - 橡胶车门防撞垫作为标准配置，能有效的保护车门的损伤。
  - 托臂防压脚作为CE标准配置。
- Manual lock release from two sides.
  - Automatic arm restraints, lifting arm automatically engages when lift is raised and disengaged when lift lowered to the ground.
  - 2-stage Screw-up pads suitable for low chassis vehicle as well as.
  - Parachute valve that equipped in hydraulic joint ensures safety in case of oil hose broken.
  - Door opening protection rubber as standard.
  - Foot guard as CE standard.

## 细节说明 Details



- ① 24V低压控制系统  
24v low voltage control system
- ② 加强型滑台/车门防撞橡胶垫  
Strengthen carriage /Door opening protection rubber
- ③ 内置式油管保护罩  
Built-in pipeline protection cover
- ④ 车门保护橡胶  
Door Opening Protection Rubber
- ⑤ 二节螺旋举升托垫  
2-stage Screw-up pads
- ⑥ 节流阀  
Parachute valve

## 外形尺寸 Dimension



## 技术参数 Technical Data

举升重量	Lifting capacity	4000kg
安装宽度	Mount width	3380mm
立柱高度	Height of post	2824mm
举升高度	Lifting height	1800mm
立柱间距	Width between post	2830mm
最低高度	Min. height	100mm
上升时间	Lifting time	<50s
下降时间	Lowering time	<40s
电机功率	Motor power	2.2kw
电压	Power supply	220v/380v

4000 kg

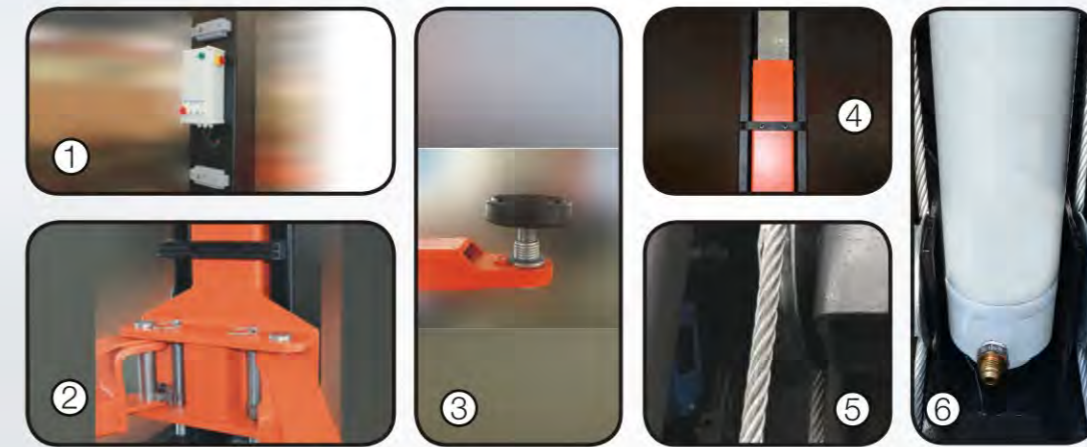


380 V

220 V

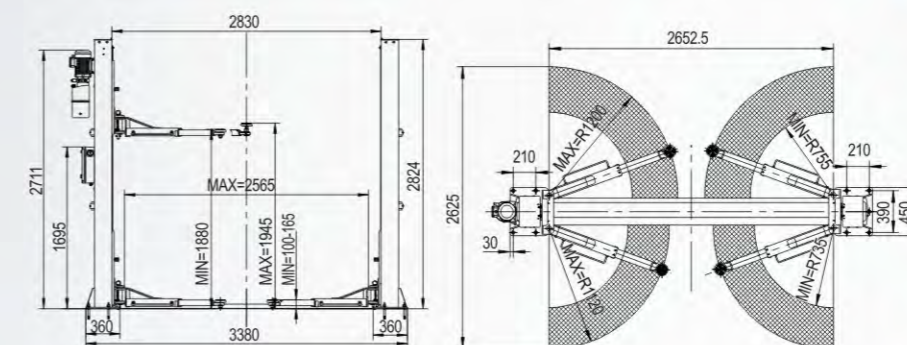
- 电动解锁，只需按上升和下降按钮来实现操作。
  - 托臂自锁结构，上升时自动锁紧，下降到地面时自动解锁。
  - 三节螺旋举升托垫可以轻松调节高度，更容易定位汽车支撑点，适合于更多的低底盘车辆。
  - 油缸端头装有节流阀，即便油管突然爆裂，也能确保安全。
  - 橡胶车门防撞垫作为标准配置，能有效的保护车门的损伤。
  - 链条防护帘作为CE标准配置。
  - 托臂防压脚作为CE标准配置。
- Automatic lock release, just press Up and Down button to operate the lift.
  - Automatic arm restraints, lifting arm automatically engages when lift is raised, and disengaged when lift lowered to the ground.
  - 3-stage Screw-up pads suitable for low chassis vehicle and makes easy and quick service.
  - Parachute valve that equipped in hydraulic joint ensures safety in case of oil hose broken.
  - Door opening protection rubber as standard.
  - Chain protection curtain as CE standard.
  - Foot guard as CE standard.

## 细节说明 Details



- ① 24V低压控制系统(电动解锁)  
24v low voltage control system  
(Automatic lock release)
- ② 加强型滑台/车门防撞橡胶垫  
Strengthen carriage /Door opening protection rubber
- ③ 三节螺旋举升托垫  
3-stage screw-up lifting pad
- ④ 车门保护垫,链条保护装置  
Door protection pad & chain guard
- ⑤ 高度限位开关  
Height limited switch
- ⑥ 节流阀  
Parachute valve

## 外形尺寸 Dimension



## 技术参数 Technical Data

举升重量	Lifting capacity	4000kg
举升高度	Lifting height	1880mm
立柱高度	Height of post	2824mm
立柱间距	Width between post	2830mm
安装宽度	Mount width	3380mm
最低高度	Min. height	100mm
上升时间	Lifting time	<50s
下降时间	Lowering time	<40s
电机功率	Motor power	2.2kw
电压	Power supply	220v/380v

## SF-B4000ES

4T 双柱双缸液压举升机/电动解锁  
Electro-Hydraulic 2 Post Lift Floor Plate Type, Automatic Lock Release



## SF-B4KMS

4T 双柱双缸液压举升机/单边解锁  
Electro-Hydraulic 2 Post Lift Floor Plate Type, Manual Single Side Lock Release



4000 kg



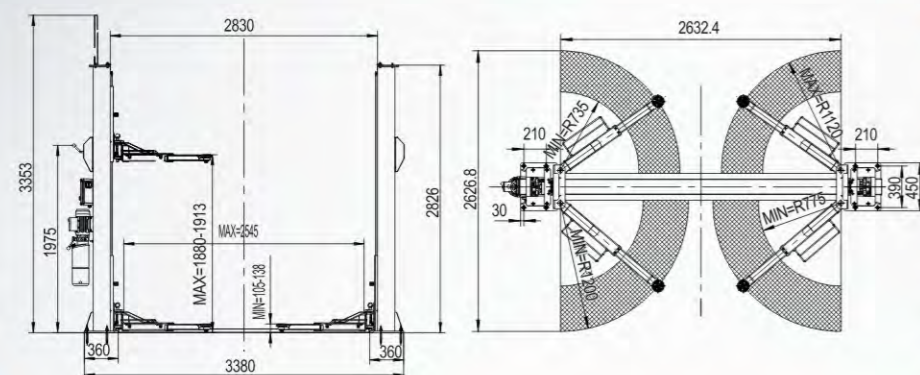
- 单边解锁，使操作更为简便。
  - 托臂自锁结构，上升时自动锁紧，下降到地面时自动解锁。
  - 三节螺旋举升托垫可以轻松调节高度，更容易定位汽车支撑点，适合于更多的低底盘车辆。
  - 油缸端头装有节流阀，即便油管突然爆裂，也能确保安全。
  - 橡胶车门防撞垫作为标准配置，能有效地保护车门的损伤。
  - 托臂防压脚作为CE标准配置。
- Manual lock release from single side.
  - Automatic arm restraints, lifting arm automatically engages when lift is raised, and disengaged when lift lowered to the ground.
  - 3-stage Screw-up pads suitable for low chassis vehicle and makes easy and quick service.
  - Parachute valve that equipped in hydraulic joint ensures safety in case of oil hose broken.
  - Door opening protection rubber as standard.
  - Foot guard as CE standard.

## 细节说明 Details



- ① 24V低压控制系统  
24V low voltage control system
- ② 加强型滑台/车门防撞橡胶垫  
Strengthen carriage /Door opening protection rubber
- ③ 更合理的保险锁结构  
More reasonable safety lock structure
- ④ 三节螺旋举升托垫  
3-stage Screw-up pads
- ⑤ 节流阀  
Parachute valve
- ⑥ 车门保护垫，链条防护装置  
Door protection pad & chain guard

## 外形尺寸 Dimension



## 技术参数 Technical Data

举升重量	Lifting capacity	4000kg
举升高度	Lifting height	1880mm
最低高度	Min. height	105mm
上升时间	Lifting time	<50s
电机功率	Motor power	2.2kw
安装宽度	Mount width	3380mm
立柱高度	Height of post	2824mm
立柱间距	Width between post	2830mm
下降时间	Lowering time	<40s
电压	Power supply	220v/380v

5500 kg



- 电动解锁，只需按上升和下降按钮来实现操作。
  - 托臂自锁结构，上升时自动锁紧，下降到地面时自动解锁。
  - 三节螺旋举升托垫可以轻松调节高度，更容易定位汽车支撑点，适合于更多的低底盘车辆。
  - 油缸端头装有节流阀，即便油管突然爆裂，也能确保安全。
  - 橡胶车门防撞垫作为标准配置，能有效的保护车门的损伤。
  - 链条防护帘作为CE标准配置。
  - 托臂防压脚作为CE标准配置。
- Automatic lock release, just press Up and Down button to operate the lift.
  - Automatic arm restraints, lifting arm automatically engages when lift is raised, and disengaged when lift lowered to the ground.
  - 3-stage Screw-up pads suitable for low chassis vehicle and makes easy and quick service.
  - Parachute valve that equipped in hydraulic joint ensures safety in case of oil hose broken.
  - Door opening protection rubber as standard.
  - Chain protection curtain as CE standard.
  - Foot guard as CE standard.

## SF-B5500ES

5.5T 双柱双缸举升机/电动解锁  
Electro-Hydraulic 2 Post Lift Floor Plate Type, Automatic Lock Release

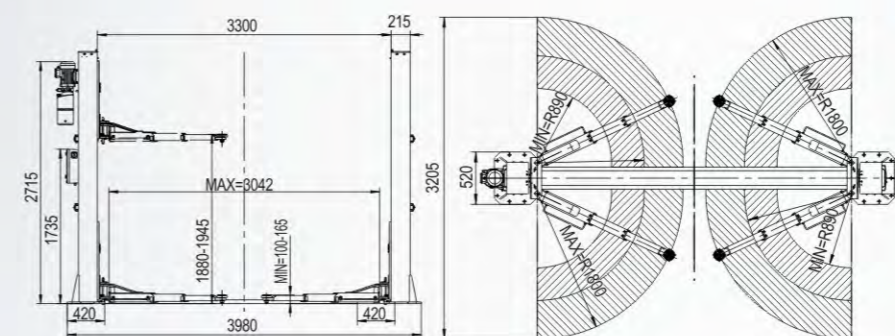


## 细节说明 Details



- ① 24V低压控制系统(电动解锁)  
24v low voltage control system (Automatic lock release)
- ② 车门保护垫链条防护装置  
Door protection pad & chain guard
- ③ 加强型滑台内置锁  
Strengthen carriage Inner arm lock
- ④ 三节托臂带防压脚  
3-stage telescopic arm foot protection
- ⑤ 三节螺旋举升托垫  
3-stage screw-up lifting pad
- ⑥ 高度限位开关  
Height limited switch

## 外形尺寸 Dimension



## 技术参数 Technical Data

举升重量	Lifting capacity	5500kg
举升高度	Lifting height	1880mm
最低高度	Min. height	100mm
上升时间	Lifting time	55s
下降时间	Lowering time	50s
电机功率	Motor power	3kw
电压	Power supply	220/380v 1/3phase



## SF-C4000

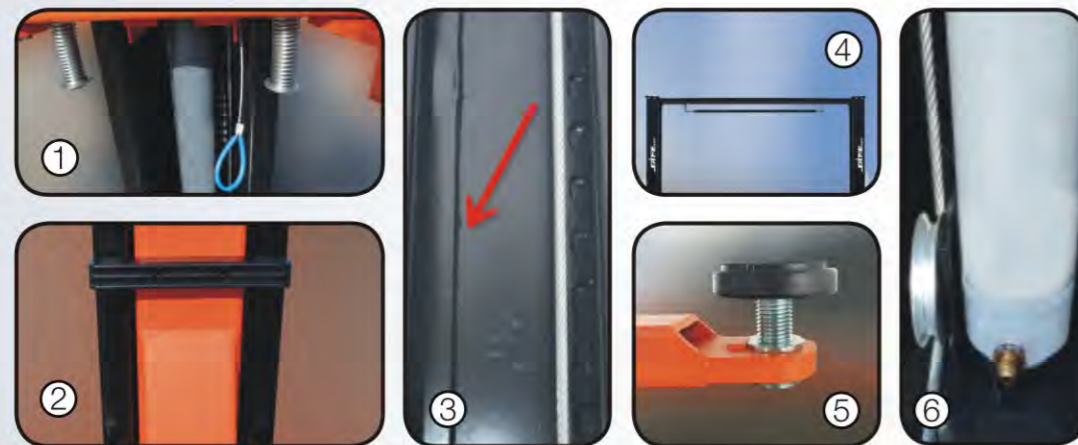
4T 双柱龙门式液压举升机/手动双边解锁  
Electro-Hydraulic 2 Post Lift Clear Floor Type, Manual Two Sides Lock Release



4000 kg  
Manual  
380 V  
220 V

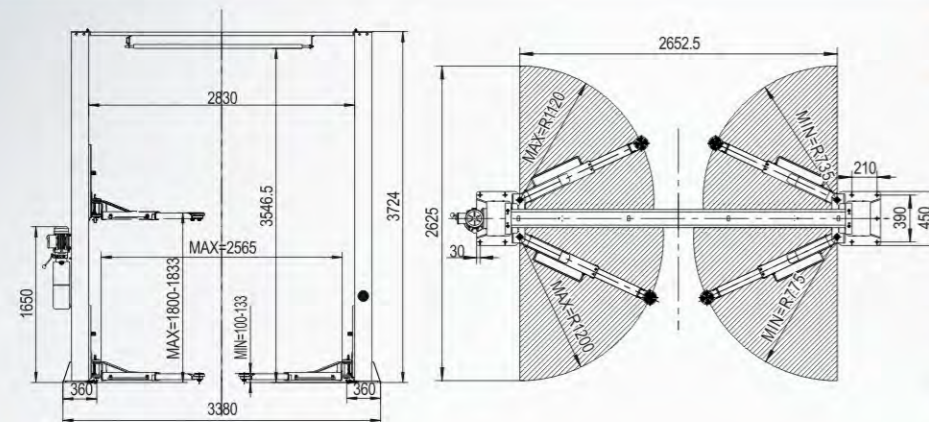
- 手动双边解锁。
  - 托臂自锁结构，上升时自动锁紧，下降到地面时自动解锁。
  - 二节螺旋举升托垫可以轻松调节高度，更容易定位汽车支撑点，适合于更多的低底盘车辆。
  - 油缸端头装有节流阀，即便油管突然爆裂，也能确保安全。
  - 橡胶车门防撞垫作为标准配置，能有效地保护车门的损伤。
  - 高度限位开关有效地防止车顶损坏。
  - 托臂防压脚作为CE标准配置。
- Manual two sides lock release.
  - Automatic arm restraints, lifting arm automatically engages when lift is raised, and disengaged when lift lowered to the ground.
  - 2-stage screw-up pads suitable for low chassis vehicle and makes easy and quick service.
  - Parachute valve equipped in hydraulic joint ensures safety in case of oil hose broken.
  - Door opening protection rubber as standard.
  - Top limit switch on overhead bar prevent damaging vehicle roof.
  - Foot guard as CE standard.

## 细节说明 Details



- ① 手动双边解锁，下置式解锁钢丝  
Manual two sides lock release Underlying release cable
- ② 车门保护橡胶  
Door Opening Protection Rubber
- ③ 内置式油管保护罩  
Built-in pipeline protection cover
- ④ 24V高度限位开关  
24V top limit switch
- ⑤ 二节螺旋举升托垫  
2-stage Screw-up pads
- ⑥ 节流阀  
Parachute valve

## 外形尺寸 Dimension



技术参数 Technical Data		
举升重量	Lifting capacity	4000kg
举升高度	Lifting height	1800mm
最低高度	Min. height	100mm
上升时间	Lifting time	<50s
电机功率	Motor power	2.2kw
安装宽度	Mount width	3380mm
立柱高度	Height of post	3724mm
立柱间距	Width between post	2830mm
下降时间	Lowering time	<40s
电压	Power supply	220V/240V/380V/415V

4000 kg  
380 V  
220 V

## SF-C4000MS

4T 双柱龙门式液压举升机/单边解锁  
Electro-Hydraulic 2 Post Lift Clear Floor Plate Type, Manual Single Side Lock Release



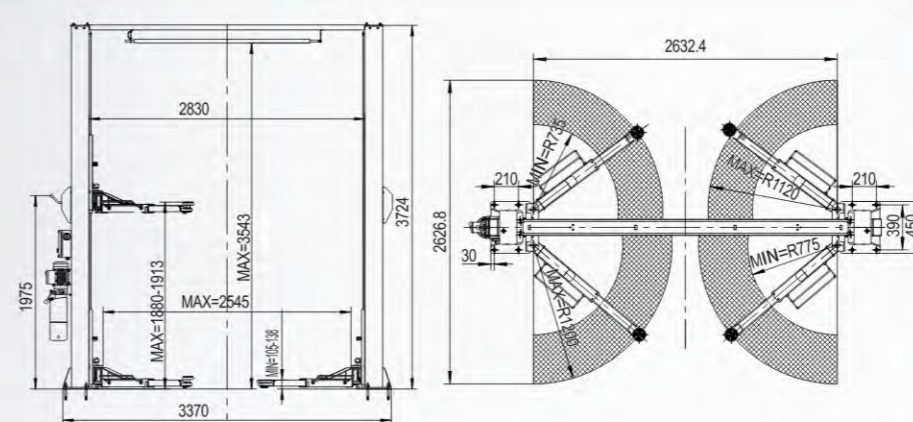
- 单边解锁，使操作更为简便。
  - 托臂自锁结构，上升时自动锁紧，下降到地面时自动解锁。
  - 三节螺旋举升托垫可以轻松调节高度，更容易定位汽车支撑点，适合于更多的低底盘车辆。
  - 油缸端头装有节流阀，即便油管突然爆裂，也能确保安全。
  - 橡胶车门防撞垫作为标准配置，能有效地保护车门的损伤。
  - 高度限位开关有效地防止车顶损坏。
  - 油缸链条保护罩有效地保护油缸，确保设备外观整洁。
  - 链条防护帘作为CE标准配置。
  - 托臂防压脚作为CE标准配置。
- Manual lock release from single side, more convenient for operation.
  - Automatic arm restraints, lifting arm automatically engages when lift is raised, and disengaged when lift lowered to the ground.
  - 3-stage Screw-up pads suitable for low chassis vehicle and makes easy and quick service.
  - Parachute valve that equipped in hydraulic joint ensures safety in case of oil hose broken.
  - Door opening protection rubber as standard.
  - Top limits switch on overhead bar prevent damaging vehicle roof.
  - Chain guard protects the cylinder and makes lift in good appearance.
  - Chain protection curtain as CE standard.
  - Foot guard as CE standard.

## 细节说明 Details



- ① 手动单边解锁  
Manual lock release from single side
- ② 高度限位开关  
Top Limit Switch
- ③ 更合理的保险锁结构  
More reasonable safety lock structure
- ④ 三节螺旋举升托垫  
3-stage Screw-up pads
- ⑤ 橡胶车门防撞垫/高精度5度托臂锁齿  
Door opening protection rubber/High-precision 5 degree arm lock
- ⑥ 节流阀  
Parachute valve

## 外形尺寸 Dimension



技术参数 Technical Data		
举升重量	Lifting capacity	4000kg
举升高度	Lifting height	1880mm
立柱高度	Height of post	3724mm
立柱间距	Width between post	2830mm
安装宽度	Mount width	3380mm
最低高度	Min. height	105mm
上升时间	Lifting time	<50s
下降时间	Lowering time	<40s
电机功率	Motor power	2.2kw
电压	Power supply	220V/240V/380V/415V

## SF-C4000ES

4T 双柱龙门式液压举升机/电动解锁  
Electro-Hydraulic 2 Post Lift Clear Floor Type, Automatic Lock Release



4000 kg

Electric

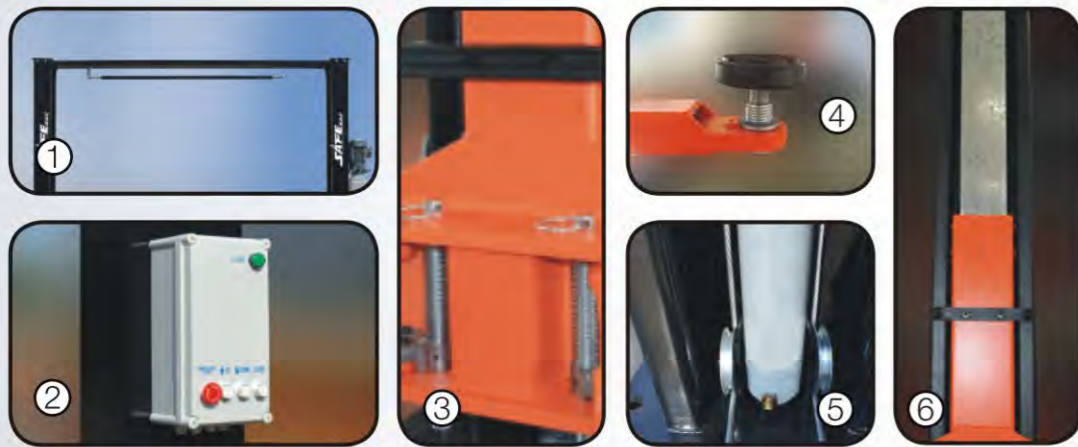
380 V

220 V

- 电动解锁，只需按上升/下降按钮来实现操作。
- 托臂自锁结构，上升时自动锁紧，下降到地面时自动解锁。
- 三节螺旋举升托垫可以轻松调节高度，更容易定位汽车支撑点，适合于更多的低底盘车辆。
- 油缸端头装有节流阀，即便油管突然爆裂，也能确保安全。
- 橡胶车门防撞垫作为标准配置，能有效地保护车门的损伤。
- 高度限位开关有效地防止车顶损坏。
- 油缸链条保护罩有效地保护油缸，确保设备外观整洁。
- 托臂防压脚作为CE标准配置。

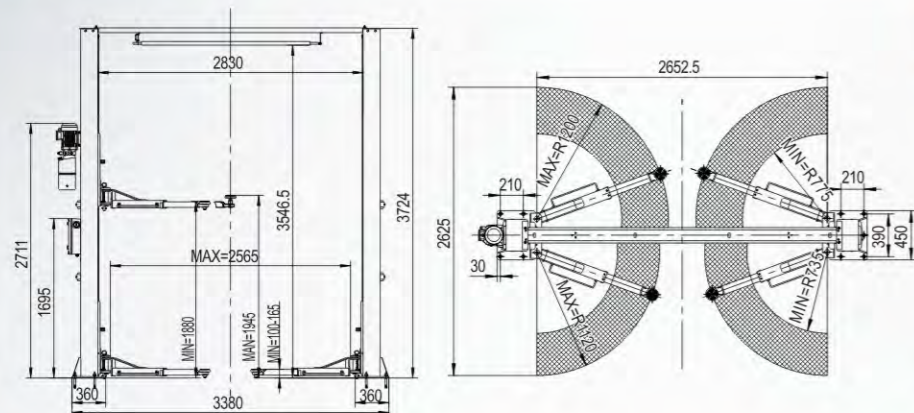
- Automatic lock release, only press UP/DOWN button for operation.
- Automatic arm restraints, lifting arm automatically engages when lift is raised, and disengaged when lift lowered to the ground.
- 3-stage screw-up pads suitable for low chassis vehicle and makes easy and quick service.
- Parachute valve equipped in hydraulic joint ensures safety in case of oil hose broken.
- Door opening protection rubber as standard.
- Top limit switch on overhead bar prevent damaging vehicle roof.
- Chain guard protects the cylinder and makes lift in good appearance.
- Foot guard as CE standard.

## 细节说明 Details



- ① 高度限位开关  
Top limit switch
- ② 24V低压控制系统(电动解锁)  
24V low voltage control system  
(Automatic lock release)
- ③ 加强型滑台/车门防撞橡胶垫  
Strengthen carriage/Door opening protection rubber
- ④ 三节螺旋举升托垫  
3-stage Screw-up pads
- ⑤ 节流阀  
Parachute valve
- ⑥ 车门保护垫链防护装置  
Door protection pad & chain guard

## 外形尺寸 Dimension



## 技术参数 Technical Data

举升重量	Lifting capacity	4000kg
举升高度	Lifting height	1880mm
最低高度	Min. height	100mm
上升时间	Lifting time	<50s
电机功率	Motor power	2.2kw
安装宽度	Mount width	3380mm
立柱高度	Height of post	3724mm
立柱间距	Width between post	2830mm
下降时间	Lowering time	<40s
电压	Power supply	220/240/380/415v

4500 kg

380 V

220 V

## SF-C4500MS

4.5T 双柱龙门式液压举升机/单边解锁  
Electro-Hydraulic 2 Post Lift Clear Floor Plate Type,  
Manual Single Side Lock Release



- 单边解锁，使操作更为简便。
- 托臂自锁结构，上升时自动锁紧，下降到地面时自动解锁。
- 三节螺旋举升托垫可以轻松调节高度，更容易定位汽车支撑点，适合于更多的低底盘车辆。
- 标配2+3节托臂。
- 油缸端头装有节流阀，即便油管突然爆裂，也能确保安全。
- 橡胶车门防撞垫作为标准配置，能有效地保护车门的损伤。
- 高度限位开关有效地防止车顶损坏。
- 油缸链条保护罩有效地保护油缸，确保设备外观整洁。
- 链条防护帘作为CE标准配置。
- 托臂防压脚作为CE标准配置。

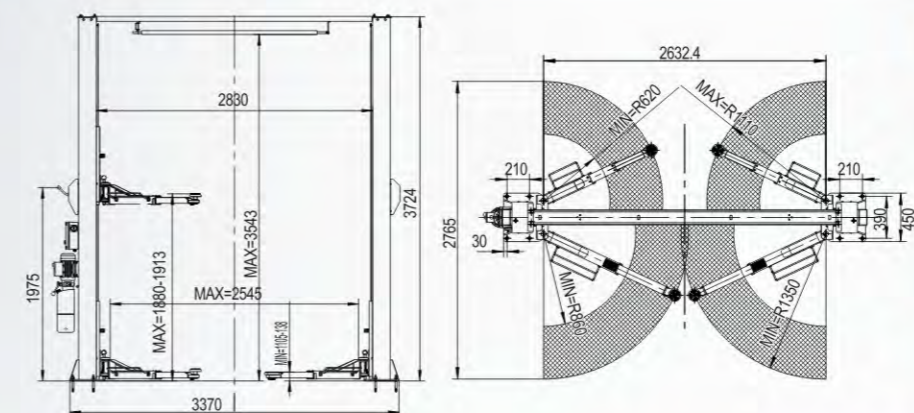
- Manual lock release from single side, more convenient for operation.
- Automatic arm restraints, lifting arm automatically engages when lift is raised, and disengaged when lift lowered to the ground.
- 3-stage Screw-up pads suitable for low chassis vehicle and makes easy and quick service.
- 2+3 stage arm as standard.
- Parachute valve that equipped in hydraulic joint ensures safety in case of oil hose broken.
- Door opening protection rubber as standard.
- Top limits switch on overhead bar prevent damaging vehicle roof.
- Chain guard protects the cylinder and makes lift in good appearance.
- Chain protection curtain as CE standard.
- Foot guard as CE standard.

## 细节说明 Details



- ① 手动单边解锁  
Manual lock release from single side
- ② 高度限位开关  
Top Limit Switch
- ③ 更合理的保险锁结构  
More reasonable safety lock structure
- ④ 三节螺旋举升托垫  
3-stage Screw-up pads
- ⑤ 橡胶车门防撞垫/高精度5度托臂锁齿  
Door opening protection rubber/high-precision 5 degree arm lock
- ⑥ 节流阀  
Parachute valve

## 外形尺寸 Dimension



## 技术参数 Technical Data

举升重量	Lifting capacity	4500kg
举升高度	Lifting height	1880mm
立柱高度	Height of post	3724mm
立柱间距	Width between post	2830mm
安装宽度	Mount width	3380mm
最低高度	Min. height	105mm
上升时间	Lifting time	<50s
下降时间	Lowering time	<40s
电机功率	Motor power	3kw
电压	Power supply	220/240/380/415v

## SF-C6000ES

6T 双柱双缸举升机/电动解锁  
Electro-Hydraulic 2 Post Lift Clear Floor Type, Automatic Lock Release



6000 kg

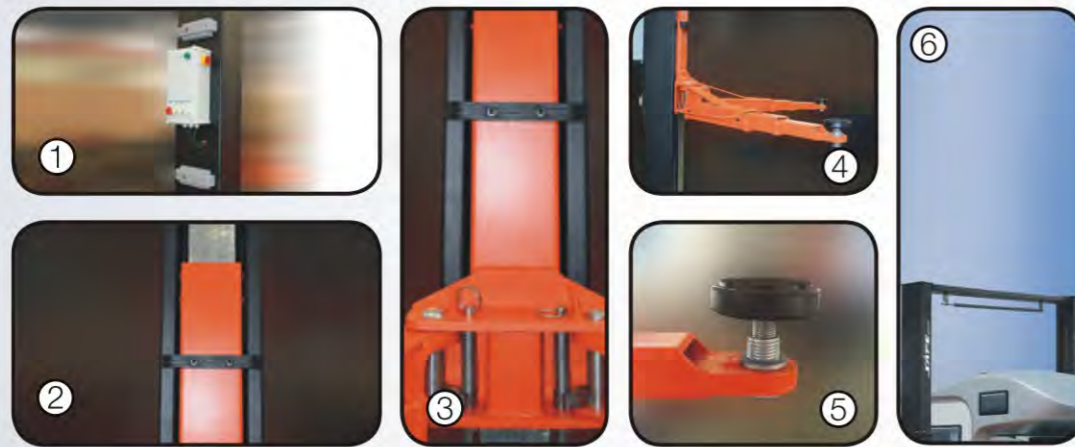


380 V

220 V

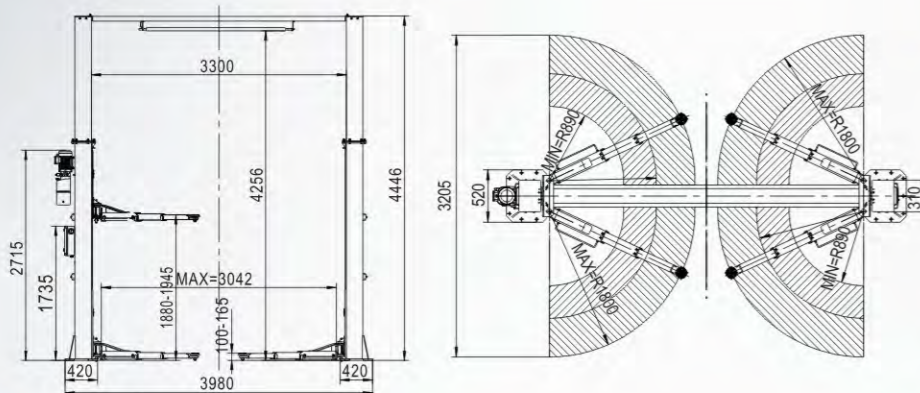
- 电动解锁，只需按上升和下降按钮来实现操作。
  - 托臂自锁结构，上升时自动锁紧，下降到地面时自动解锁。
  - 三节螺旋举升托垫可以轻松调节高度，更容易定位汽车支撑点，适合于更多的低底盘车辆。
  - 油缸端头装有节流阀，即便油管突然爆裂，也能确保安全。
  - 橡胶车门防撞垫作为标准配置，能有效的保护车门的损伤。
  - 链条防护帘作为CE标准配置。
  - 托臂防压脚作为CE标准配置。
- Automatic lock release, just press Up and Down button to operate the lift.
  - Automatic arm restraints, lifting arm automatically engages when lift is raised, and disengaged when lift lowered to the ground.
  - 3-stage Screw-up pads suitable for low chassis vehicle and makes easy and quick service.
  - Parachute valve that equipped in hydraulic joint ensures safety in case of oil hose broken.
  - Door opening protection rubber as standard.
  - Chain protection curtain as CE standard.
  - Foot guard as CE standard.

## 细节说明 Details



- ① 24V低压控制系统(电动解锁)  
24v low voltage control system
- ② 车门保护垫链防护装置  
Door protection pad & chain guard
- ③ 加强型滑台内置锁  
Strengthen carriage Inner arm lock
- ④ 三节托臂带防压脚  
3-stage telescopic arm Foot protection
- ⑤ 三节螺旋举升托垫  
3-stage screw-up lifting pad
- ⑥ 高度限位开关  
Height limited switch

## 外形尺寸 Dimension



## 技术参数 Technical Data

举升重量	Lifting capacity	6000kg
举升高度	Lifting height	1880mm
最低高度	Min. height	100mm
上升时间	Lifting time	<55s
电机功率	Motor power	3kw
安装宽度	Mount width	3980mm
立柱高度	Height of post	4446mm
立柱间距	Width between post	3300mm
下降时间	Lowering time	<50s
电压	Power supply	220/380v 1/3phase

3000 kg

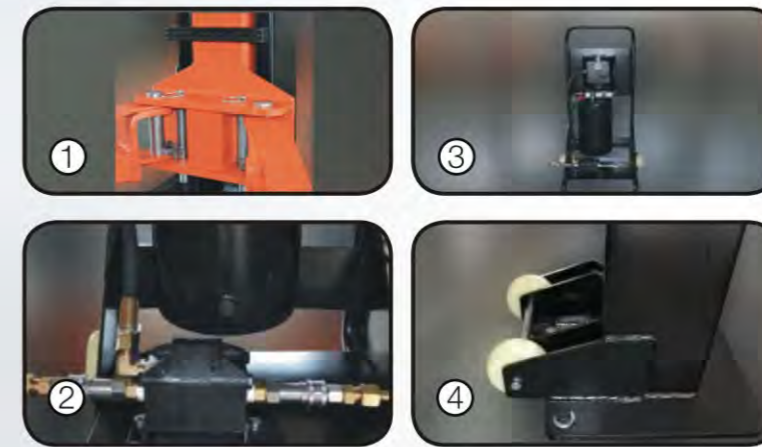


380 V

220 V

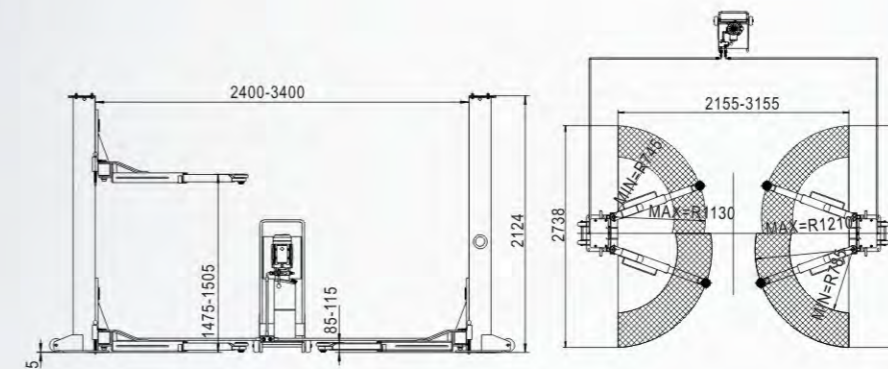
- 手动双边解锁。
  - 可移动式设计，操作更为简便。
  - 立柱间无底座，宽度可轻松调节。
  - 动力单元放置在移动推车上。
  - 最低高度85MM，适合更多低底盘车型。
  - 举升高度1505MM，总高2124MM。
- Manual two sides lock release.
  - Easy operation with movable column.
  - No base plate between columns, width to be easily adjustable.
  - Mobile trolley for power unit.
  - Lowest lifting height at 85mm for more low chassis vehicles.
  - Lifting height 1505mm, overall height 2040mm.

## 细节说明 Details



- ① 加强型滑台/车门保护橡胶  
Strengthen carriage/door opening protection rubber
- ② 平衡阀  
Balance valve
- ③ 动力单元移动推车  
Mobile trolley for power unit
- ④ 移动轮组  
Mobile wheel kit

## 外形尺寸 Dimension



## 技术参数 Technical Data

举升重量	Lifting capacity	3000kg
举升高度	Lifting height	1505mm
最低高度	Min. height	85mm
上升时间	Lifting time	35s
电机功率	Motor power	2.2kw
电压	Power supply	220v/380v

## SF-BM3000

移动式双柱举升机  
Two Post Mobile Lift



# SF-L3000

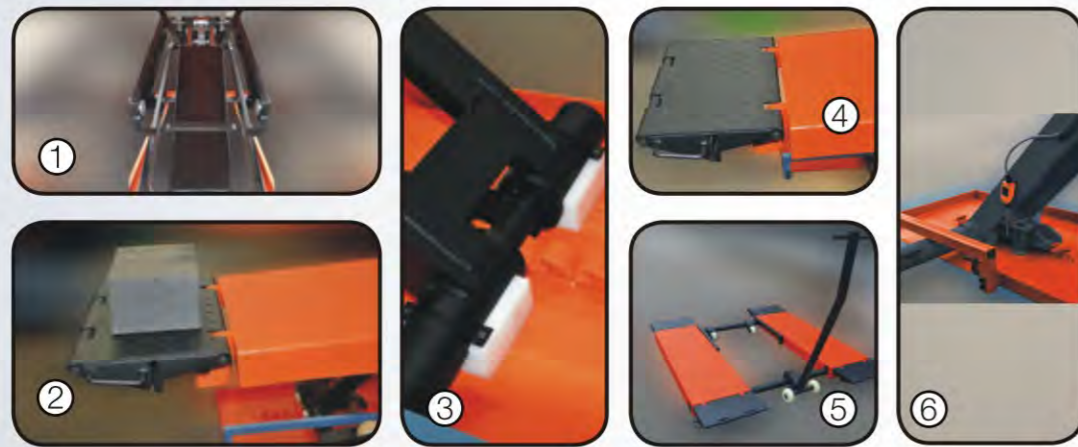
中位小剪举升机  
Mid-rise scissors lift



3000 kg  
Electric  
380 V  
220 V

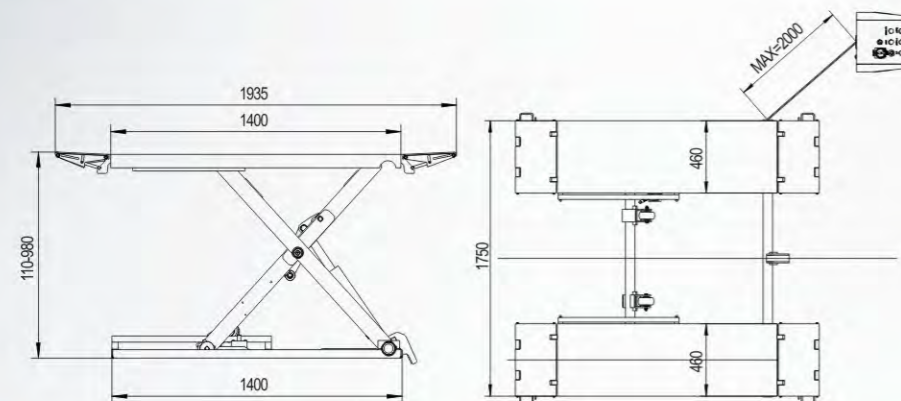
- 地表安装，最低高度110mm。
  - 机械锁装置上升时自动锁紧，下降时通过电动解锁，安全可靠。
  - 所有的活动关节都装有自润轴承，定期保养会延长使用寿命。
  - 可支撑引桥可以适用于更多长轴距车辆。
  - 可选的移动组可以轻松移动举升机。
  - 中间的连接杆确保稳定性和同步性能。
  - 下降蜂鸣器作为CE标准的选配装置。
- Surface mounting at minimum height of 110mm.
  - Mechanical safety lock engaged automatically, with electrical release when lowering.
  - All pivot joints made with self-lubrication bushing ensure long service life.
  - Optional mobile kit for easy moving.
  - Extendable platform suitable for more long chassis vehicles.
  - The middle steel bar connects two platform ensure stability and synchronization.
  - Lowering beeper as optional for CE standard.

细节说明 Details



- ① 油缸保护罩  
Cylinder protection cover
- ② 发泡橡胶垫  
Rubber pad
- ③ 机械安全锁  
Mechanical Safety lock
- ④ 加强延伸平台  
Strengthen extended ramp
- ⑤ 移动组(可选)  
Mobile kit(optional)
- ⑥ 蜂鸣器(可选)  
Lowering beeper(optional)

外形尺寸 Dimension



技术参数 Technical Data		
举升重量	Lifting capacity	3000kg
举升高度	Lifting height	1000mm
最低高度	Min. height	110mm
上升时间	Lifting time	20s
下降时间	Lowering time	20s
电机功率	Motor power	2.2kw
电压	Power supply	220v/380v 1/3phase

2800 kg  
Manual  
380 V  
220 V

# SF-K2800

移动式小剪举升机  
Portable Scissor Lift



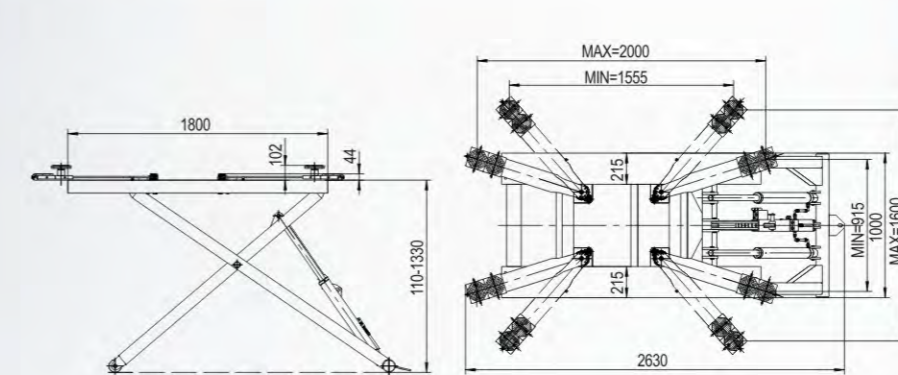
- SF-K2800是一款最理想的适合于轮胎快速服务的举升设备。
  - 最低高度110mm。
  - 机械锁装置上升时自动锁紧，下降时通过手动解锁，安全可靠。
  - 螺旋举升托垫可以轻松调节高度，更容易定位汽车支撑点。
  - 移动组与动力单元的完美结合可以轻松移动举升机。
- SF-K2800 is a ideal lifting equipment for tire changing and quick service.
  - Minimum height of 110mm.
  - Mechanical safety lock engaged automatically, with manual release when lowering.
  - Screw-up pads makes easy and quick service.
  - The mobile kits is perfectly combined with power , unitthat makes the lift easily moved.

细节说明 Details



- ① 可移动举升托臂  
Portable lifting arm
- ② 机械保险装置  
Mechanical safety lock
- ③ 移动组  
Mobile kit
- ④ 油管装置  
Hose connection
- ⑤ 滑动轮  
Sliding wheel
- ⑥ 标配节套式托盘  
Standard section pad
- ⑦ 24V控制盒(可选)  
24V Control box (optional)

外形尺寸 Dimension



技术参数 Technical Data		
举升重量	Lifting capacity	2800kg
举升高度	Lifting height	1330mm
最低高度	Min. height	110mm
上升时间	Lifting time	30s
长度	Length	2550mm
宽度	Width	1000mm
电压	Power supply	220v/240v/380v/415v

# SF-E3500

藏地式小剪举升机  
In-ground Scissor Lift

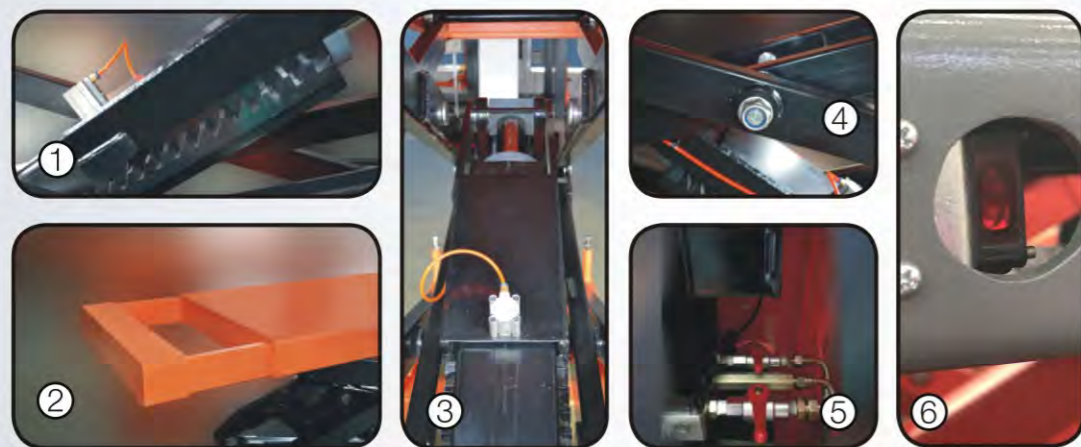


**3500 kg**  
⚡ 380 V  
⚡ 220 V

- 藏地式安装, 节省空间。
- 机械锁装置上升时自动锁紧, 下降时通过气动解锁, 安全可靠。
- 可延长的举升平台可以适用于更多长轴距车辆。
- 所有的活动关节都装有自润轴承, 定期保养会延长使用寿命。
- 双抽拉举升平台为可选配置。

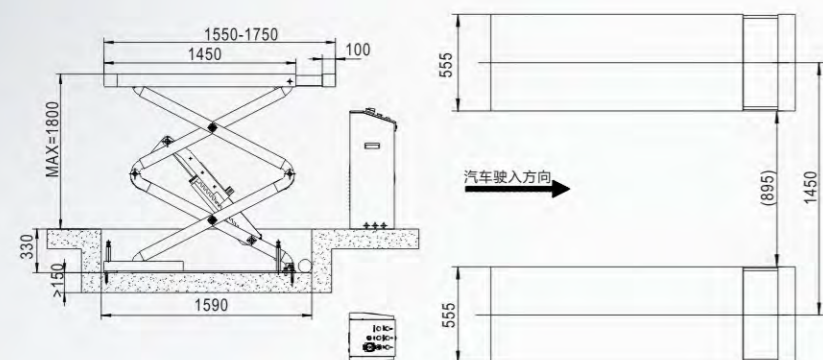
- In-ground mounting, saving space.
- Mechanical safety lock engaged automatically, with pneumatic release when lowering.
- Extendable platform suitable for more long chassis vehicles.
- All pivot joints made with self-lubrication bushing ensure long service life.
- Double extendable platform as option.

细节说明 Details



- ① 机械锁装置  
Mechanical safety lock
- ② 可延长的举升平台  
Extendable platform
- ③ 气动解锁  
Pneumatic release
- ④ 活动关节都装有自润轴承  
Joints with self-lubrication bushing
- ⑤ 进口球阀  
Imported valve
- ⑥ 光电开关(可选)  
Photocell switch(Optional)

外形尺寸 Dimension



技术参数 Technical Data		
举升重量	Lifting capacity	3500kg
举升高度	Lifting height	1800mm
台面长度	Table length	1550-1750mm
台面宽度	Table width	555mm
上升时间	Lifting time	<50s
电机功率	Motor power	2.2kw
电压	Power supply	220v/380v

# SF-F3000

超薄小剪举升机  
Low Profile Scissor Lift, Surface Mounting

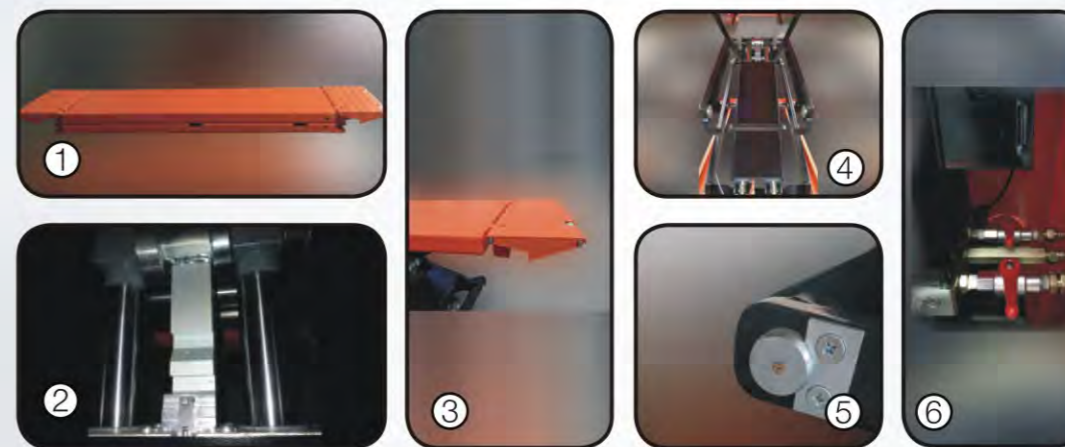


**3000 kg**  
⚡ 380 V  
⚡ 220 V

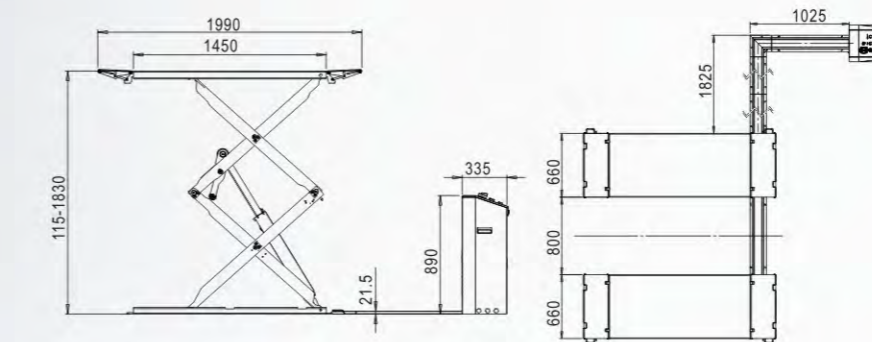
- 地表安装, 最低高度110mm。
- 机械装置上升时自动锁紧, 下降时通过气动解锁, 安全可靠。
- 可支撑引桥可以适用于更多长轴距车辆。
- 所有的活动关节都装有自润轴承, 定期保养会延长使用寿命。
- 下降蜂鸣器作为CE选配装置。
- 自动调平液压系统为选配。

- Surface mounting, Minimum height of 110mm.
- Mechanical safety lock engaged automatically, with pneumatic release when lowering.
- Extendable platform suitable for more long chassis vehicles.
- All pivot joints made with self-lubrication bushing ensure long service life.
- Lowering beeper as optional for CE standard.
- Automatically synchronization system as optional.

细节说明 Details



- ① 最低高度110mm  
Min height at 110mm
- ② 机械锁装置  
Mechanical safety lock
- ③ 可延长的举升平台  
Extendable platform
- ④ 油缸保护罩  
Cylinder guard
- ⑤ 活动关节都装有自润轴承  
Joints with self-lubrication bushing
- ⑥ 进口球阀  
Imported valve



技术参数 Technical Data		
举升重量	Lifting capacity	3000kg
举升高度	Lifting height	1830mm
最低高度	Min. height	110mm
台面长度	Table length	1450-1990mm
台面宽度	Table width	660mm
上升时间	Lifting time	<50s
电机功率	Motor power	2.2kw
电压	Power supply	220v/380v

# SF-H4000

4T 子母式大剪举升机  
Two Level Alignment Scissor Lift, In-Ground Mounting



4000 kg  
380 V  
220 V

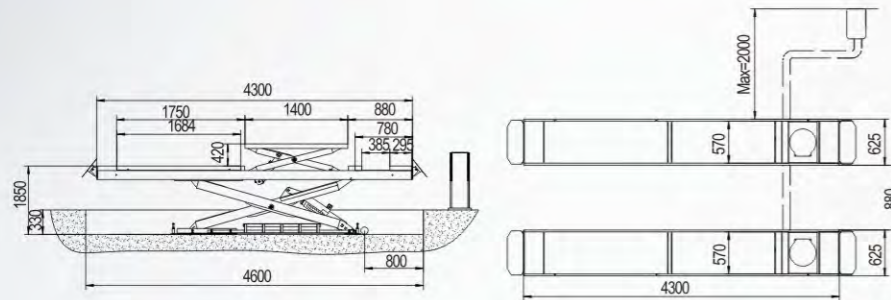
- 藏地式安装或选配上车引桥直接安装在地面。
- 可调的转角盘位置和侧滑板为四轮定位专用配置。
- 机械锁装置上升时自动锁紧，下降时通过气动解锁，安全可靠。
- 所有的活动关节都装有自润轴承，定期保养会延长使用寿命。
- 下降蜂鸣器作为CE标准配置。
- In-ground mounting, or surface mounting with the optional entering ramp.
- Adjustable turn plate position and sliding plate specially for 4 wheel Alignment purpose.
- Mechanical safety lock engaged automatically, with pneumatic release when lowering.
- All pivot joints made with self-lubrication bushing ensure long service life.
- Lowering beeper as optional for CE standard.

细节说明 Details



- ① 二次举升小车  
Rolling Jack
- ② 机械安全锁  
Mechanical safety lock
- ③ 上车板  
Entering Ramp
- ④ 更长的平台用于定位  
Long platform for alignment
- ⑤ 气阀解锁  
Pneumatic release
- ⑥ 转角盘(可选)  
Turn plate(optional)

外形尺寸 Dimension



技术参数 Technical Data		
举升重量	Lifting capacity	4000kg
举升高度	Lifting height	1850+420mm
最低高度	Min. height	330mm
跑道长度	Platform length	4300mm
上升时间	Lifting time	50s
下降时间	Lowering time	45s
电机功率	Motor power	2.2kw
电压	Power supply	220V/380v, 1/3phase

2500 kg  
Manual  
380 V  
220 V

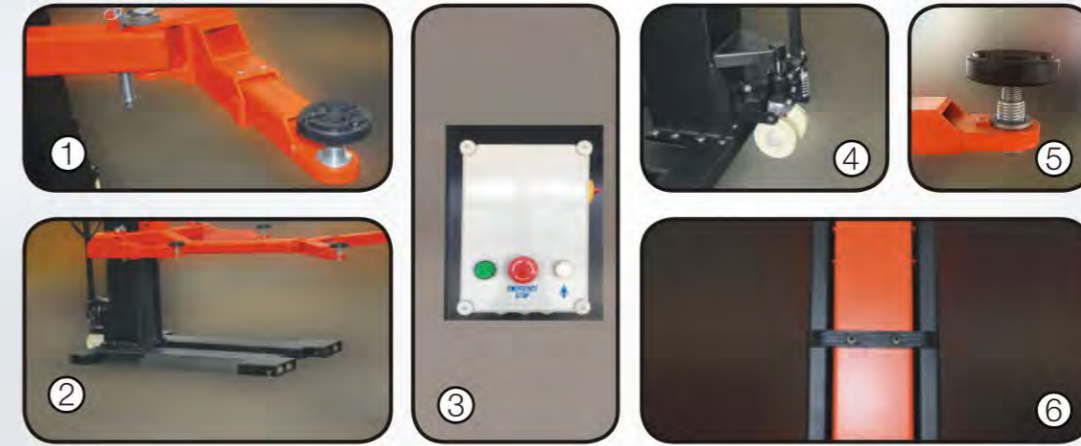
# SF-M2500

2.5T 移动单柱液压举升机/手动解锁  
Mobile Single Post Lift, Manual Lock Release



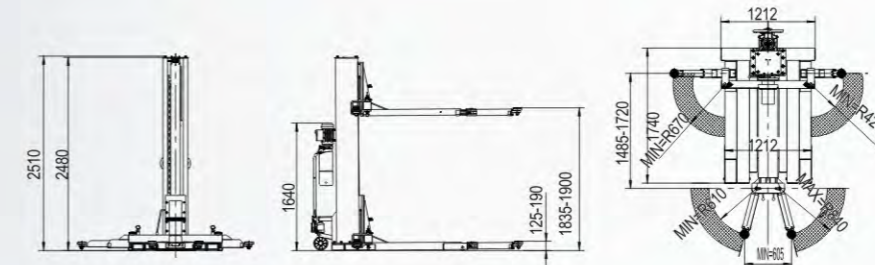
- 移动式设计能有效地节省空间，举升机可以轻松移动到任意位置进行维修。
- 单柱结构给予车门更多空间。
- 手动解锁。
- 24V控制系统符合CE标准。
- 采用85MM高度的底座，将最低举升高度控制在100MM。
- 三节螺旋举升托垫可以轻松调节高度，更容易定位汽车支撑点，适合于更多的低底盘和SUV车辆。
- 24V高度限位开关能有效保护油缸，延长使用寿命。
- 油缸链条保护罩有效地保护油缸，确保设备外观整洁。
- 车门防撞垫。
- CE认证。
- Mobile design is ideal choice for tight space, easily moving as a pallet.
- One post structure gives more free access to vehicle door.
- Manual lock release system.
- 24V control system compliance with CE standard.
- 85mm low base frame with min. height <110mm.
- 3-stage Screw-up pads makes easy and quick service for low chassis vehicles as well as SUVs.
- 24V top limited switch protects the cylinder in long service lift.
- Chain guard protects the cylinder and makes lift in good appearance.
- Door protection pads.
- CE-Certificate.

细节说明 Details



- ① 可调节旋转支臂  
Telescopic & Swivel arms
- ② 80mm厚度底板  
80mm strong base frame
- ③ 24V控制盒  
24V Control box
- ④ 移动组  
Mobile wheel kit
- ⑤ 三节螺旋举升托垫  
3-stage Screw-up Pads
- ⑥ 车门防撞垫链防护装置  
Door protection pad & chain guard

外形尺寸 Dimension



技术参数 Technical Data		
举升重量	Lifting capacity	2500kg
举升高度	Lifting height	1850mm
最低高度	Min. height	125mm
上升时间	Lifting time	35s
下降时间	Lowering time	30s
电机功率	Motor power	2.2kw
电压	Power supply	220v/380v

# SF-M2500ES

2.5T 移动单柱液压举升机/电动解锁  
Mobile Single Post Lift, Automatic Lock Release



2500 kg  
Electric  
380 V  
220 V

- 移动式设计能有效节省空间，举升机可以轻松移动到任意位置进行维修。
- 单柱结构给予车门更多空间。
- 采用85MM高度的底座，将最低举升高度控制在100MM。
- 三节螺旋举升托垫可以轻松调节高度，更容易定位汽车支撑点，适合于更多的低底盘车。
- 24V高度限位开关能有效保护油缸，延长使用寿命。
- 油缸保护罩为标准配置。
- 电控箱。
- 车门防撞垫。
- 节流阀。
- CE认证。

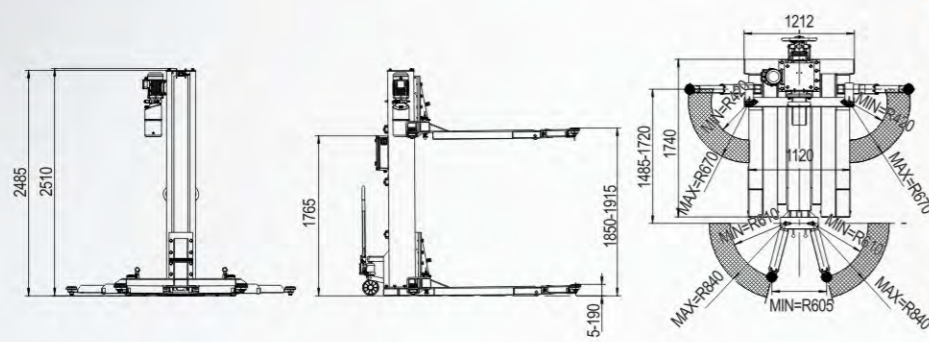
- Mobile design is ideal choice for tight space, easily moving as a pallet .
- One post structure gives more free access to vehicle door.
- 85mm low base frame with min. height <110mm.
- 3-stage Screw-up pads makes easy and quick service for low chassis vehicles as well as SUVs.
- 24V top limited switch protects the cylinder in long service lift.
- Column chain guard.
- Control Box.
- Door protection pads.
- Parachute valve .
- CE-Certificate.

细节说明 Details



- ① 可调节旋转臂  
Telescopic & Swivel arms
- ② 80mm厚度底板  
80mm strong base frame
- ③ 24V低压控制系统  
24v low voltage control system
- ④ 移动组  
Mobile wheel kit
- ⑤ 三节螺旋举升托垫  
3-stage Screw-up Pads
- ⑥ 车门保护垫链防护装置  
Door protection pad & chain guard

外形尺寸 Dimension



技术参数 Technical Data		
举升重量	Lifting capacity	2500kg
举升高度	Lifting height	1850mm
最低高度	Min. height	125mm
上升时间	Lifting time	35s
下降时间	Lowering time	30s
电机功率	Motor power	2.2kw
电压	Power supply	220v/380v

# 4SF-4000B/4SF-5000B

4T/5T四轮定位专用四柱举升机  
Electro-Hydraulic 4 Post Lift For Wheel Alignment

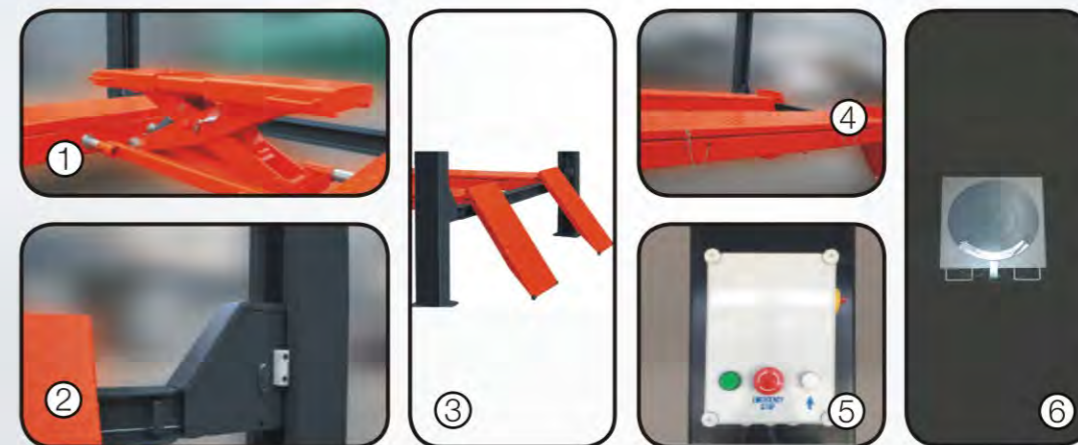


4000/5000 kg  
Manual  
380 V  
220 V

- 手动单边解锁。
- 两个平台间的宽度可以调节以适应于不同轴距的车辆。
- 每个立柱内都安装机械保险装置。
- 可调的转角盘位置和侧滑板为四轮定位专用配置。
- 前后挡板在车辆维修时能有效地起到保护作用。
- 二次举升小车作为标准配置。
- 进口的三通阀极好的完成了举升机和小车间的转换操作。

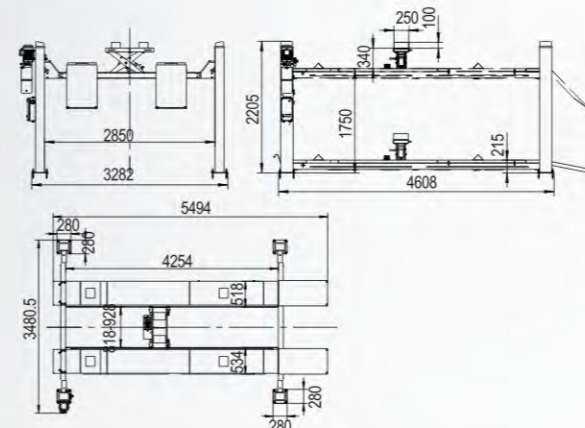
- Single point manual lock release.
- Width between two platforms is adjustable to be fit for different vehicle.
- Mechanical safety lock installed in each column.
- Adjustable turnplate position and sliding plate specially for 4 wheel Alignment purpose.
- Front and rear stop plate well protect the vehicle during repairing.
- Center rolling jack including as standard.
- Imported three-way valve perfectly shift the operation between lift and rolling jack.

细节说明 Details



- ① 可调节二次举升小车  
Length adjustable rolling jack
- ② 安全锁装置  
Safety Lock Device
- ③ 上车板  
Entering ramp
- ④ 侧滑板用于定位  
Sliding plate for alignment
- ⑤ 24V低压控制系统(可选)  
24V low voltage control system(optional)
- ⑥ 转角盘(可选)  
Turn plate(optional)

外形尺寸 Dimension



技术参数 Technical Data			
型号	Model	4SF-4000B	4SF-5000B
最低高度	Min. heigh	215mm	215mm
举升高度	Lifting capacity	1750mm	1750mm
车道长度	Runway length	4250mm	5000mm
车道内宽度	Runway width	918-1118mm	918-1118mm
单车道宽度	Unilateral runway width	480mm	480mm
最大通车宽度	Max. through width	2850mm	2850mm
上升时间	Lifting time	70s	70s
电机功率	Motor power	2.2kw	2.2kw
电压	Power supply	220/240/380v/415V	220/240/380v/415V

## 4SF-4000C

4T 停车型四柱举升机  
Electro-Hydraulic 4 Post Parking Lift

4000 kg Manual

380 V

220 V



- 具有家用停车、储存及车库维修等多种用途的极佳设备。
- 有效地节省空间，两台车辆仅占用一个停车位。
- 可移动设计，更方便家庭使用。
- 手动单边解锁。
- 每个立柱内都安装机械保险装置。
- 附加的小车托盘特别适用于轮胎和应急维修。
- 附加的积油托盘能有效地保护停在下面的车辆免受顶部车辆渗油或泥水的污染。

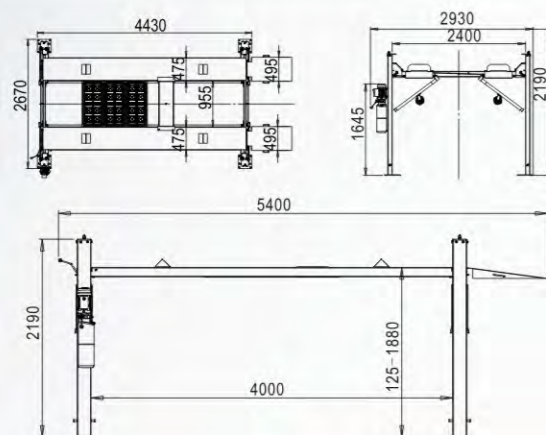
- Perfect equipment for parking, storage and garage service.
- Spacing saving, one parking space for two cars.
- Portable design, more convenient for household use.
- Single point manual lock release.
- Mechanical safety lock installed in each column.
- Free jack tray specially for tire and break work.
- Free drip trays protect the bottom vehicle from oil leaking and muddy water of upper vehicle.

## 细节说明 Details



- ① 内置锁装置  
Inner lock device
- ② 停车挡板  
Stop plate
- ③ 积油盘  
Drip trays
- ④ 移动轮装置  
Mobile kit
- ⑤ 二次举升小车(可选)  
Rolling jack (optional)
- ⑥ 24V控制盒(可选)  
24V Control box(optional)

## 外形尺寸 Dimension



## 技术参数 Technical Data

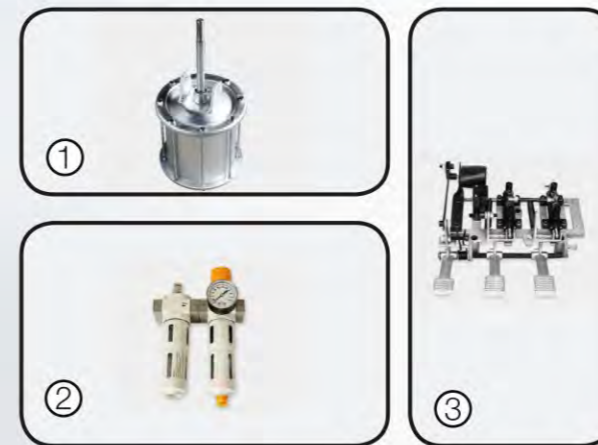
举升重量	Lifting capacity	4000kg
举升高度	Lifting height	1880mm
总长度	Overall length	4430mm
立柱高度	Height of post	2190mm
车道宽度	Runway width	955mm
安装宽度	Mount width	5400*2930mm
上升时间	Lifting time	70s
电机功率	Motor power	2.2kw
电压	Power supply	220/240/380v/415V

380 V 220 V  
10"-24" 10"-22"

- 高品质的CE证书。
- 24"用于汽车和货车的大型转盘。
- 摆臂式设计。
- 延伸拆装头。
- 四卡爪设计，带自定心功能。
- 双气缸设计，增加 40% 以上的卡爪装夹力量。
- 夹钳由特殊缸制成。
- 双向气缸控制压胎铲。

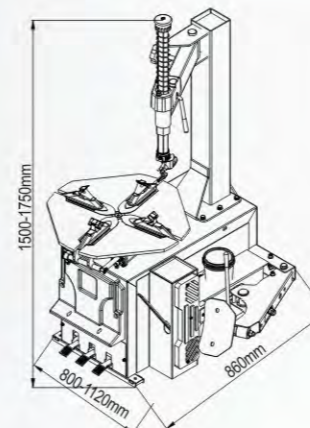
- High quality with CE certificate.
- 24" large turntable for cars and vans.
- Side swing mounting arm design.
- Eccentric tension of mounting head.
- Self centered 4 clamping jaws function .
- Dual-cylinder design increasing up to 40% more jaw clamping power.
- Clamping jaws made of special steel.
- Two-way cylinder control tire shovel.

## 细节说明 Details



- ① 2500Kg铝合金材质大气缸  
Big aluminum cylinder force 2500kgs
- ② 全铝制防爆油水分离器  
Aluminum oil/water filter
- ③ 抽屜式踏板组设计方便维护保养  
Added side pedal for better operation

## 外形尺寸 Dimension



## 技术参数 Technical Data

外卡范围	Rim clamping outer	10"-22"
内撑范围	Rim clamping Inner	12"-24"
最大轮胎直径	Max. Tyre diameter	1100mm/43"
最大轮胎宽度	Max. Tyre width	380mm/13"
充气最大压力	Working air pressure	3.5bar
压胎铲作用力(10bar时)	Bead break cylinder force	2500kg
电源电压	Power supply	220V/380V
电机功率	Motor power	1.1kw/0.75kw
设备重量	N.W.	190kg
包装箱尺寸	Dimension	1070×840×900mm



## RH-850

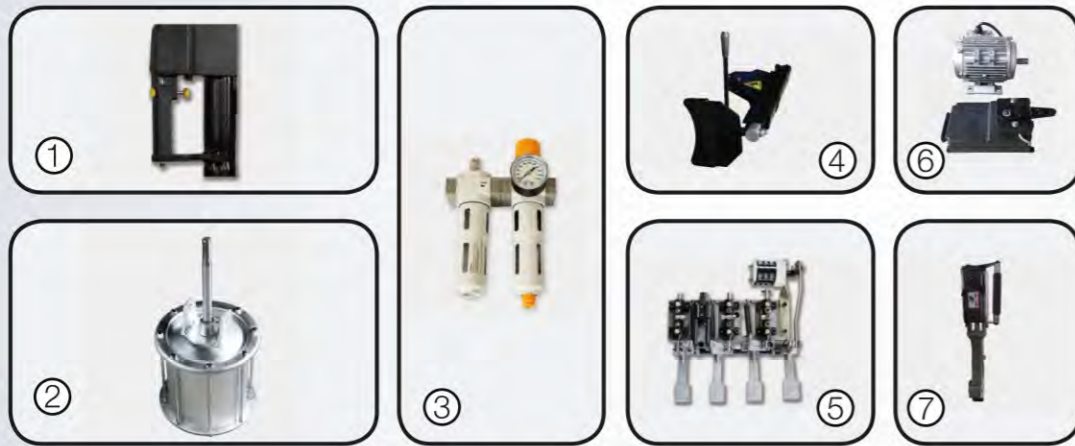


⚡ 380 V ⚡ 220 V  
⊕ 10"-24" ⊕ 10"-22"

- 高品质的CE证书。
- 24"用于汽车和货车的大型转盘。
- 后倾臂设计。
- 拆装臂气动锁紧装置，自动退缩设计，保证安全间隙。
- 抽屉式踏板组件设计，方便维护保养。
- 双向气缸控制压胎铲。
- 爪头/卡爪安装塑料保护。

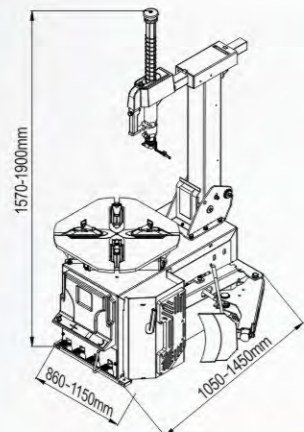
- High quality with CE certificate.
- 24" large turntable for cars and vans.
- Tilting mounting arm design.
- Pneumatic mounting head locking, automatic return design keep safe distance.
- Drawer pedal assembly design for easy maintenance.
- Two-way cylinder control tire shovel.
- Plastic protectors for mounting head/jaws.

## 细节说明 Details



- ① 气动锁紧，自动退缩设计  
Pneumatic lock to the sliding mounting column and horizontal beam
- ② 2500Kg 铝合金材质大气缸  
Big aluminum cylinder force 2500kgs
- ③ 全铝制防爆油水分离器  
Aluminum oil/water filter
- ④ 压胎铲双向气缸控制，压进推出同等力量保证  
Twin pipes ensure the bead breaker working force without delay
- ⑤ 抽屉式踏板组件设计，方便维护保养  
Added side pedal for better operation
- ⑥ 无级变速电机(可选)  
Inverter motor(optional)
- ⑦ 自动翻转鸟头(可选)  
Reversal mounting head(optional)

## 外形尺寸 Dimension



技术参数 Technical Data		
外卡范围	Rim Clamping Outer	10"-22"
内撑范围	Rim Clamping Inner	12"-24"
最大轮胎直径	Max. Tyre Diameter	1100mm/43"
最大轮胎宽度	Max. Tyre Width	390mm/15"
充气最大压力	Working Air Pressure	3.5bar
压胎铲作用力(10bar时)	Bead Breake Cylinder Force	2500kg
电源电压	Power Supply	220V/380V
电机功率	Motor Power	1.1kw/0.75kw
设备重量	N.W.	225kg
包装箱尺寸	Dimension	1070×840×900mm

## RH-850M



⚡ 380 V ⚡ 220 V  
⊕ 10"-24" ⊕ 10"-22"

- 高品质的CE证书。
- 24"用于汽车和货车的大型转盘。
- 可调节的倾斜臂。
- 拆装臂气动锁紧装置，自动退缩设计，保证安全间隙。
- 辅助臂设计提高工作效率。
- 完整机构的滑架设计，保证了辅助臂升降过程的稳定性。
- 自动升降拆装头选配。

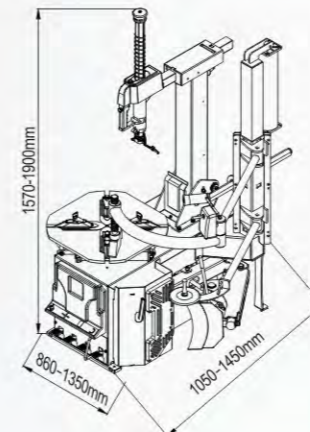
- High quality with CE certificate.
- 24" large turntable for cars and vans.
- Adjustable tilting arm.
- Pneumatic mounting head locking, automatic return design keep safe distance.
- Assistant arm design improve working efficiency
- The complete mechanism of the carriage design ensures the stability of the assistant arm during lifting.
- Automatic tension mounting head as optional.

## 细节说明 Details



- ① 气动锁紧，自动退缩设计  
Pneumatic lock to the sliding mounting column and horizontal beam
- ② 新款多功能辅助臂  
Upgraded the functional arm
- ③ 2500Kg 铝合金材质大气缸  
Big aluminum cylinder force 2500kgs
- ④ 全铝制防爆油水分离器  
Aluminum oil/water filter
- ⑤ 压胎铲双向气缸控制，压进推出同等力量保证  
Twin pipes ensure the bead breaker working force without delay
- ⑥ 抽屉式踏板组件设计，方便维护保养  
Added side pedal for better operation

## 外形尺寸 Dimension



技术参数 Technical Data		
外卡范围	Rim clamping outer	10"-22"
内撑范围	Rim clamping Inner	12"-24"
最大轮胎直径	Max. Tyre diameter	1100mm/43"
最大轮胎宽度	Max. Tyre width	390mm/15"
充气最大压力	Working air pressure	3.5bar
压胎铲作用力(10bar时)	Bead breake cylinder force	2500kg
电源电压	Power supply	220V/380V
电机功率	Motor power	1.1kw/0.75kw
设备重量	N.W.	305kg
包装箱尺寸	Dimension	1000×760×950mm 1370×400×370mm

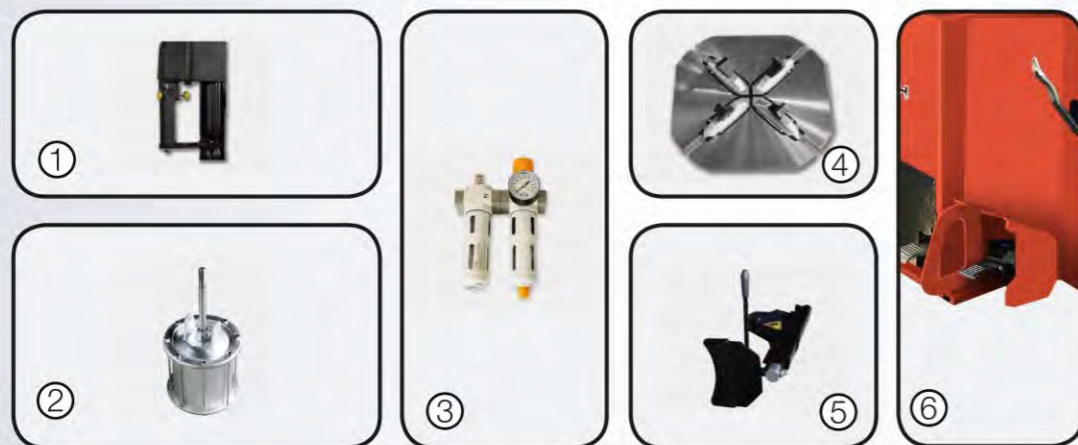
## RH-880



⚡ 380 V ⚡ 220 V  
⊕ 12"-28" ⊕ 10"-26"

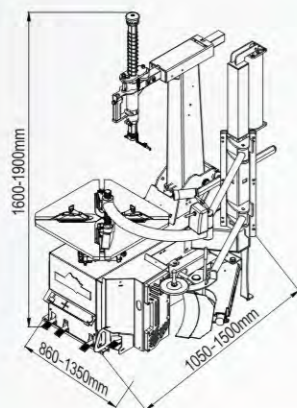
- 后倾臂设计, 最大程度地展开工作台上方操作空间, 没有任何阻挡, 避免在装夹轮胎时的意外伤害。
  - 梯形设计的操作臂支柱, 最为稳固的结构。
  - 拆装臂气动锁紧装置, 自动退缩设计, 保证安全间隙。
  - 底座与箱体一体化设计, 强化结构最优化抗变形能力。
  - 抽屉式踏板组件设计, 方便维护保养。
  - 卡爪开合控制踏板, 带有微调功能, 能够更精准地控制, 避免误伤轮胎。
  - 压胎铲控制踏板, 独立于其他踏板, 更符合人体工程学。
- Tilting mounting arm design, maximum expansion of the operating space above the table, without any resistance, to avoid accidental damage when clamping the rim.
  - Trapezoidal design of the manipulator leg, the most stable structure.
  - Pneumatic mounting head locking, automatic return design keep safe distance.
  - Base and box integrated design, strengthening structure, optimization of deformation resistance.
  - Drawer pedal assembly design for easy maintenance.
  - The opening and closing of mounting jaws control pedal, with fine-tuning function, can be more accurate control, avoid accidental damage to the rim.
  - Pneumatic control pedal, independent of other pedals, more ergonomic.

## 细节说明 Details



- ① 气动锁紧, 自动退缩设计  
Pneumatic lock tool to the side mounting column and horizontal beam
- ② 2500Kg 铝合金材质大气缸  
Big aluminum cylinder force 2500kgs
- ③ 全铝制防爆油水分离器  
Aluminum oil/water filter
- ④ 最大能够扩展至26"  
Maximum clamp size 26"
- ⑤ 压胎铲双向气缸控制, 压进推出等力量保证  
Twin pipes ensure the bead breaker working force without delay
- ⑥ 抽屉式踏板组件设计, 方便维护保养  
Added side pedal for better operation

## 外形尺寸 Dimension



技术参数 Technical Data		
外卡范围	Rim Clamping Outer	10"-26"
内撑范围	Rim Clamping Inner	12"-28"
最大轮胎直径	Max. Tyre Diameter	1100mm/43"
最大轮胎宽度	Max. Tyre Width	415mm/16"
充气最大压力	Working Air Pressure	3.5bar
压胎铲作用力(10bar时)	Bead Breake Cylinder Force	2500kg
电源电压	Power Supply	220V/380V
电机功率	Motor Power	1.1kw/0.75kw
设备重量	N.W.	270kg
包装箱尺寸	Dimension	1000×760×950mm

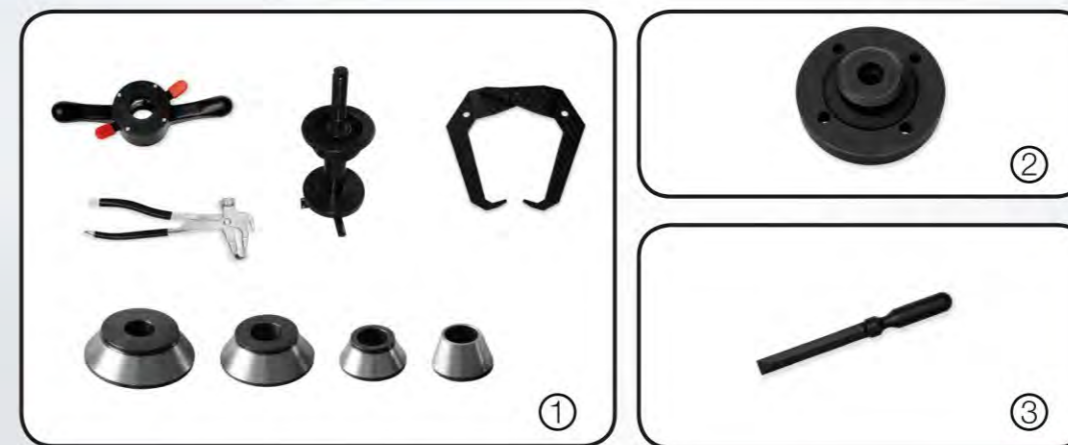
## RH-70B



⊕ 10"-24"  
⚡ 220 V  
⚡ 380 V

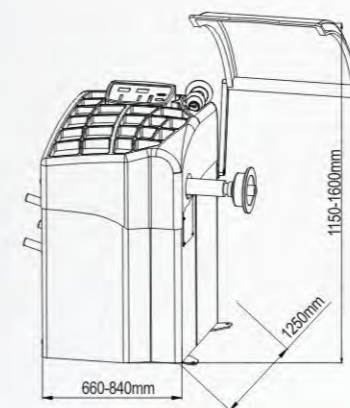
- 人工测量车轮直径和距离。
  - 自动启动和停止功能。
  - 静态/动态平衡。
  - 多种组合铝合金车轮测量模式。
  - 自诊断功能。
  - 自校准功能。
  - 配备锥套及快速锁紧手柄。
  - 车轮保护罩。
- Manual measurement for wheel diameter and distance.
  - Automatic start and stop function.
  - Static/dynamic balancing.
  - Various combinations of aluminum alloy wheel measurement mode.
  - Self-diagnostic function.
  - Self-calibration function.
  - Equipped with taper sleeve and quick lock handle.
  - Wheel guard.

## 细节说明 Details



- ① 随机附件: 多种平衡夹具, 适合各种类型的轮胎  
Standard accessories
- ② 五孔夹具可选配  
Five-Hole adaptor option
- ③ 随机附带新型铅块护  
Shovel: Remove the original weights on the wheel

## 外形尺寸 Dimension



技术参数 Technical Data		
轮距直径	Wheel diameter	10"-24"
最大轮重	Max. wheel weight	65kg
最大轮胎直径	Max. tyre diameter	1000mm/39.5"
最大轮胎宽度	Max. tyre width	1.2-20"
测量转速	Spinning speed	200rpm
平衡精度	Unbalance measure accuracy	± 1
电机功率	Motor power	0.25kw
平衡周期	Balancing time	10s
包装箱尺寸	Dimension	1020×710×1050mm
净重	N.W.	118kg
毛重	G.W.	125kg

## RH-E300



- 液晶屏显示。
- 磁悬浮驱动。
- 多用户预设功能。
- 自动测量尺/自动锁定。
- SPL智能平衡点定位功能。
- HIDE平衡块分割隐藏功能。
- LOE直线光栅数字测量技术。
- QFM四倍频编码技术。
- ASB电磁自激励制动。
- 13种平衡程序，涵盖轮胎平衡的各种可能组合方式。

- LED screen display.
- Magnetic levitation drive.
- Multi-user preset function.
- Automatic measuring ruler /Automatic locking.
- SPL intelligent balancing point positioning function.
- HIDE balance fast hidden split function.
- LOE Linear grating digital measurement technology.
- QFM Quadruple frequency coding technique.
- ASB Electromagnetic self-excitation braking.
- 13 Balancing procedures covering all possible combinations of tire balance.

## 细节说明 Details

**图形提示多窗口数显界面** MULTI DISPLAY WINDOWS

- 1.图示轮胎参数同步显示
- 2.图示平衡方式显示
- 3.多用户预设功能
- 4.360°平衡角度位置显示
- 5.图示提示金属按键板

- 1.Sync the wheel data
- 2.30 view the measure module
- 3.Multi user setup
- 4.360° Full Angle Position
- 5.Metal press board

**HIDE平衡块分割隐藏功能**

此程序根据辐条的数量，将辐条之间的配重平衡块重新进行力学分析计算，隐藏在辐条后面，以满足高档车的美观要求。

**Weights hidden splitted( luxray/sport car):**  
Automatic calculating the weights position splitted which hidden on the back of spoke. Ensure wheels nice looking

**磁悬浮驱动，永不磨损**  
Magnetic driven system longtime working life

**360°旋转**  
Freely rotation 360 degree horizontal

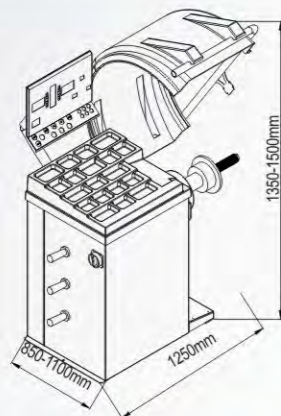
**自动测量尺、自动锁定**  
Full automatic lock,full automatic measure

**SPL智能平衡点定位功能**  
SPL intelligent identify unbalance position

**精确的平衡点角度测算**  
采用四倍频光学编码技术，将周围角度分辨率做到的512等分是国内平衡机64等分的8倍精度。

**Magnetic mouldle**  
Quadruple frame measure coding technology to identify the round resolution divide to 512 volumes which's eight times of others 64 volumes

## 外形尺寸 Dimension



技术参数 Technical Data		
最大轮胎直径	Max. wheel diameter	30"
最大车轮直径	Max. tyre diameter	1000mm
最大车轮重量	Max. tyre weight	100KG
测量转速	Spinning speed	200rpm
平衡精度	Unbalance measrure accuracy	±1
电机功率	Motor power	0.25kw

## RH-E600



- 互动触摸屏图形界面。
- 磁悬浮驱动。
- 多用户预设功能。
- 自动测量尺/自动锁定。
- SPL智能平衡点定位功能。
- HIDE平衡块分割隐藏功能。
- LOE直线光栅数字测量技术。
- QFM四倍频编码技术。
- ASB电磁自激励制动。
- 13种平衡程序，涵盖轮胎平衡的各种可能组合方式。

- LCD touchscreen frame.
- Magnetic levitation drive.
- Multi-user preset function.
- Automatic measuring ruler /Automatic locking.
- SPL intelligent balancing point positioning function.
- HIDE balance fast hidden split function.
- LOE Linear grating digital measurement technology.
- QFM Quadruple frequency coding technique.
- ASB Electromagnetic self-excitation braking.
- 13 Balancing procedures covering all possible combinations of tire balance.

## 细节说明 Details

**互动触摸屏图形界面**

人机互动的动画操作提示,简单易懂的图示触摸虚拟按钮,只要点击即可操作。特别为汽车维修工人设计的触摸屏,耐油污。

**LCD touchscreen frame**  
Sync operation instruction,Visual display touchscreen,Specized design for workshop operator, Anti-oil ,dusty Monitor free rotation 360 degree.

**HIDE平衡块分割隐藏功能**

此程序根据辐条的数量，将辐条之间的配重平衡块重新进行力学分析计算，隐藏在辐条后面，以满足高档车的美观要求。

**Weights hidden splitted( luxray/sport car):**  
Automatic calculating the weights position splitted which hidden on the back of spoke. Ensure wheels nice looking

**磁悬浮驱动，永不磨损**  
Magnetic driven system longtime working life

**360°旋转**  
Freely rotation 360 degree horizontal

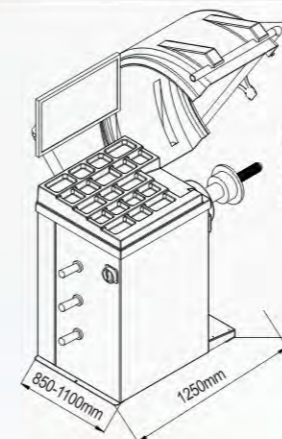
**自动测量尺、自动锁定**  
Full automatic lock,full automatic measure

**SPL智能平衡点定位功能**  
SPL intelligent identify unbalance position

**精确的平衡点角度测算**  
采用四倍频光学编码技术，将周围角度分辨率做到的512等分是国内平衡机64等分的8倍精度。

**Magnetic mouldle**  
Quadruple frame measure coding technology to identify the round resolution divide to 512 volumes which's eight times of others 64 volumes

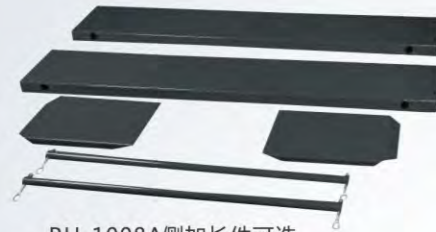
## 外形尺寸 Dimension



技术参数 Technical Data		
最大轮胎直径	Max. wheel diameter	30"
最大车轮直径	Max. tyre diameter	1000mm
最大车轮重量	Max. tyre weight	100KG
测量转速	Spinning speed	200rpm
平衡精度	Unbalance measrure accuracy	±1
电机功率	Motor power	0.25kw



**RH-1008**



RH-1008A侧加长件可选  
RH-1008A side extensions optional



**RH-1008A**



**RH-1010NE**



RH-1012A侧加长件可选  
RH-1008A side extensions optional



**RH-1010NE**

RH-1010NE侧加长件可选  
RH-1010NE side extensions optional

型号	举升重量	最小高度	最大高度	台面尺寸	导板尺寸	净重	毛重	包装尺寸	数量/40尺柜
Model	Capacity	MIN.HT	MAX.HT	Table Size (mm)	Guide Bar Size (mm)	G.W.(KG)	N.W.(KG)	Package Size	Quantity/40FCL
RH-1008	1500LB	185mm	825mm	1995*1190	650*1190	180	230	207*126*27cm	71
						19	20	121.5*67*4.5cm	
						13	15.5	62.5*26.5*23cm	
RH-1008A	1500LB	185mm	825mm	2000*710mm	550*710mm	169	210	205.1*84.6*27.3cm	130
						13	15.5	62.5*26.5*23cm	
RH-1008A side extensions	/	/	/	2000*254mm	550*254mm	56	60	203*29*16cm	/

型号	举升重量	最小高度	最大高度	台面尺寸	导板尺寸	净重	毛重	包装尺寸	数量/40尺柜
Model	Capacity	MIN.HT	MAX.HT	Table Size (mm)	Guide Bar Size (mm)	G.W.(KG)	N.W.(KG)	Package Size	Quantity/40FCL
RH-1010NE	1000LB	200mm	850mm	2225*605	525*605	181.86	151.66	229*67*29.6cm	119
RH-1010NE side extensions	/	/	/	2225*300mm	295*50mm	81	86	82.5*34*23cm	/
RH-1012A	1500LB	190mm	1085mm	2050*750mm	628*500mm	325	365	231*93*39.5cm	60
						13	14	60.5*26.6*29cm	



**RH-2211**

可选扩展/Extensions optional

型号	举升重量	工作平台	净重	毛重	包装尺寸	数量/20尺柜
Model	Capacity	Working Length(mm)	G.W.(KG)	N.W.(KG)	Package Size	Quantity/20FCL
RH-2211	1250LB	1929	31.8	30	111*43.5*13.5cm	470



**RH-1012A**

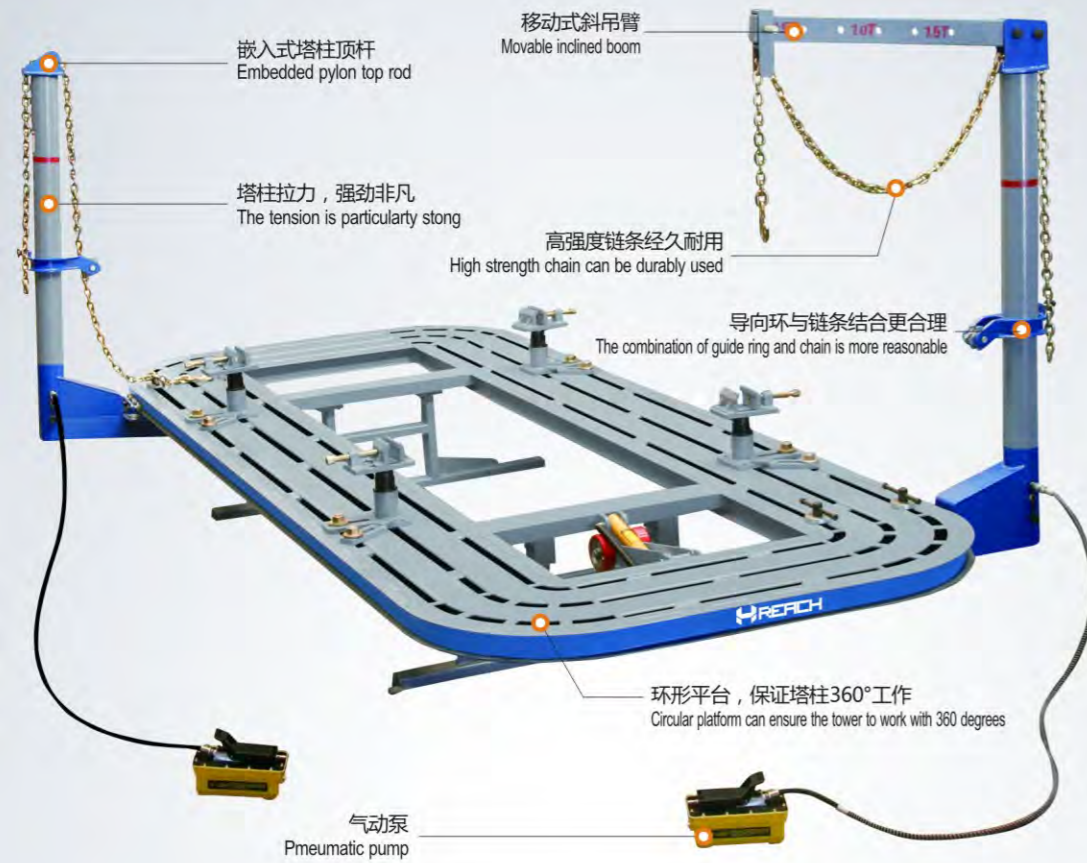
可选扩展/Extensions optional

## RH-5000S

3500 kg

380 V

220 V



- 矩形管式工作平台, 高强度筋板, 辅助轻便灵活的支腿, 使任何事故车上、下车更方便。
- 平台上更多工作孔位, 夹具固定方便操作, 无工作盲区, 底部矫正无障碍, 轻松实现了消除变形应力保护无损伤部位。
- 双拉塔可沿工作平台作360°环绕旋转。独特的滚轮转动, 使拉塔的移动更平稳, 更灵活, 对车体的拉、压、推、顶进行全方位操作。
- 通用车体固定夹钳钳口, 经过锻打, 热处理工艺, 强度高, 使用寿命长, 同时可任意调整工作高度和角度。
- 随机配置的各种夹具、辅具可满足任何变形的校正、修理, 主要拉拔夹具为锻打制造。
- 液压泵根据国内维修环境量身定做, 动力强劲, 经久耐用。

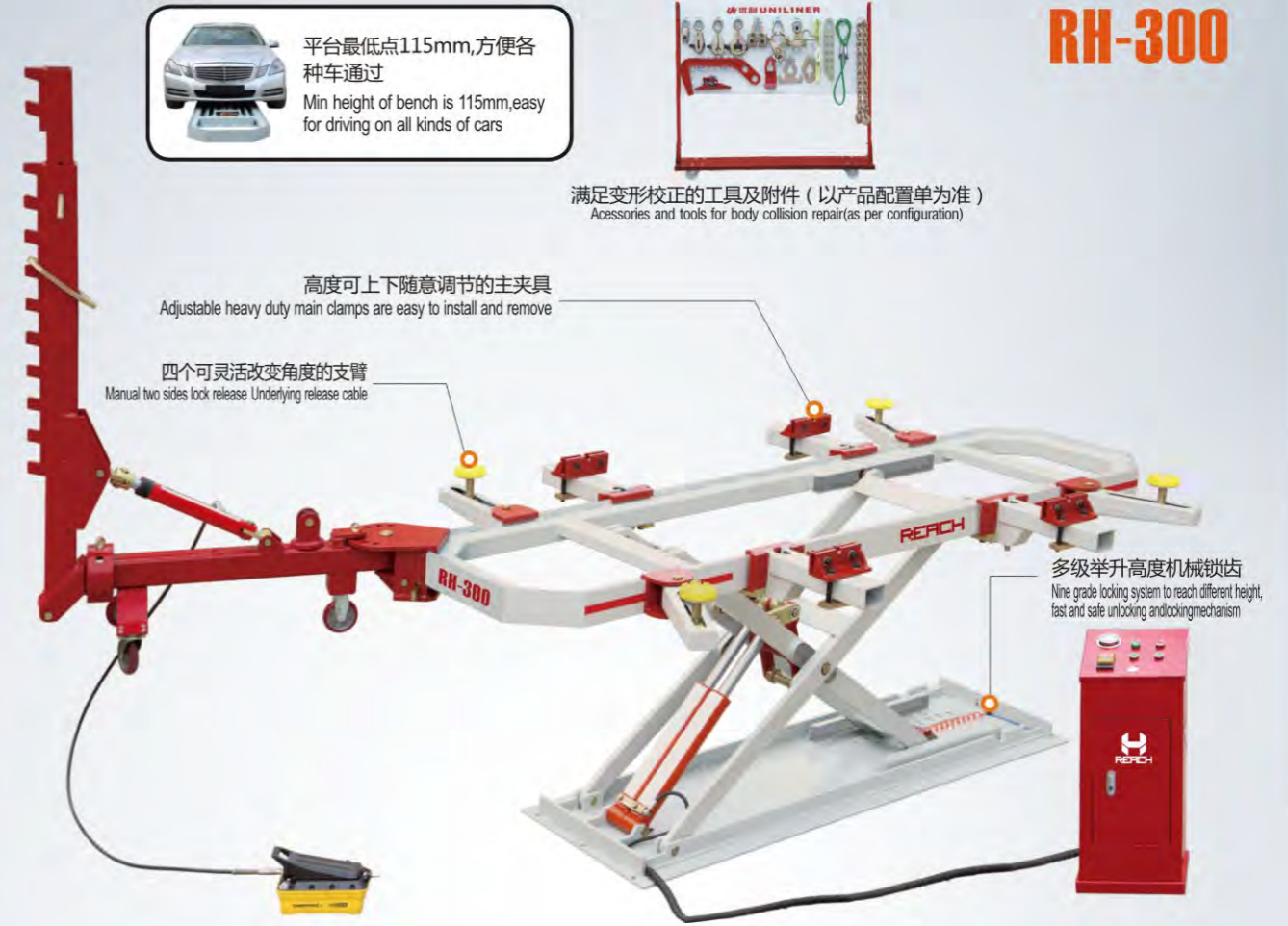
- Rectangular tube high strength plate working platform with portable flexible legs makes all collision vehicles can be moved more conveniently.
- More holes in platform more conveniently to fix the clamps.
- Double tower can rotate 360 across the platform. the rolling of the unique roller makes the tower rotate more stably and flexibly to do all dimensional operation such as push, press and pull the vehicle body.
- Universal stationary clamp jaw which was made by forge and heating treatment. It has long service life. The working height and angle can be adjusted.
- The accessory clamps and tools can be used in all kinds of repair and alignment. The main a clamps are forged.
- The hydraulic pump customized according to the domestic garage condition which is strong and endurable.

技术参数 Technical Data		
工作台长度	Platform length	5600mm
工作台宽度	Platform width	2200mm
工作台高度	Platform height	580mm
拉塔最大推力	Tower pulling capacity	95KN
动力气源压力	Pneumatic pressure	0.8Mpa
塔柱工作范围	Tower working range	360°
平台最大承载	Platform lifting capacity	3500Kg
液压系统最大工作压力	Max hydraulic pressure	69Ma

2500 kg

380 V

220 V



- 该设备适合快修美容店针对车身面板轻微碰撞修复以及车辆保养检测, 不仅提高了工作效率, 缩短了修复时间, 而且还使修理厂、保险公司和车主受益良多。
- 适合装备精良的车身修理厂。对于已经拥有一个或多个矫正平台的修理厂来说, 将轻微受损的车辆转移到该平台上进行修复, 可以不占用用于大事故车维修的通用型矫正平台。
- 欧款框架式工作平台, 平台采用冷拔高合金矩管焊拼, 平面度高, 强度大。
- 垂直升降平台, 降到最低点只有115mm,任何事故车上、下车十分方便, 无需地藏, 最大举升高度1700mm,可当剪式举升机使用, 举升架由电动液压泵控制, 操作方便快捷。
- 多自由度的拉塔, 移动方便灵活, 固定牢固快捷, 工作范围广, 无拉伸盲区, 经久耐用。
- 四套举升摆臂, 可在180度范围内灵活移动, 配合举升垫和二次增高体的运用, 适合各种车型。
- 方便快捷的主夹具, 可随主夹具横梁快速上升、下降, 同时配合使用二次增高体, 方便灵活, 适用各种车型的装夹。
- 伸缩式轴距坐标测量(PTP)世界最先进的测量方式, 无间断点, 激光刻度, 操作方便, 持久耐用。

- This bench is widely used in fast repair work for light body collision repair and maintenance and diagnosis for vehicles with high working efficiency,which could benefit the workshop, Insurance company and vehicle owners.
- This bench is suitable for workshop equipped with precision equipments.It's easy to repair light collision vehicles with this bench instead of comprehensive machines.
- Welding cold high alloy rectangular tubes,full plate and high intensity.
- Vertical lifting bench,min height is 115mm,convenient for driving car on and off,Max height is 1700mm,can be used as a scissor lift,lifting frame is controlled by electronic hydraulic pump with convenient operation.
- Flexible moving tower,quick fixing and wide working area durable pulling power.
- Four adjustable lifting arms range in 180°when the bench's used as scissor lift,which is designed to lift nearly all kinds of vehicles.
- Adjustable heavy duty main clamps are easy to be installed and removed.The height of crossbeam equipped with clamps can be adjustable by lifting up and down to fix the vehicle.
- Retractable wheelbase coordinates measuring (PTP),the most advanced measuring system, no interrupted point, operated conveniently, laser carved scale, durable.

技术参数 Technical Data		
工作台长度	Frame length	3320MM
工作台宽度	Frame width	880MM
工作台高度	Frame height	115-1700MM
拉塔最大推力	Max. push power for pulling tower	60KN
额定电压	Rated voltage	220/380V
塔柱工作范围	Working range of pulling tower	360°
最大承载	Max. load bearing	2500KG