

Company Profile

Zhongshan City Heson Electric Co.,Ltd. which is one of the leading manufacturer for hotel electric appliances, mainly concentrates on the design, development, production and sales of double-body electric kettle & tray set, hair dryer, mini bar, steam ironing stations and so on products for hotels. All the electric items covered in our product range are approved by CE, CB/IEC, SASO. Heson sticks to the operation purpose of "quality first and customers foremost" and the manufacture's principle of "precise structure, excellent materials and being an exquisite manufacturer". We absorb a lot of professional senior people, developing various products and improving the value of our brand. By the outstanding quality and service, we win the support and trust from our customers. We have partnered with 5-star international hotels, such as Hilton, Ramada, Radisson, Marriott, Sheraton, Crowne Plaza, Westin, Wyndham, Sofitel, Renaissance, Fairmont, etc. For 4-star brands, such as IHG, Best Western, Star wood, Hilton Garden Inn, Holiday Inn, Four Points, Comfort Inn, Hard Rock, Meridien, Courtyard and others.



Hair dryer production line



Electric kettle production line



Finished product testing laboratory



Company showroom



Hardware workshop



Injection molding workshop



Electric kettle CB certification



Electric kettle CE certification



ROHS certification



Steam Iron CE Certification



Mini Fridge CE Certification

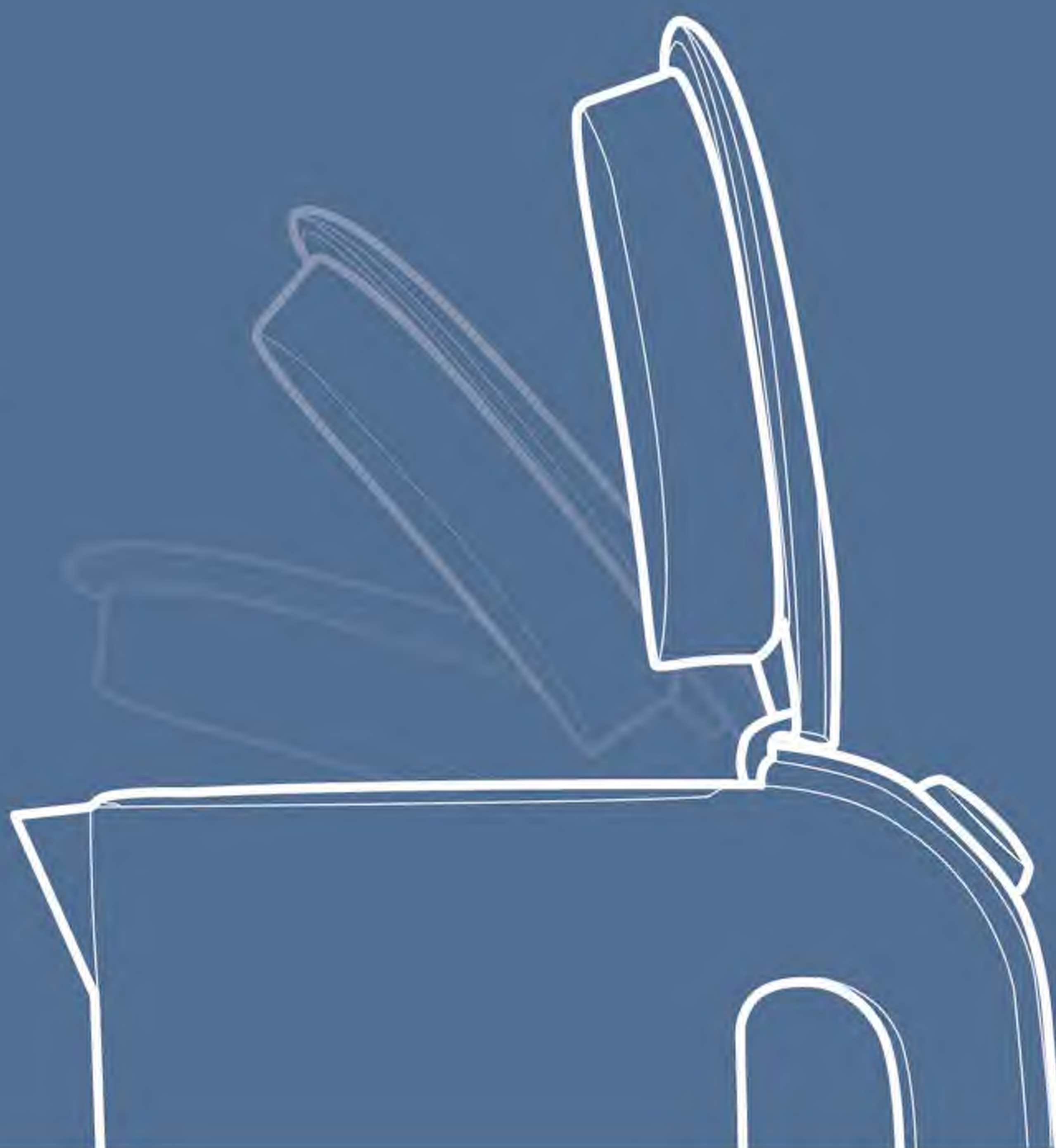


Hair Dryer CE Certification

Part of cooperative clients:



Spring cover



ELECTRIC KETTLE

Double body
304 stainless steel

Model / H1268



- Mat finishing
- Spring cover
- Seamless Inner Body

Voltage: 220-240V Capacity: 0.8L
Hertz: 50-60Hz Power: 1000-1200W
Product size: 185x122x184mm

CE CB



H1268 BLACK

NEW STYLE

0.8L electric kettle
with double body



6.1 inch





3-LAYER ANTI-SCALD BODY

Inner Body

316 Stainless Steel

Middle Layer

Anti-scald PP Plastic

Outer Body

201 Stainless Steel

ELECTRIC KETTLE

3-layer anti-scald body
316 stainless steel

Model / K85



- 316 stainless steel
- Strix

Voltage: 220-240V Capacity: 0.8L
Hertz: 50-60Hz Power: 1000-1200W
Product size: 168x145x230mm

CE CB



K85 MAT



K85 GOLDEN



ELECTRIC KETTLE

2-layer anti-scald body
304 stainless steel

Model / K81



▪ 316 stainless steel

Voltage: 220-240V Capacity: 0.8L
Hertz: 50-60Hz Power: 1000-1200W
Product size: 168x145x230mm

CE CB



K81 BLACK



K81 WHITE



ELECTRIC KETTLE

Model: H1205/H1206



Voltage: 220-240V
Capacity: 1.2L
Hertz: 50-60Hz
Power: 1000-1200W
Product size:190x162x207mm



H1206 Black



H1206 Silver



H1206 Golden



H1205 Mat





ELECTRIC KETTLE

Double body
304 stainless steel

Model / H1208



- Spring cover
- Easy cleaning
- Luxury body

Voltage: 220-240V Capacity: 0.8L
Hertz: 50-60Hz Power: 800-1000W
Product size: 187x160x190mm



H1208 Gun



H1208 Mat

ELECTRIC KETTLE

304 stainless steel

Model / H1206-1



- Visible water window
- Spring cover

Voltage: 220-240V Capacity: 1L
Hertz: 50-60Hz Power: 1000-1200W
Product size: 196x130x190mm



ELECTRIC KETTLE

304 stainless steel

Model / H1263



- Visible water window
- Spring cover
- Easy cleaning

Voltage: 220-240V Capacity: 0.6L
Hertz: 50-60Hz Power: 1000-1200W
Product size: 187x122x170mm



ELECTRIC KETTLE

304 stainless steel

Double body

Model / H1262



- Visible water window
- Spring cover
- Easy cleaning

Voltage: 220-240V Capacity: 0.6L
Hertz: 50-60Hz Power: 1000-1200W
Product size: 188x122x170mm



H1262 White



H1262 Blank

ELECTRIC KETTLE

Model / H0880S



- Wide angle
- Easy cleaning
- Anti-scald



Voltage: 220-240V Capacity: 0.8L
Hertz: 50-60Hz Power: 1000-1200W
Product size: 188x150x230mm



H0880S Ivory

H0880S Black

ELECTRIC KETTLE

Model / H0881S Mat



- Wide angle
- Easy cleaning



Voltage: 220-240V Capacity: 0.8L
Hertz: 50-60Hz Power: 1000-1200W
Product size: 188x150x230mm

ELECTRIC KETTLE

Model / H2002



- Wide angle
- Easy cleaning
- Anti-scald



Voltage: 220-240V Capacity: 1.2L
Hertz: 50-60Hz Power: 1350-1600W
Product size: 207x150x230mm



H2002 Ivory

H2002 Black

ELECTRIC KETTLE

Model / H1202 Mat



- Wide angle
- Easy cleaning



Voltage: 220-240V Capacity: 1.2L
Hertz: 50-60Hz Power: 1350-1600W
Product size: 203x150x230mm

ELECTRIC KETTLE

Model / H1266



- Spring cover
- Easy cleaning
- Anti-scald



Voltage: 220-240V Capacity: 1.2L
Hertz: 50-60Hz Power: 1350-1600W
Product size: 220x145x195mm

ELECTRIC KETTLE

Model / H1202B Mat



- Spring cover
- Removable filter
- Easy cleaning



Voltage: 220-240V Capacity: 1.2L
Hertz: 50-60Hz Power: 1800-2000W
Product size: 208x150x195mm

M-TRAY

COMPACT WELCOME TRAY

- SPACE-SAVING WELCOME TRAY
- HYGIENIC CONSUMABLES DRAWER
- THREE COMPARTMENTS FOR INGREDIENTS
- LUXURIOUS BLACK COLOR
- DRAWER MADE FROM FOOD-SAFE ABS PLASTIC
- ANTI-THEFT: CABLE CAN BE FIXED TO THE BASE OF THE TRAY

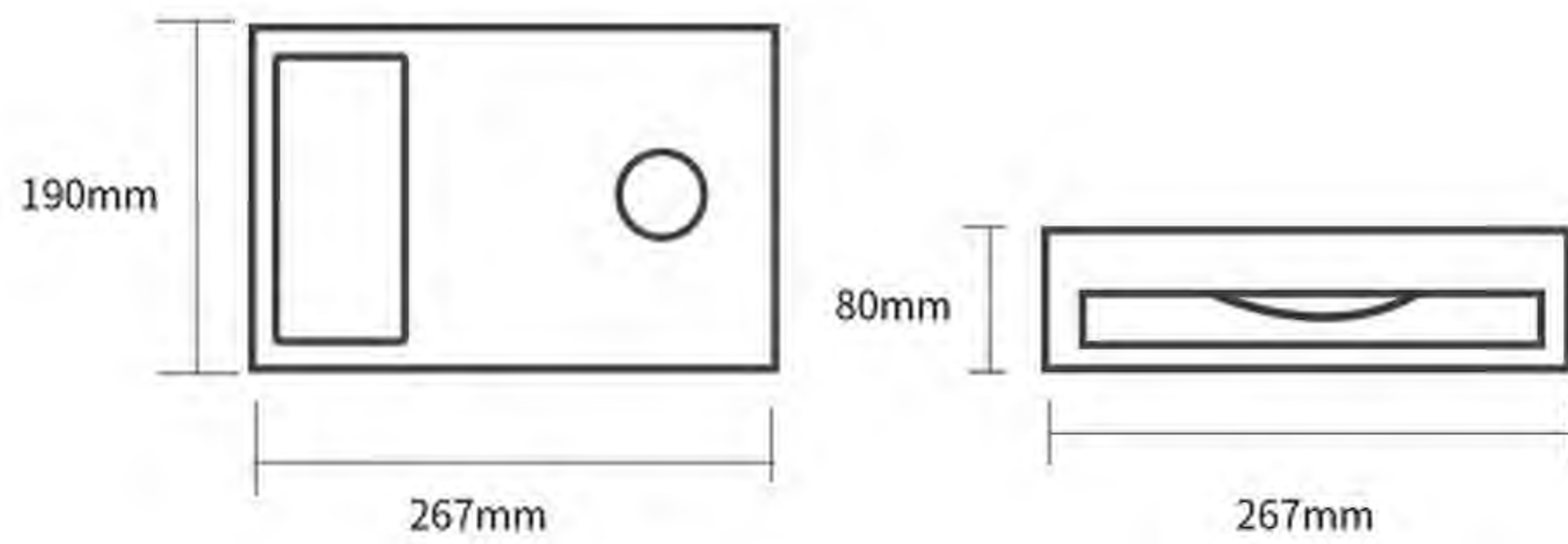


Shown with kettle H1268



SPECIFICATIONS WELCOME TRAYS

Size of the tray(w * d * h)	267x190x80MM
Material	ABS
Available colours	Black / White



P -TRAY

ORIGINAL PATENTED DESIGN--BRAND NEW COMPACT WELCOME TRAY

MORE SPACE SAVING

1. COMBINATED THE KETTLE BASE AND TRAY TWO IN ONE,
MORE CONCISE AND ELEGANT
2. STAINLESS STEEL WATER FILTERS AND RESERVOIRS
TO COLLECT OVERFLOW WATER
3. ABS MATERIALS WITH MATT FINISH DESIGN, SHATTER
& SCRATCH RESISTANCE, FREE OF FINGERPRINTS

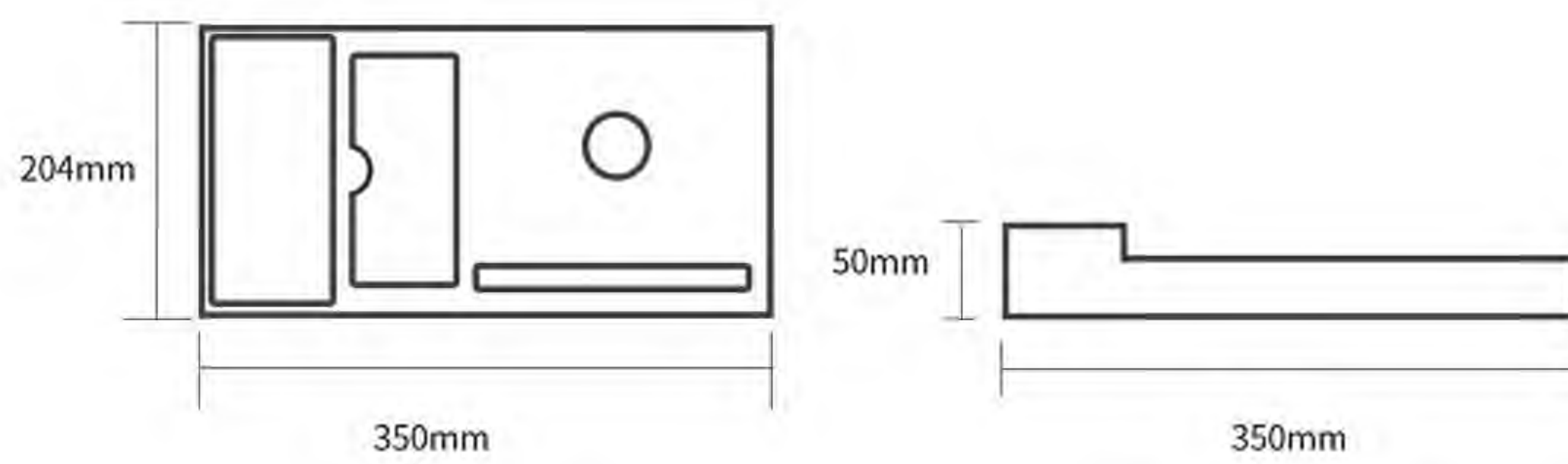


Shown with kettle K81



SPECIFICATIONS WELCOME TRAYS

Size of the tray(w x d h)	350x204x50MM
Material	ABS
Available colours	Black



Shown with kettle H1268



C-TRAY

100% MELAMINE WITH CERAMIC LUSTER SURFACE CAN EFFECTIVELY MAINTAIN THE CLEANING OF SURFACE AND PREVENT THE FURNITURE FROM WATER INVASION.



SPECIFICATIONS MAIN TRAY

Size of the tray(w x d h)	385×325× 22.5MM
Material	Melamine
Available colours	Black



Shown with kettle K81



SPECIFICATIONS SERVICE TRAY

Size of the tray(w x d h)	335×132×11MM
Material	Melamine
Available colours	Black



Shown with kettle H1268



SPECIFICATIONS TEA BOX

Size of the tray(w x d h)	155×115×50MM
Material	Melamine
Available colours	Black

Other Options



M-H1268(0.8L,1000W)



M-H1262(0.6L,1000W)



M-H1208 Brushed(0.8L,800W)



M-H1208 Gun(0.8L,800W)



M-H1261(0.6L,1000W)



M-H1263(0.6L,1000W)

Hospitality Tray Series



Model: J
Melamine tray
Base size:400X270X38mm



Model: K
ABS tray
Base size:400X270X38mm



Model: G
ABS tray
Base size:443X227X36mm



Model: I
ABS tray
Base size:363X240X33mm



Model: A
Melamine tray
Base size:345X315X22.5mm



Model: B
Melamine tray
Base size:385X308X22.5mm



Model: C
Melamine tray
Base size:385X308X22.5mm



Model: H
Melamine tray
Base size:453X356X22.5mm

Tray Set Series

G/I-series

- 1.Original patented design,combined the kette base and tray two in one,more concise and elegant.
- 2.Stainless steel water filters and reservoirs to collect overflow water to avoid the huge loss of furniture and wallpaper erosion caused by overflow tea.
- 3.ABS materials and imitation wood grain design,shatter & scratch resistant,free of fingerprints.

CE CB SASO RoHS



G-H1208(0.8L,800W)



G-H1268 Black(0.8L,1000W)



G-H1202(1.2L,1350W)



G-K81 Black (0.8L,1000W)



G-K85(0.8L,1000W)

Tray Set Series



I-H1261(0.6L,1000W)



I-H1208(0.8L,800W)



I-H1262(0.6L,1000W)



I-H1263(0.6L,1000W)



I-H0881S(0.8L,1000W)



I-H1268 Black(0.8L,1000W)

Kettle Tray Set

J-series

100% melamine with ceramic luster surface can effectively maintain the cleaning of bar surface, prevent the furniture from water invasion.

CE CB SASO RoHS



J-H1205(1.2L,1000W)



J-H1206 Black(1.2L,1000W)



J-H1206 Silver(1.2L,1000W)

F-series

100% melamine with ceramic luster surface can effectively maintain the cleaning of bar surface, prevent the furniture from water invasion.

CE CB SASO RoHS



F-H2002 Black(1.2L,1350W)

Kettle Tray Set

K-series

- 1.Original patented design,combined the kette base and tray two in one,more concise and elegant.
- 2.Stainless steel water filters and reservoirs to collect overflow water to avoid the huge loss of furniture and wallpaper erosion caused by overflow tea.
- 3.ABS materials and imitation wood grain design,shatter & scratch resistant,free of fingerprints.

© CE CB SASO RoHS



K-H0881S(0.8L,1000W)



K-H1262(0.6L,1000W)



K-H1263(0.6L,1000W)



K-H1208 Gun(0.8L,800W)



K-H1208(0.8L,800W)

Kettle Tray Set

A-series



A-H2002 White(1.2L,1350W)



A-H2002 Black(1.2L,1350W)

B-series



B-H1202(1.2L,1350W)



B-H2002 Black(1.2L,1350W)



B-H1268 Black(0.8L,1000W)



B-H1206-1(1L,1000W)

Kettle Tray Set

C-series



C-H1206-1(1L,1000W)



C-H1268 Black(0.8L,1000W)

W-series

1.This tray is made of carefully selected high-quality wood with clear texture, strong pacticability and durability features.

2.The surface of the tray is finely polished,with smooth touch and fine workmanship.

CE CB SASO RoHS



W-H1208 Gun(0.8L,800W)

H-series



H-H2002 Black(1.2L,1350W)



H-H1202B Mat(1.2L,1800W)

Quick-drying



Model: F15

3 speed hot wind + 3 speed cold wind

Safty button

Over heating protection

Power: 220-240V 50/60Hz 1800-2100W



HAIR DRYER

Model / F13



- Foldable
- Outlet

2 speed hot wind + 1 speed cold wind
Safty button
Over heating protection
Power: 220-240V 50/60Hz 1800-2100W



HAIR DRYER

Model / F2



- Foldable
- Removable net
- Ionic fuction
- Coil

3 speed temperature + 2speed wind
Safty button
Over heating protection
Power: 220-240V 50/60Hz 1800-2100W



HAIR DRYER

Model/ F7W



3 speed temperature + 2 speed wind
Safty button
Over heating protection
Power: 220-240V 50/60Hz 1600-1800W)



HAIR DRYER

Model / F6



F6C BLACK



F6A WHITE



F6B SILVER



F6D GOLDEN

2 speed hot wind + 1 speed cold wind
Safty button
Over heating protection
Power: 220-240V 50/60Hz 1400-1600W



HAIR DRYER

Model / F5



F5B BLACK



F5W WHITE

2 speed hot wind + 1 speed cold wind
Over heating protection
Power: 220-240V 50/60Hz 1200-1400W)



HAIR DRYER

Model/ F12



F12B BLACK



F12W WHITE

2 speed hot wind + 1 speed cold wind
Over heating protection
Power: 220-240V 50/60Hz 1200-1400W



HAIR DRYER

Model/ D07-2



Model: D07-2 White
1600W



Model: D07-2 Black
1600W



Converts to
Wall Mounted with
HOLDER option



Wall Holder features Anti-Theft
Cable tracks

1. Safety switch, press to work, prevent customer to use it in incorrect way.
2. High and low speed setting for your option.
3. Stylish and easy to install.
4. Overheating protection.
5. Can make with 110V/220V shaver socket.



**2 SPEED HOT WIND
+ COOL WIND**
Settings



SAFETY ON / OFF
Press Switch



COIL MADE OF SPECIAL MATERIAL
To Ensure Bounce Back & Return
to Shape And Length

AFTER STRETCH

HAIR DRYER

Model/ D01



2 speed hot wind
Safty button
Over heating protection
Power: 220-240V 50/60Hz 1300W



D01A (WITH SHAVER SOCKET 110V & 220V)
D01A-1 (WITH SHAVER SOCKET 220V)



D01B



HAIR DRYER

Model / D02B

2 speed hot wind
Safty button
Over heating protection
Power: 220-240V 50/60Hz 1300W

HOTEL MINI BAR

Capacity: 30L

Ctn size: L420 x w400 x H485mm

Power: 48W (220V-240V, 50Hz/60Hz)

Temperature Range: 6-12°C

N.W: 10.2KG/11.5KG



THERMOELECTRIC/MINI BAR

Model / HS-30A

Capacity: 30L
Ctn size: L420 x w400 x H485mm
Power: 48W (220V-240V, 50Hz/60Hz)
Temperature Range: 5-15°C
N.W: 9.5KG/11KG



Model / HS-30G

Capacity: 30L
Ctn size: L420 x w400 x H485mm
Power: 48W (220V-240V, 50Hz/60Hz)
Temperature Range: 5-15°C
N.W: 9.5KG/11KG

Model / HS-42A

Capacity: 42L
Ctn size: L420 x w420 x H515mm
Power: 48W (220V, 50Hz)
Temperature Range: 5-15°C
N.W: 10.3KG/12.3KG



Model / HS-42G

Capacity: 42L
Ctn size: L420 x w420 x H515mm
Power: 48W (220V, 50Hz)
Temperature Range: 5-15°C
N.W: 10.3KG/12.3KG

THERMDECTRIC/MINI BAR

Model / BC-17A

Capacity: 17L
Ctn size: L385 x w341x H415mm
Power: 48W (220V-240V, 50Hz/60Hz)
Temperature Range: 5-10°C
N.W: 7KG/9.2KG



Model / BC-17S

Capacity: 17L
Ctn size: L385 x w356 x H405mm
Power: 48W (220V-240V, 50Hz/60Hz)
Temperature Range: 5-10°C
N.W: 7KG/9.2KG

Model / BC-50B

Capacity: 50L
Ctn size: L500 x w515 x H420mm
Power: 48W (220V, 50Hz)
Temperature Range: 5-15°C
N.W: 13KG/15KG



Model / BC-65B

Capacity: 65L
Ctn size: L460 x w738 x H540mm
Power: 48W (220V, 50Hz)
Temperature Range: 5-15°C
N.W: 18KG/20KG

HEAT ABSORPTION/MINI BAR

Model / BC-30C

Capacity: 30L
Ctn size: L420 x w485 x H400mm
Power: 48W (220V-240V, 50Hz/60Hz)
Temperature Range: 2-8°C
N.W: 10KG/13KG



Model / BC-30C-G

Capacity: 30L
Ctn size: L420 x w485 x H400mm
Power: 48W (220V-240V, 50Hz/60Hz)
Temperature Range: 8-15°C
N.W: 5KG/16KG

Model / BC-25A

Capacity: 25L
Ctn size: L385x w490 x H370mm
Power: 48W (220V, 50Hz)
Temperature Range: 3-8°C
N.W: 10.5KG/12.5KG



Model / BC-25A-G

Capacity: 25L
Ctn size: L385x w490 x H370mm
Power: 48W (220V, 50Hz)
Temperature Range: 6-15°C
N.W: 12.5KG/14.5KG

ABSORPTION/MINI BAR

Capacity: 30L
Ctn size: L420 x w400 x H480mm
Power: 65W (220V-240V, 50Hz/60Hz)
Temperature Range: 0-8°C/5-12°C
N.W: 16.1KG/18.2KG



Model: XC-30AB-BL
Solid Door



Model: XC-30BB-BL
Glass Door



Model: XC-40AB-BL
Solid Door



Model: XC-40BB-BL
Glass Door

Capacity: 40L
Ctn size: L400 x w435 x H550mm
Power: 65W (220V-240V, 50Hz/60Hz)
Temperature Range: 0-8°C/5-12°C
N.W: 16.5KG/18.6KG

Capacity: 60L
Ctn size: L517x w485 x H560mm
Power: 80W (220V-240V, 50Hz/60Hz)
Temperature Range: 0-8°C
N.W: 18.5KG/20.5KG



Model: XC-60B-BL
Glass Door



Model: XC-60A-BL
Solid Door

HEAT ABSORPTION/MINI BAR

Model / CB-20SA

Capacity: 20L
Ctn size: L360 x w390 x H440mm
Power: 48W (220V-240V, 50Hz/60Hz)
Temperature Range: 8°C
N.W: 9.5KG/11KG



Model / SC-20SA

Capacity: 20L
Ctn size: L360 x w390 x H440mm
Power: 63W (220V-240V, 50Hz/60Hz)
Temperature Range: 12°C
N.W: 10KG/11KG

Model / CB-40SA

Capacity: 40L
Ctn size: L400 x w420 x H570mm
Power: 48W (220V, 50Hz)
Temperature Range: 8°C
N.W: 12.3KG/13.6KG



Model / SC-40SA

Capacity: 42L
Ctn size: L480 x w420 x H570mm
Power: 63W (220V, 50Hz)
Temperature Range: 12°C
N.W: 13.6KG/14.9KG

Thermo Absorption mini bar

Model / XCS-30AS-BL

Capacity: 30L
Ctn size: W400*D390*H480MM
Power: 65W (220V/60HZ,110V/60HZ)
Temperature Range: 10-16°C
N.W: 10kg/11kg



Model / XCS-30BS-BL

Capacity: 30L
Ctn size: W400*D390*H480MM
Power: 65W (220V/60HZ, 110V/60HZ)
Temperature Range: 6-12°C
N.W: 12kg/13kg

Model / XCS-40AS-BL

Capacity: 40L
Ctn size: W410*D400*H550MM
Power: 65W (220V/60HZ, 110V/60HZ)
Temperature Range: 6-12°C
N.W: 11.5kg/13kg



Model / XCS-40BS-BL

Capacity: 40L
Ctn size: W405*D400*H550MM
Power: 65W (220V/60HZ, 110V/60HZ)
Temperature Range: 10-16°C
N.W: 13.5kg/15kg

FRIDGE/MINI BAR

Model / BC-46B

Capacity: 42L
Ctn size: L435x w480 x H510mm
Power: 46W (220V-240V, 50Hz/60Hz)
Temperature Range: 8-18°C
N.W: 12KG/13.6KG



Model / BC-46S

Capacity: 42L
Ctn size: L435 x w480 x H510mm
Power: 46W (220V-240V, 50Hz/60Hz)
Temperature Range: 5-12°C
N.W: 13.2KG/14.7KG

Model / CB-21SA

Capacity: 21L
Ctn size: L385 x w455 x H375mm
Power: 48W (220V, 50Hz)
Temperature Range: 8°C
N.W: 9.4KG/10.5KG



Honeyson®

FOR HOSPITALITY

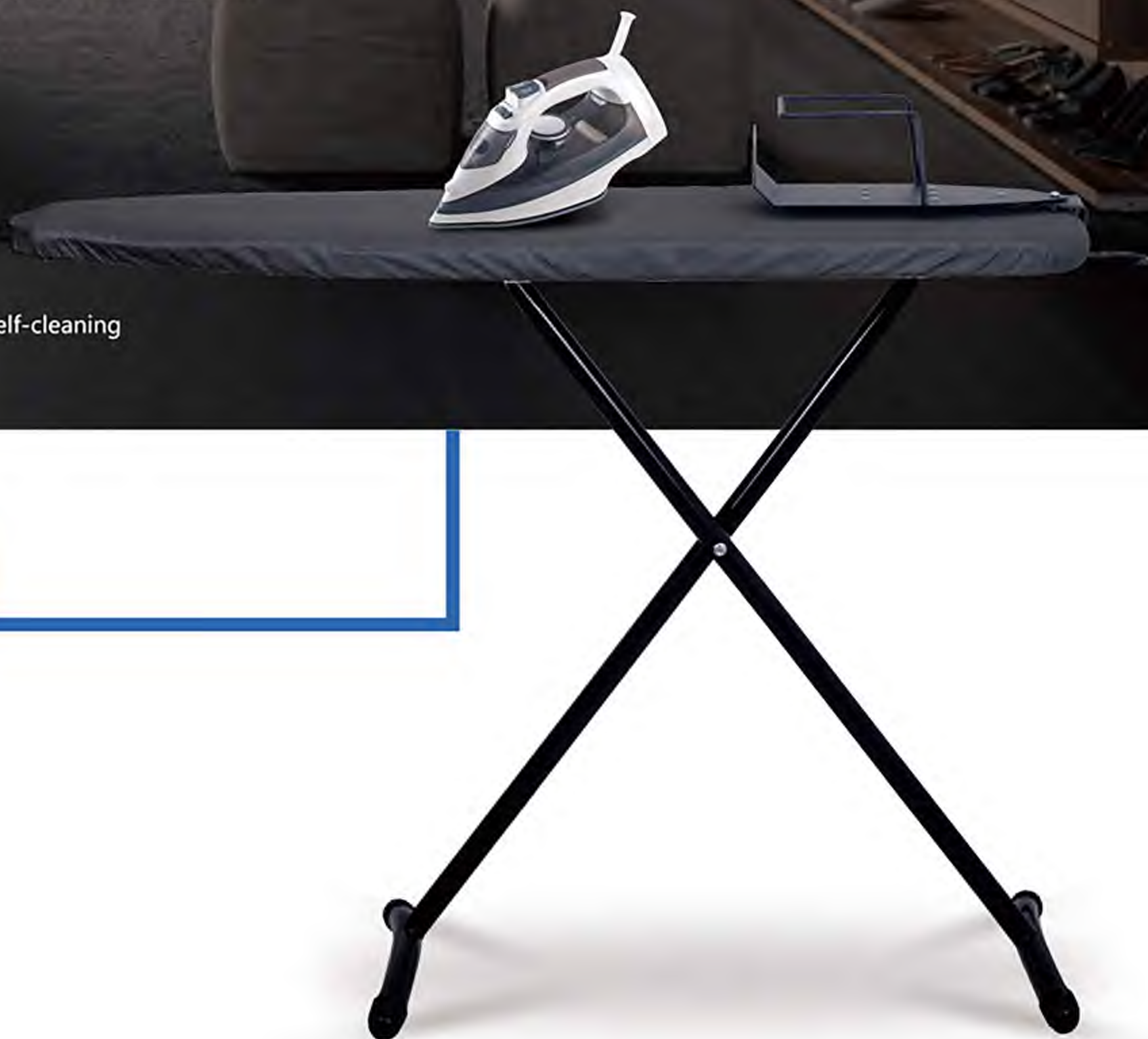
IRONING CENTRE SYSTEM

IRONING BOARD SERIES

Auto-off function

vertical position,
8 minutes auto off;
horizontal position,
30 seconds auto off.

ceramic sole plate
full-function style
dry/spray/steam/burst steam/self-cleaning
antic-calc/anti-drip.



www.honeysonelectric.com

Steam Iron

1800W

Model:HS-05
Product size:29.2x12.1x14.5cm
Plate size:21.9x12.1cm
Water tank:320ml
220-240V,50-60Hz



1800W

Model:HS-06
Product size:29.2x12.1x14.5cm
Plate size:21.9x12.1cm
Water tank:320ml
220-240V,50-60Hz



Dry Iron

1000W

Model:HS-07
Product size:26.5x10.3x13.2cm
Giftbox dimension:
270x110x136mm
Power cord:1.8M
220-240V,50-60Hz



1000W

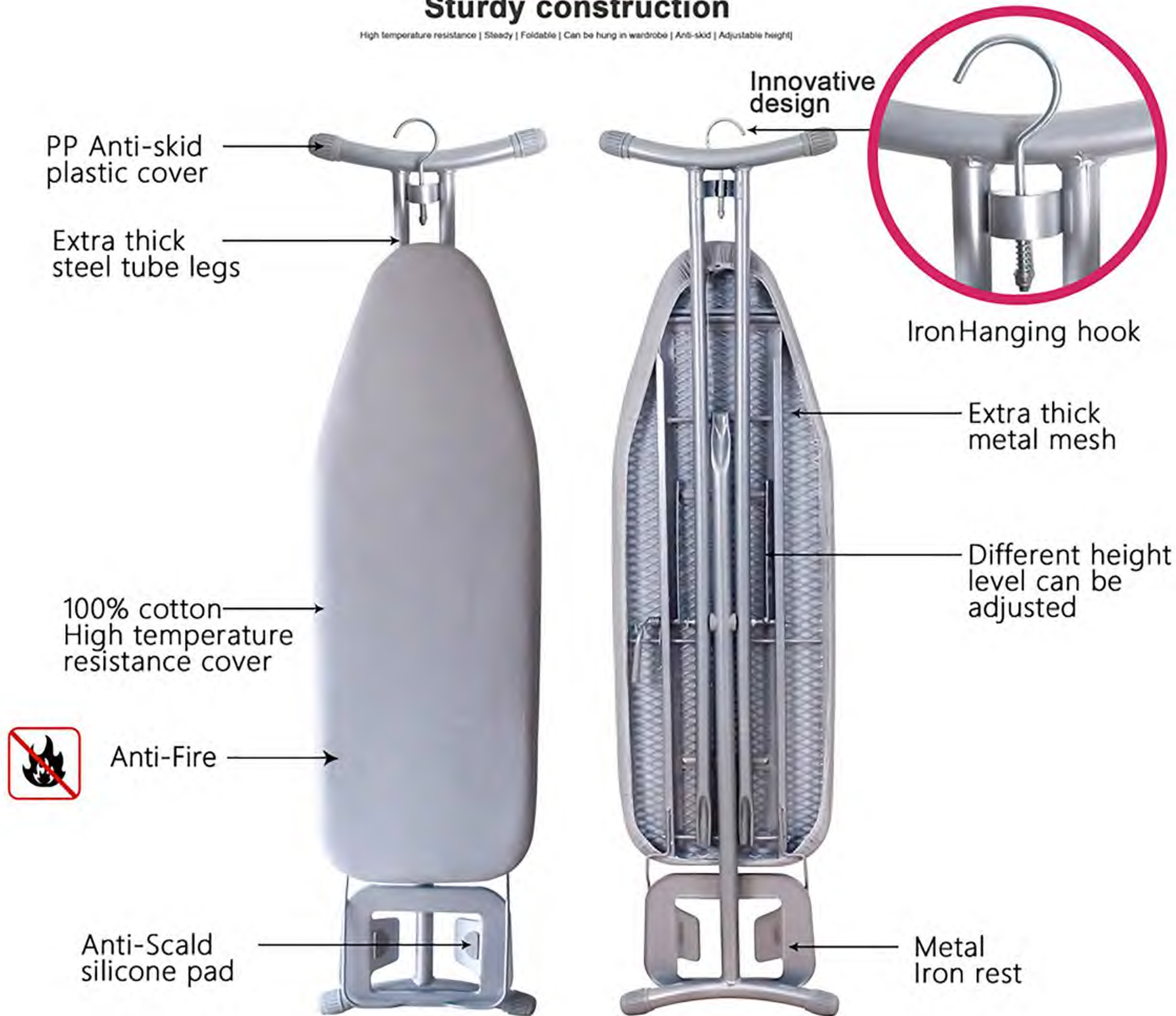
Model:HS-08
Product size:26.5x10.3x13.2cm
Giftbox dimension:
270x110x136mm
Power cord:1.8M
220-240V,50-60Hz



Ironing board NEW HANG-IN WARDROBE STYLE

Sturdy construction

High temperature resistance | Steady | Foldable | Can be hung in wardrobe | Anti-skid | Adjustable height|



PRODUCT DETAILS



Extra thick built-in support rods



Comes with hanging hook



Feet tubes fixed hook



Safety crimping design



Regulating handle



Flexible legs cover

Anti-theft Series Ironing Station

|Hanging into hotel wardrobe|

1800W

Model:HS-05
Product size:29.2x12.1x14.5cm
Plate size:21.9x12.1cm
Water tank:320ML

1800W

Model:HS-06
Product size:29.2x12.1x14.5cm
Plate size:21.9x12.1cm
Water tank:320ML



Rotable iron holder



Stores Neatly On Rail



Anti-Theft Cable lock



Anti-drip Series Ironing Station

|Hanging into hotel wardrobe|

1600W

Model:HS-04
Product size:24.6x12x12.7cm
Plate size:19.5x12cm
Water tank:260ML

Auto-off function
1.Vertical position, 8 minutes auto off;
2.Horizontal position, 30 seconds auto off.



Rotable Iron Holster

Stores Neatly On Rail

Anti-drip Cable lock



Wall Mounted Series Ironing Stations

Color:Black/Grey
Full Size:1120*300mm
Board Size:910*300mm
10mm Thickening Felt

IB01



Thick felt 10mm



Force supporting point
stengthening steel plate,
more stable



Wall Mounted Series Ironing Stations



Model:IB02

Model:IB02

Model:IB09

HOTEL SAFE

MODEL / D1541MJ

size: 410 x 350 x 150mm



MODEL / E2042BJ

size: 420 x 370 x 200mm



MODEL / E2042MJ

size: 420 x 370 x 200mm



MODEL / E2042U

size: 420 x 370 x 200mm



MODEL / E2042A

size: 420 x 370 x 200mm



HOTEL SAFE

Model / E2042H

size: 420 x 370 x 200mm



Model / E2042M

size: 420 x 370 x 200mm



Model / E2042N

size: 420 x 370 x 200mm



Model / E2042V

size: 420 x 370 x 200mm



Model / E2042G

size: 420 x 370 x 200mm



Model / C2042

size: 420 x 370 x 200mm



Telephone



Model:HS-001



Model:HS-001B



Model:HS-003



Model:HS-006



Telephone



Model:HS-008



Model:HS-0009 BLACK



Model:HS-0009 BEIGE



Model:HS-011



Model:HS-012

Telephone



Gloden



Red



Black

ACE-8901



Black



Gloden



Red

ACE-8902



Black



Beige



Gloden

ACE-8902B

Telephone



Black



Beige



Gloden



White

SN-0016



Black



Beige

SN-0005



Golden , Red , Black



Black



Beige

SN-8903

FLASHLIGHT

80000Hrs

Model / HSF-01



Model: HSF-01



Model: HSF-02



Model: HSF-02S



Model: HSF-03

WEIGHING SCALE

Model / HS-1102

Platform: Tempered glass
LCD size: 61 x 25mm
Size: 300 x 300 x 23mm
Max capacity: 180KG



Model / GL-D1M

Platform: Tempered glass/ABS
LCD size: 73 x 33mm
Size: 395x 380 x 37mm
Max capacity: 180KG:



Model / H-01

Platform: 6mm Tempered glass
LCD size: 61 x 25mm
Size: 305x 245x 25mm
Max capacity: 200KG



Model / H-02

Platform: Tempered glass
LCD size: 73 x 33mm
Size: 312x 285x 23mm
Max capacity: 180KG



Model / H-03

Platform: 5mm Tempered glass
LCD size: 61x25mm
Size: 312*285*20mm
Max capacity: 180KG



Model / H-04

Platform: 304 stainless steel
LCD size: 79 x 36mm
Size: 340x 275x 25mm
Max capacity: 150KG



MAGNIFYING MIRROR

Model/ HS-67

dia: 6" ,8"



Model / HS-726

dia: 6" ,8"



Model/ HS-66

dia: 6" ,8"



Model / HS-529

dia: 8.5"
Thickness: 55mm
LED: 60000 hrs



Model / HS-519

dia: 8"
Thickness: 20mm
LED: 60000 hrs



Model / HS-509

dia: 8.5"
Thickness: 27mm
LED: 60000 hrs



Model / HS-539

size: 212 x 212mm
LED: 60000 hrs



Model / HS-559

size: 220 x 160mm
LED: 60000 hrs



DUST BIN

Model/ H8018

- *#410 Stainless steel material/
fire safe construction design
- *plastic liner for easy cleaning/
polished finish
- *Capacity: 3 litres
- Size: \varnothing 169 x H270mm



Model / H8019

- *#410 Stainless steel material/
fire safe construction design
- *plastic liner for easy cleaning/
polished finish
- *Capacity: 5 litres
- Size: \varnothing 205 x H265mm



Model/ H8020

- *#410 Stainless steel material/
fire safe construction design
- *plastic liner for easy cleaning/
polished finish
- *Capacity: 12 litres
- Size: \varnothing 252 x H402mm



Model / H8021

- #410 stainless steel material,
plastic accessories



Model / RB-01

- *Double layer wastebin
- *Outer: wrapped with PU
leather (Different colors and
styles for leather are available)
- *Inner: iron painted
- *With chrome top
- *Size: \varnothing 225*H270mm



Model / OB-02

- *Double layer wastebin
- *Outer: wrapped with PU
leather(Different colors and
styles for leather are available)
- *Inner: iron painted
- *With chrome top
- *Size(L*W*H)255*195*270mm
(10 litres)



Model / WD-A1-5L

- * #410 Stainless steel material
- *Fire safe construction design
- * Plastic liner for easy cleaning
- * Color: Silver matte
- * Buffer closing device
- * Capacity: 5 litres



Model / WD-A1-7L

- * #410 Stainless steel material
- * Fire safe construction design
- * Plastic liner for easy cleaning
- * Color: Silver matte
- * Buffer closing device
- * Capacity: 7 litres



DUST BIN

Model/ WD-A1-9L

- * #410 Stainless steel material
- * Fire safe construction design
- * Plastic liner for easy cleaning
- * Color: Silver matte
- * Buffer closing device
- * Capacity: 9 litres



Model / WD-A1-12L

- * #410 Stainless steel material
- * Fire safe construction design
- * Plastic liner for easy cleaning
- * Color: Silver matte
- * Buffer closing device
- * Capacity: 12 litres



Model/ WD-ST-5L

- * #410 Stainless steel material
- * Fire safe construction design
- * Plastic liner for easy cleaning
- * Color: Silver matte
- * Buffer closing device
- * Capacity: 5 litres



Model / WD-ST-7L

- * #410 Stainless steel material
- * Fire safe construction design
- * Plastic liner for easy cleaning
- * Color: Silver matte
- * Buffer closing device
- * Capacity: 7 litres



Model / WD-ST-8L

- * #410 Stainless steel material
- * Fire safe construction design
- * Plastic liner for easy cleaning
- * Color: Silver matte
- * Buffer closing device
- * Capacity: 8 litres



Model / WD-ST-10L

- * #410 Stainless steel material
- * Fire safe construction design
- * Plastic liner for easy cleaning
- * Color: Silver matte
- * Buffer closing device
- * Capacity: 10 litres



Model / WD-ST-12L

- * #410 Stainless steel material
- * Fire safe construction design
- * Plastic liner for easy cleaning
- * Color: Silver matte
- * Buffer closing device
- * Capacity: 12 litres



Model / WD-ST-20L

- * #410 Stainless steel material
- * Fire safe construction design
- * Plastic liner for easy cleaning
- * Color: Silver matte
- * Buffer closing device
- * Capacity: 20 litres



DUST BIN

Model/ WD-R1-5L

- * #410 Stainless steel material
- * Fire safe construction design
- * Plastic liner for easy cleaning
- * Color: Silver matte
- * Size: 225x225x292mm
- * Capacity: 5 litres



Model / WD-R1-7L

- * #410 Stainless steel material
- * Fire safe construction design
- * Plastic liner for easy cleaning
- * Color: Silver matte
- * Size: 225x225x334mm
- * Capacity: 7 litres

Model / WD-R1-9L

- * #410 Stainless steel material
- * Fire safe construction design
- * Plastic liner for easy cleaning
- * Color: Silver matte
- * Size: 250X250X340mm
- * Capacity: 9 litres



Model / WD-R1-12L

- * #410 Stainless steel material
- * Fire safe construction design
- * Plastic liner for easy cleaning
- * Color: Silver matte
- * Size: 250X250X385mm
- * Capacity: 12 litres

LEATHER



LEATHER

