



# 万腾车桥

## WANTENG AXLE



### 万腾与您共创财富



#### 龙岩市万腾车桥制造有限公司

Longyan Wanteng Axle Manufacturing Co., LTD

地址：福建省龙岩市新罗区龙州工业园

Add: Longzhou Industrial Zone, Xinluo District, Longyan 364000, Fujian, China

全国服务热线/Hot Line: 400-189-9530

销售部电话/Domestic Sales Tel: +86-597-3371222 +86-597-3371999

外贸部电话/International Sales Tel: +86-597-3309621

网站/Website: <http://www.fjwtcq.com> <http://www.wtaxle.com>

E-mail: 国内/Domestic: [wtcq@fjwtcq.com](mailto:wtcq@fjwtcq.com)

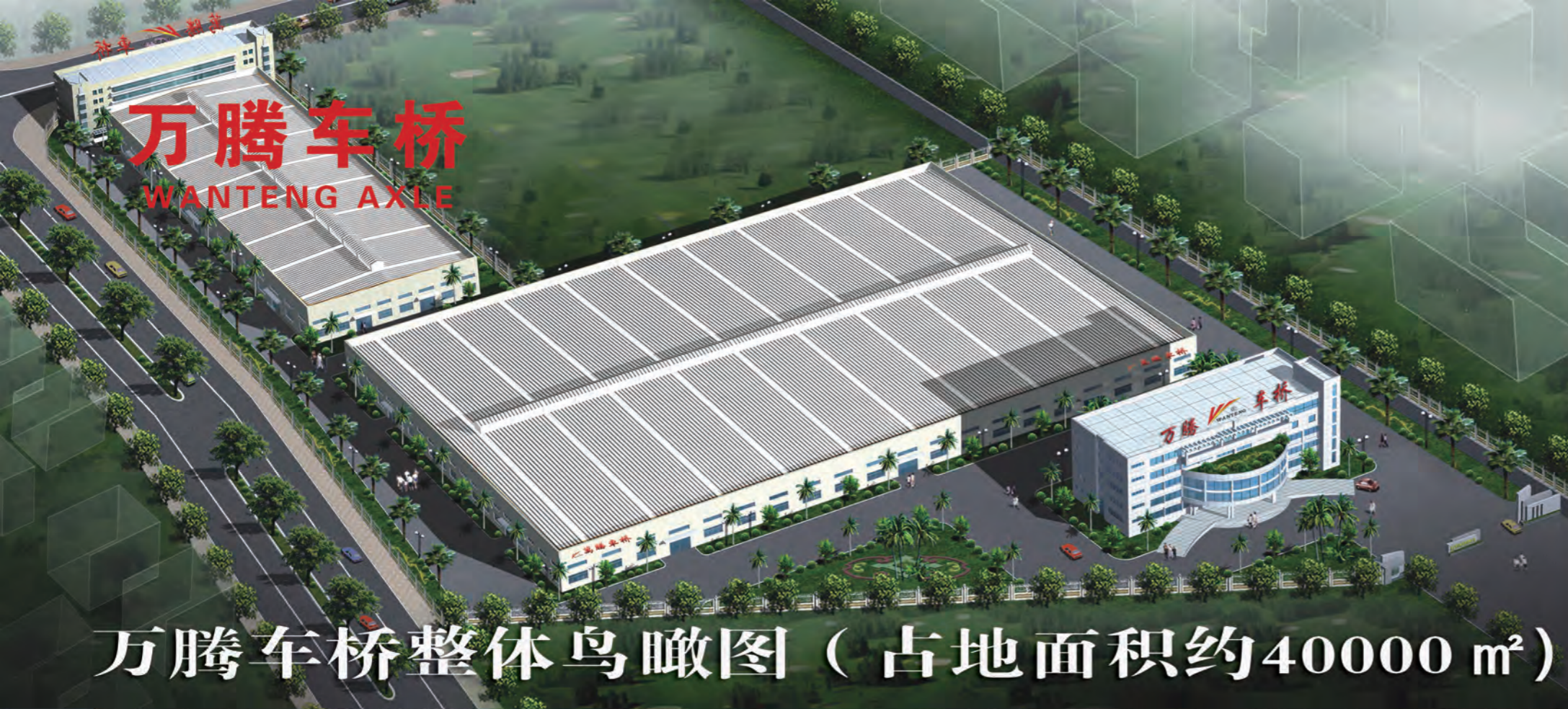
国际/International: [yokoyap@fjwtcq.com](mailto:yokoyap@fjwtcq.com)



福建省著名商标 福建省名牌产品 省级技术中心

### 龙岩市万腾车桥制造有限公司

Longyan Wanteng Axle Manufacturing Co., LTD



万腾车桥整体鸟瞰图 (占地面积约40000 m<sup>2</sup>)

## B 企业简介 >>> BRIEF INTRODUCTION

“万腾车桥”创立于1989年，2005年3月进驻福建省龙岩市龙州工业园，占地面积4万平方米，总投资1.5亿元。是目前福建省独具特色、规模大、质量优、服务快、品种齐全的汽车、客车、工程车前转向桥、后驱动桥及前转向驱动桥总成的专业生产厂家。

公司现有装配流水线四条，自动喷漆线一条，零部件清洗线三条，拥有加工中心及数控机床等高、精、尖加工设备100多台。拥有微机屏显液压万能试验机，轮鼓总成动平衡机，桥总成磨合试验台，半自动荧光磁粉探伤机，七元素分析仪，高频红外碳硫仪以及金相试验等精密检测仪器设备。

自成立以来，“万腾车桥”始终以“质量第一、信誉第一”为宗旨，以科学的管理为手段、雄厚的技术力量、精良的生产设备为基础，不断与时俱进，创新发展。公司根据市场情况的不断变化，以客户需求为导向，同福建省机械科学研究院合作成立“福建省车桥技术研究所”共同开发、试制、改进产品，具有极强的研发与生产能力，目前拥有三十几项车桥实用新型、外观设计等专利技术，现有产品四十多种。

专业品质、用户满意是“万腾车桥”矢志不移的追求。稳定的产品质量是公司开拓市场之基石，公司已通过ISO9000国家质量管理体系认证和ISO/TS16949国际汽车行业质量体系认证，并与中国科技大学合肥科英化学技术有限公司共同建立理化检测中心。现公司产品畅销国内、外市场，并得到广大用户的一致好评。

万腾与您共创财富。

"Wanteng Axle" was founded in 1989, and moved into LongZhou Industrial Zone of Longyan city in Fujian province in March 2005, which covers an area of 40000 square meters with 25 million USD investment totally. Specializing in the production of all kinds of axles to the trucks, agricultural vehicles, engineering machinery, presently the company is a professional axle manufacturer with unique, great-scale, excellent quality, fast-delivery, great variety in China.

The company has all kinds of advanced mechanical processing equipments more than 100 units, including four axle-assembly lines, one automatic paint-spraying line, three accessories-cleaning line, with a number of CNC machines, computer screen hydraulic universal testing machine, dynamic balancing machine to brake drum assembly, testing machine to the running-in of axles, semi-automatic fluorescent magnetic particle inspection machine, seven element analyzer, high frequency infrared absorption carbon-sulfur analysis instrument and microscopic examination, etc.

The company achieved innovation and development with the aim of "quality first, reputation first", by the means of scientific management and strong technical force and sophisticated production equipment since it was established. According to the market's response and the customer's demands, we set up an "Axle Technology Research Institute of Fujian province" with the cooperation of mechanical science research institute of Fujian province, by joint-development, trial-production and product-improvement; With a strong R&D capacity, currently we have more than thirty technology patent to axle of a utility model and appearance design, and more than forty existing products varieties.

Professional quality and customer satisfaction are our unswerving pursuit. Stability of product quality is the cornerstone of the company developing the market, the company has passed ISO9000 Quality Management System Certification and ISO/TS16949 International Quality System Certification, and set up the Physical and Chemical Testing Center by the joint-cooperation of Hefei Keying Chemical Technology Co., Ltd, which belong to China Science & Technology University. Now the products are widely used domestic and abroad market, and won critical acclaim.

Let us create wealth together.



■ 前驱桥装配线 ASSEMBLY LINE FOR STEER & DRIVE AXLE



■ 主减装配线 ASSEMBLY LINE FOR MAIN REDUCER

# 生产制作 >>> PRODUCTION AND FABRICATION



■ 轮毂装配线 ASSEMBLY LINE FOR BRAKE DRUM



■ 后桥装配线 ASSEMBLY LINE FOR REAR AXLE



■ 前桥装配线 ASSEMBLY LINE FOR FRONT STEERING AXLE

WANTENG AXLE

# 万腾车桥

WANTENG AXLE



  
**F 工厂设备 >>>**  
FACTORY EQUIPMENT



130加强型主减总成 (4500N.m)  
130 Enhanced Main Reducer Assembly



1058主减总成 (8000N.m)  
1058 Main Reducer Assembly



1069主减总成 (9000N.m)  
1069 Main Reducer Assembly



140主减总成 (16600N.m)  
140 Main Reducer Assembly



145主减总成 (18000N.m)  
145 Main Reducer Assembly



153主减总成 (30000N.m)  
153 Main Reducer Assembly



457主减总成 (40000N.m)  
457 Main Reducer Assembly



2040



2060



2082



1058



1088



153

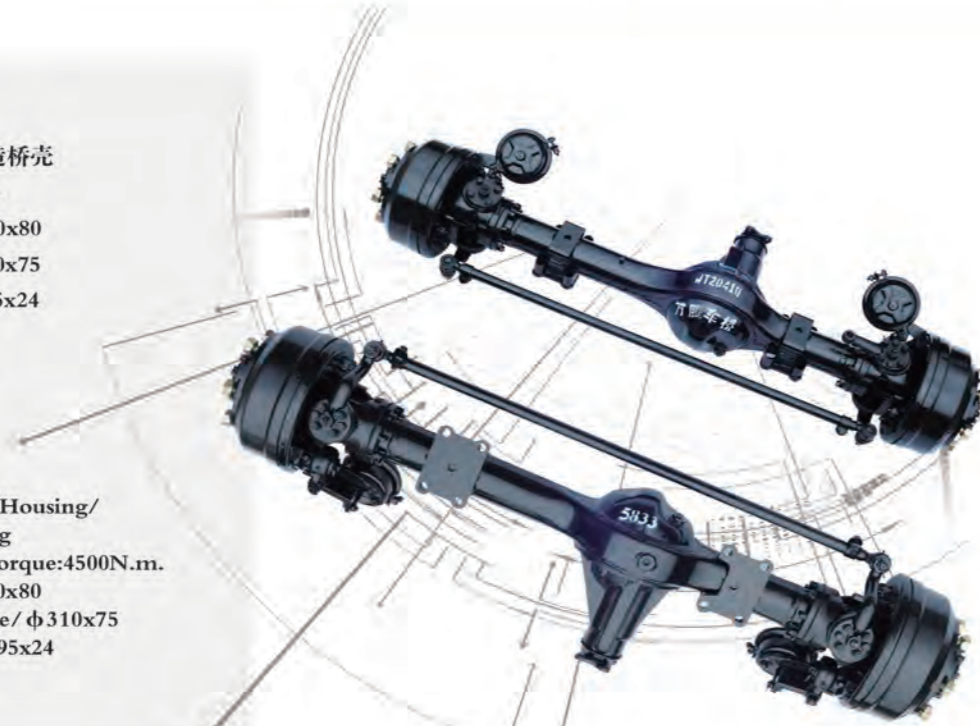


WT2041 技术参数

- 结构形式(可选): 冲压焊接桥壳/铸造桥壳
- 主减: 130, 最大输出扭矩: 4500N.m
- 制动器型式/规格: 鼓式气制动/φ310x80 (可选)  
鼓式液制动/φ310x75  
盘式液制动/φ295x24
- 轮胎螺栓/分布圆直径: 6/φ190 (可选)  
6/φ222.25
- 可选装ABS

WT2041 Steer & Drive Axle

- 1.Construction: Press-Welding Axle Housing/ (Optional) Casting Axle Housing
- 2.Main Reducer: 130,Max. Output Torque:4500N.m.
- 3.Brake Type/Spec.: Air Brake/φ310x80 (Optional) Hydraulic Brake/φ310x75 Disc Brake/φ295x24
- 4.Wheel Bolts/P.C.D.: 6/φ190 (Optional) 6/φ222.25
- 5.Optional for ABS



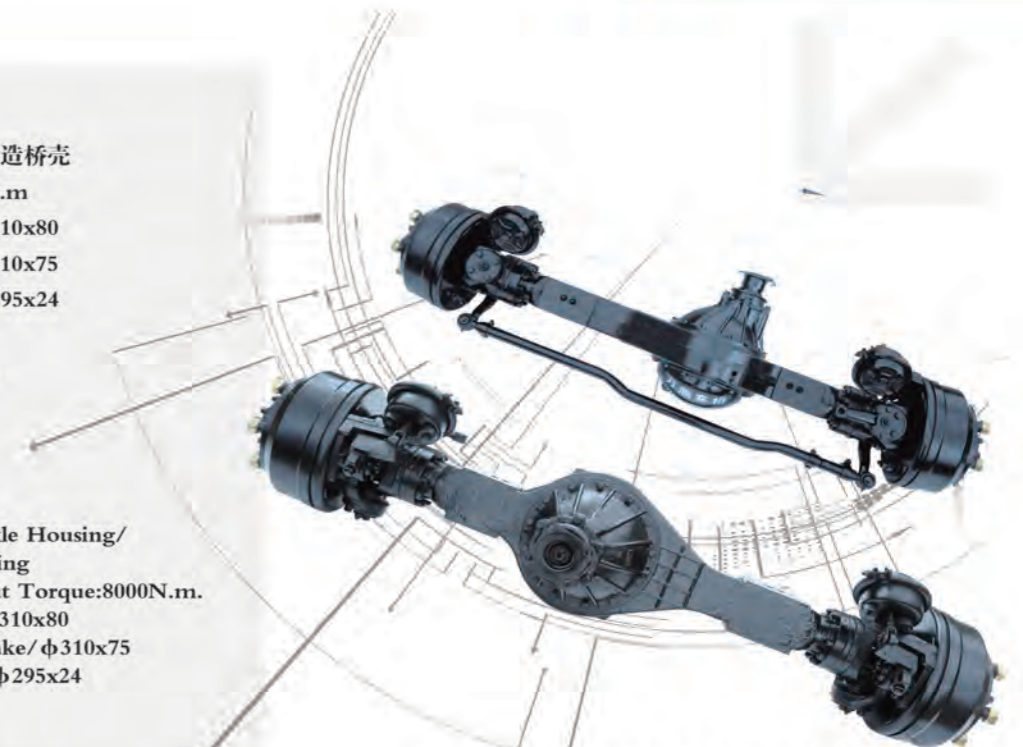
WT2041转向驱动桥

WT2050 技术参数

- 结构形式(可选): 冲压焊接桥壳/铸造桥壳
- 主减: 1058, 最大输出扭矩: 8000N.m
- 制动器型式/规格: 鼓式气制动/φ310x80 (可选)  
鼓式液制动/φ310x75  
盘式液制动/φ295x24
- 轮胎螺栓/分布圆直径: 6/φ190 (可选)  
6/φ222.25
- 可选装ABS

WT2050 Steer & Drive Axle

- 1.Construction: Press-Welding Axle Housing/ (Optional) Casting Axle Housing
- 2.Main Reducer: 1058,Max. Output Torque:8000N.m.
- 3.Brake Type/Spec.: Air Brake/φ310x80 (Optional) Hydraulic Brake/φ310x75 Disc Brake/φ295x24
- 4.Wheel Bolts/P.C.D.: 6/φ190 (Optional) 6/φ222.25
- 5.Optional for ABS



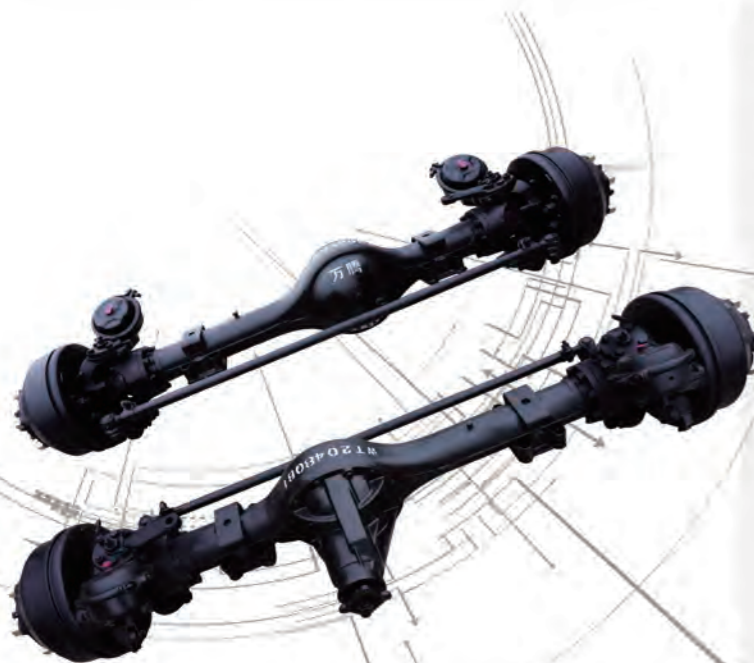
WT2050转向驱动桥

WT2048 技术参数

- 结构形式(可选): 冲压焊接桥壳/铸造桥壳
- 主减: 130, 最大输出扭矩: 4500N.m
- 制动器型式/规格: 鼓式气制动/φ310x80 (可选)  
鼓式液制动/φ310x75  
盘式液制动/φ295x24
- 轮胎螺栓/分布圆直径: 6/φ190 (可选)  
6/φ222.25
- 可选装ABS

WT2048 Steer & Drive Axle

- 1.Construction: Press-Welding Axle Housing/ (Optional) Casting Axle Housing
- 2.Main Reducer: 130,Max. Output Torque:4500N.m.
- 3.Brake Type/Spec.: Air Brake/φ310x80 (Optional) Hydraulic Brake/φ310x75 Disc Brake/φ295x24
- 4.Wheel Bolts/P.C.D.: 6/φ190 (Optional) 6/φ222.25
- 5.Optional for ABS



WT2048转向驱动桥

WT2058 技术参数

- 结构形式(可选): 冲压焊接桥壳/铸造桥壳
- 主减: 1058, 最大输出扭矩: 8000N.m
- 制动器型式/规格: 鼓式气制动/φ310x80 (可选)  
鼓式液制动/φ310x75  
盘式液制动/φ295x24
- 轮胎螺栓/分布圆直径: 6/φ190 (可选)  
6/φ222.25
- 可选装ABS

WT2058 Steer & Drive Axle

- 1.Construction: Press-Welding Axle Housing/ (Optional) Casting Axle Housing
- 2.Main Reducer: 1058,Max. Output Torque:8000N.m
- 3.Brake Type/Spec.: Air Brake/φ310x80 (Optional) Hydraulic Brake/φ310x75 Disc Brake/φ295x24
- 4.Wheel Bolts/P.C.D.: 6/φ190 (Optional) 6/φ222.25
- 5.Optional for ABS



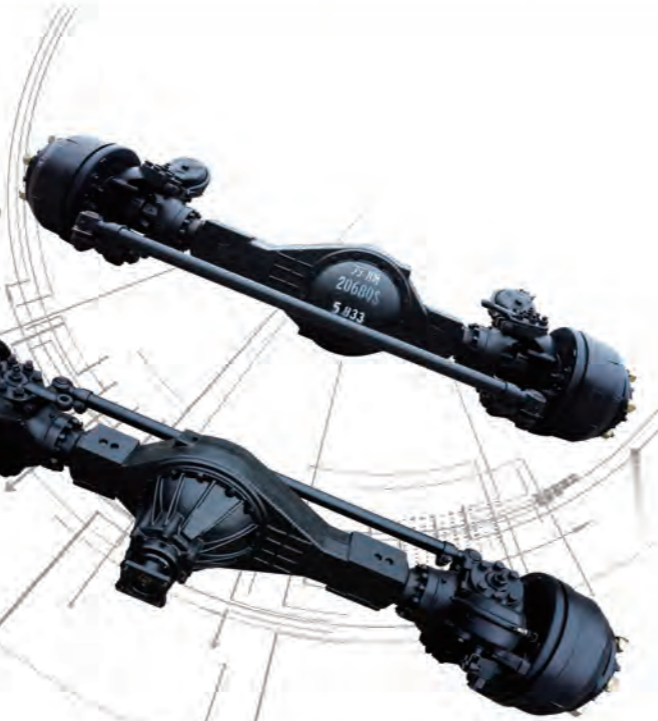
WT2058转向驱动桥

WT2069 技术参数

- 结构形式(可选): 冲压焊接桥壳/铸造桥壳
- 主减: 1058, 最大输出扭矩: 8000N.m
- 制动器型式/规格: 鼓式气制动/φ320x100  
(可选) 鼓式液制动/φ320x95  
盘式液制动/φ330x34
- 轮胎螺栓/分布圆直径: 6/φ205  
(可选) 6/φ222.25
- 可选装ABS

WT2069 Steer & Drive Axle

- 1.Construction: Press-Welding Axle Housing/  
(Optional) Casting Axle Housing
- 2.Main Reducer:1058,Max. Output Torque:8000N.m
- 3.Brake Type/Spec.: Air Brake/φ320x100  
(Optional) Hydraulic Brake/φ320x95  
Disc Brake/φ330x34
- 4.Wheel Bolts/P.C.D.:6/φ205  
(Optional) 6/φ222.25
- 5.Optional for ABS



WT2069转向驱动桥

WT2092 技术参数

- 结构形式(可选): 冲压焊接桥壳/铸造桥壳
- 主减: 140, 最大输出扭矩: 16600N.m  
(可选) 145, 最大输出扭矩: 18000N.m
- 制动器型式/规格: 鼓式气制动/φ320x130  
(可选) 鼓式气制动/φ420x100  
鼓式气制动/φ400x130
- 轮胎螺栓/分布圆直径: 8/φ275  
(可选) 10/φ285.75  
10/φ335
- 可选装ABS

WT2092 Steer & Drive Axle

- 1.Construction: Press-Welding Axle Housing/  
(Optional) Casting Axle Housing
- 2.Main Reducer:140,Max. Output Torque:16600N.m  
(Optional) 145,Max. Output Torque:18000N.m
- 3.Brake Type/Spec.: Air Brake/φ320x130  
(Optional) Air Brake/φ420x100  
Air Brake/φ400x130
- 4.Wheel Bolts/P.C.D.:8/φ275  
(Optional) 10/φ285.75  
10/φ335
- 5.Optional for ABS



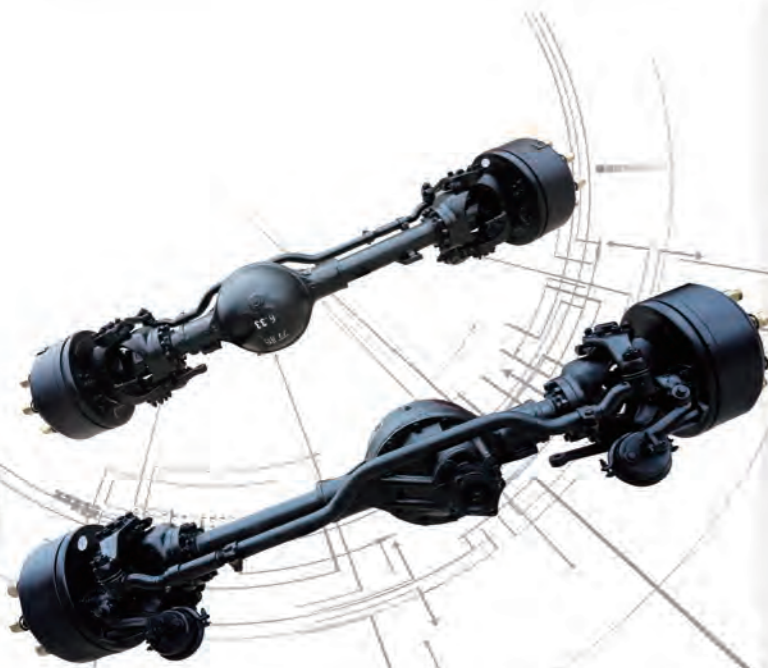
WT2092转向驱动桥

WT2082 技术参数

- 结构形式(可选): 铸钢插管式桥壳/铸造桥壳
- 主减: 1069, 最大输出扭矩: 9000N.m
- 制动器型式/规格: 鼓式气制动/φ320x100  
(可选) 鼓式气制动/φ380x90  
鼓式气制动/φ420x100  
盘式液制动/φ330x34
- 轮胎螺栓/分布圆直径: 6/φ205  
(可选) 6/φ222.25  
8/φ275
- 可选装ABS

WT2082 Steer & Drive Axle

- 1.Construction: Casting Steel Axle Housing with Tube/  
(Optional) Casting Axle Housing
- 2.Main Reducer:1069,Max. Output Torque:9000N.m
- 3.Brake Type/Spec.: Air Brake/φ320x100  
(Optional) Air Brake/φ380x90  
Air Brake/φ420x100  
Disc Brake/φ330x34
- 4.Wheel Bolts/P.C.D.:6/φ205  
(Optional) 6/φ222.25  
8/φ275
- 5.Optional for ABS



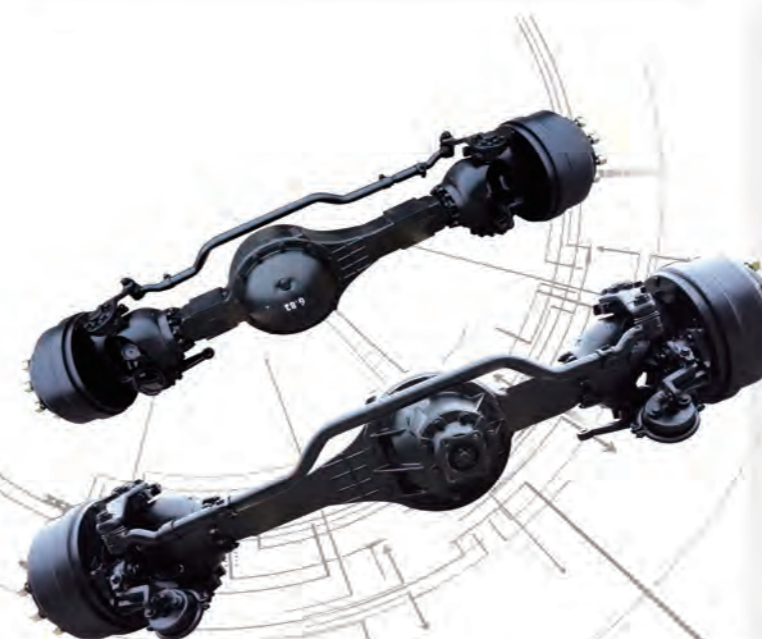
WT2082转向驱动桥

WT2095 技术参数

- 结构形式(可选): 冲压焊接桥壳/铸造桥壳
- 主减: 145, 最大输出扭矩: 18000N.m
- 制动器型式/规格: 气制动/φ400x130
- 轮胎螺栓/分布圆直径: 10/φ285.75  
(可选) 10/φ335
- 可选装ABS

WT2095 Steer & Drive Axle

- 1.Construction: Press-Welding Axle Housing/  
(Optional) Casting Axle Housing
- 2.Main Reducer:145,Max. Output Torque:18000N.m
- 3.Brake Type/Spec.: Air Brake/φ400x130
- 4.Wheel Bolts/P.C.D.:10/φ285.75  
(Optional) 10/φ335
- 5.Optional for ABS



WT2095转向驱动桥

WTQ1058 技术参数

- 结构形式: 整体锻造, 最大载荷2200KG
- 制动器型式/规格: 鼓式气制动/φ310x80 (可选)  
鼓式液制动/φ310x64  
鼓式液制动/φ310x75
- 轮胎螺栓/分布圆直径: 6/φ190 (可选)  
6/φ222.25
- 可选装ABS

WTQ1058 Front Steering Axle

- 1.Construction: Solid Forging, Max. Capacity: 2200KG
- 2.Brake Type/Spec.: Air Brake/φ310x80 (Optional)  
Hydraulic Brake/φ310x64  
Hydraulic Brake/φ310x75
- 3.Wheel Bolts/P.C.D.: 6/φ190 (Optional)  
6/φ222.25
- 4.Optional for ABS



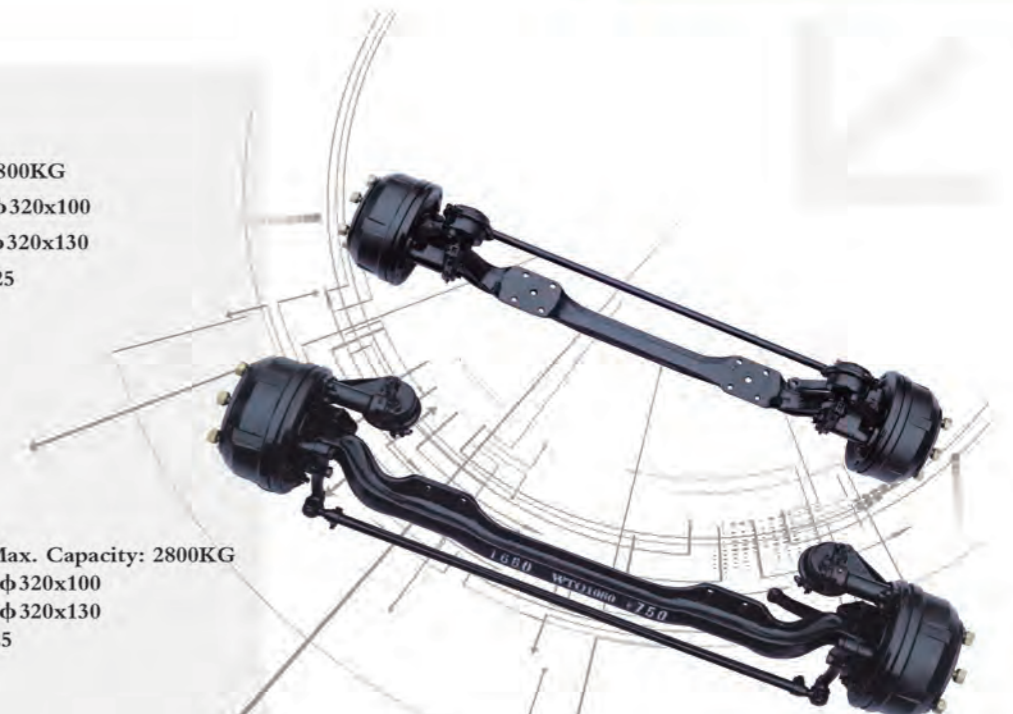
WTQ1058前转向桥

WTQ1080 技术参数

- 结构形式: 整体锻造, 最大载荷2800KG
- 制动器型式/规格: 鼓式气制动/φ320x100 (可选)  
鼓式气制动/φ320x130
- 轮胎螺栓/分布圆直径: 6/φ222.25
- 可选装ABS

WTQ1080 Front Steering Axle

- 1.Construction: Solid Forging, Max. Capacity: 2800KG
- 2.Brake Type/Spec.: Air Brake/φ320x100 (Optional)  
Air Brake/φ320x130
- 3.Wheel Bolts/P.C.D.: 6/φ222.25
- 4.Optional for ABS



WTQ1080前转向桥

WTQ1069 技术参数

- 结构形式: 整体锻造, 最大载荷2400KG
- 制动器型式/规格: 鼓式气制动/φ320x100 (可选)  
鼓式液制动/φ320x95
- 轮胎螺栓/分布圆直径: 6/φ222.25
- 可选装ABS

WTQ1069 Front Steering Axle

- 1.Construction: Solid Forging, Max. Capacity: 2400KG
- 2.Brake Type/Spec.: Air Brake/φ320x100 (Optional)  
Hydraulic Brake/φ320x95
- 3.Wheel Bolts/P.C.D.: 6/φ222.25
- 4.Optional for ABS



WTQ1069前转向桥

WTQ1090 技术参数

- 结构形式: 整体锻造, 最大载荷3000KG
- 制动器型式/规格: 鼓式气制动/φ420x80
- 轮胎螺栓/分布圆直径: 8/φ275
- 可选装ABS

WTQ1090 Front Steering Axle

- 1.Construction: Solid Forging, Max. Capacity: 3000KG
- 2.Brake Type/Spec.: Air Brake/φ420x80
- 3.Wheel Bolts/P.C.D.: 8/φ275
- 4.Optional for ABS



WTQ1090前转向桥

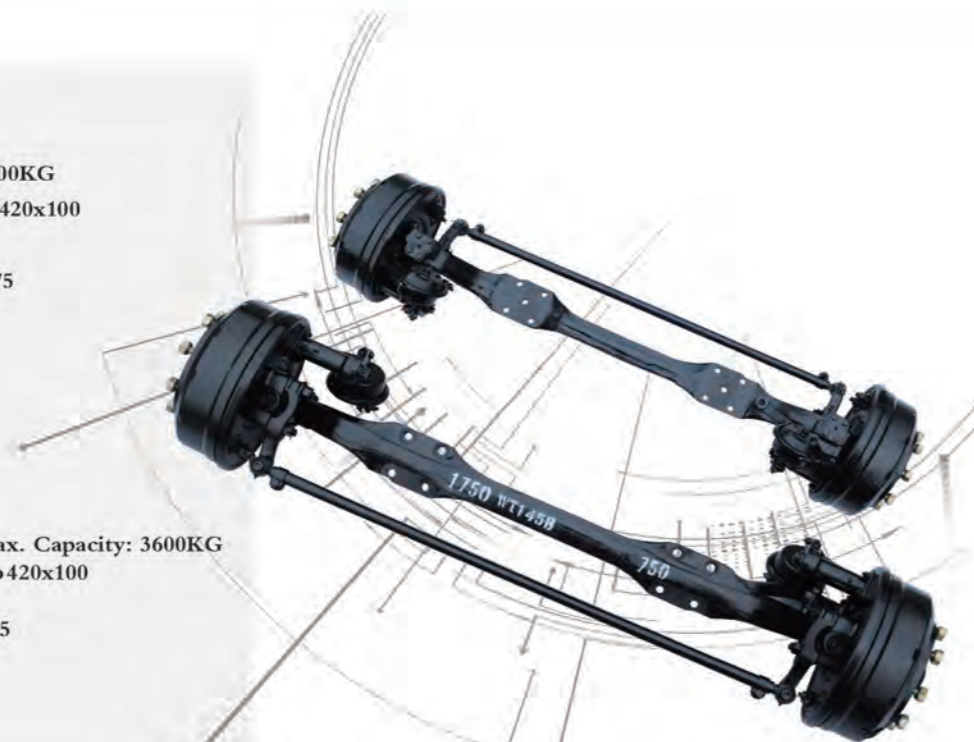


WTQ145 技术参数

- 结构形式: 整体锻造, 最大载荷3600KG
- 制动器型式/规格: 鼓式气制动/φ420x100
- 轮胎螺栓/分布圆直径: 8/φ275  
(可选) 10/φ285.75
- 可选装ABS

WTQ145 Front Steering Axle

- 1.Construction: Solid Forging, Max. Capacity: 3600KG
- 2.Brake Type/Spec.: Air Brake/φ420x100
- 3.Wheel Bolts/P.C.D.: 8/φ275  
(Optional) 10/φ285.75
- 4.Optional for ABS



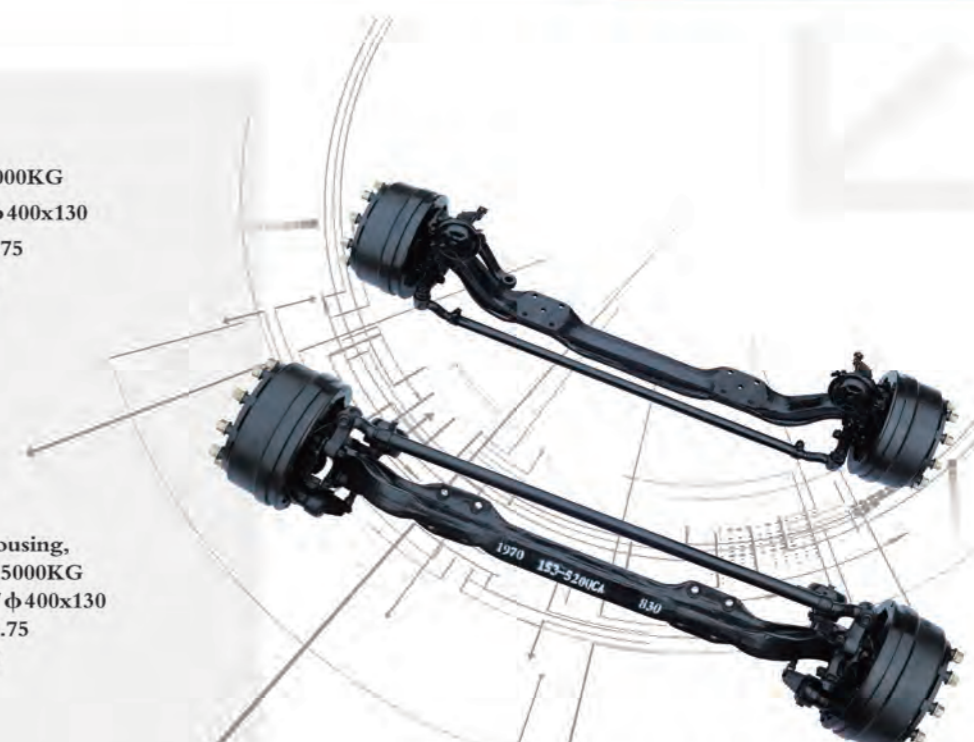
WTQ145前转向桥

WTQ153 技术参数

- 结构形式: 铸造桥壳, 最大载荷5000KG
- 制动器型式/规格: 鼓式气制动/φ400x130
- 轮胎螺栓/分布圆直径: 10/φ285.75  
(可选) 10/φ335
- 可选装ABS

WTQ153 Front Steering Axle

- 1.Construction: Casting Axle Housing, Max. Capacity: 5000KG
- 2.Brake Type/Spec.: Air Brake/φ400x130
- 3.Wheel Bolts/P.C.D.: 10/φ285.75  
(Optional) 10/φ335
- 4.Optional for ABS



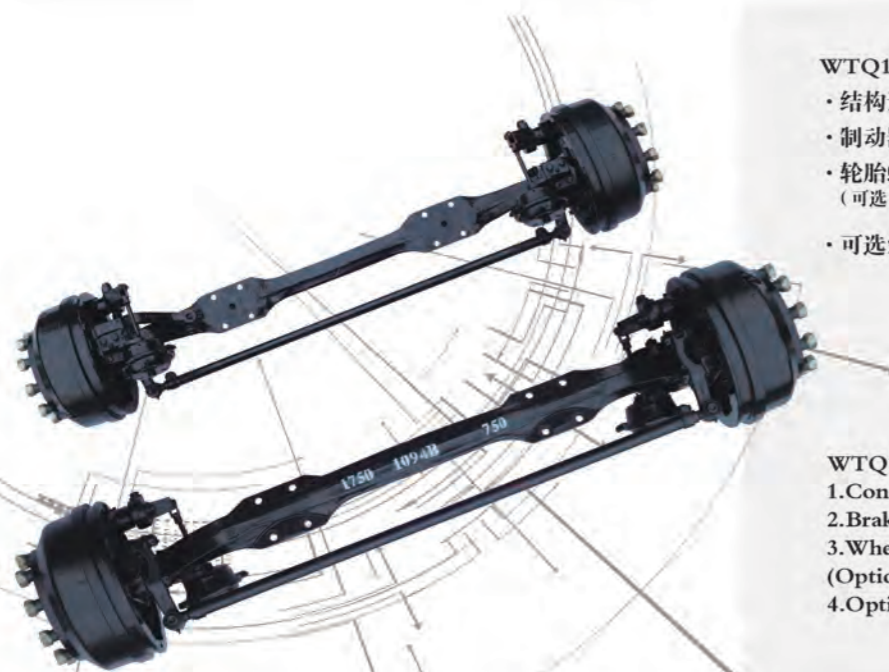
WTQ153前转向桥

WTQ1094 技术参数

- 结构形式: 整体锻造, 最大载荷4000KG
- 制动器型式/规格: 鼓式气制动/φ400x130
- 轮胎螺栓/分布圆直径: 8/φ275  
(可选) 10/φ287.75
- 可选装ABS

WTQ1094 Front Steering Axle

- 1.Construction: Solid Forging, Max. Capacity: 4000KG
- 2.Brake Type/Spec.: Air Brake/φ400x130
- 3.Wheel Bolts/P.C.D.: 8/φ275  
(Optional) 10/φ287.75
- 4.Optional for ABS



WTQ1094前转向桥

WTQ457 技术参数

- 结构形式: 整体锻造, 最大载荷6500KG
- 制动器型式/规格: 鼓式气制动/φ400x150
- 轮胎螺栓/分布圆直径: 10/φ335
- 可选装ABS

WTQ457 Front Steering Axle

- 1.Construction: Solid Forging, Max. Capacity: 6500KG
- 2.Brake Type/Spec.: Air Brake/φ400x150
- 3.Wheel Bolts/P.C.D.: 10/φ335
- 4.Optional for ABS



WTQ457前转向桥

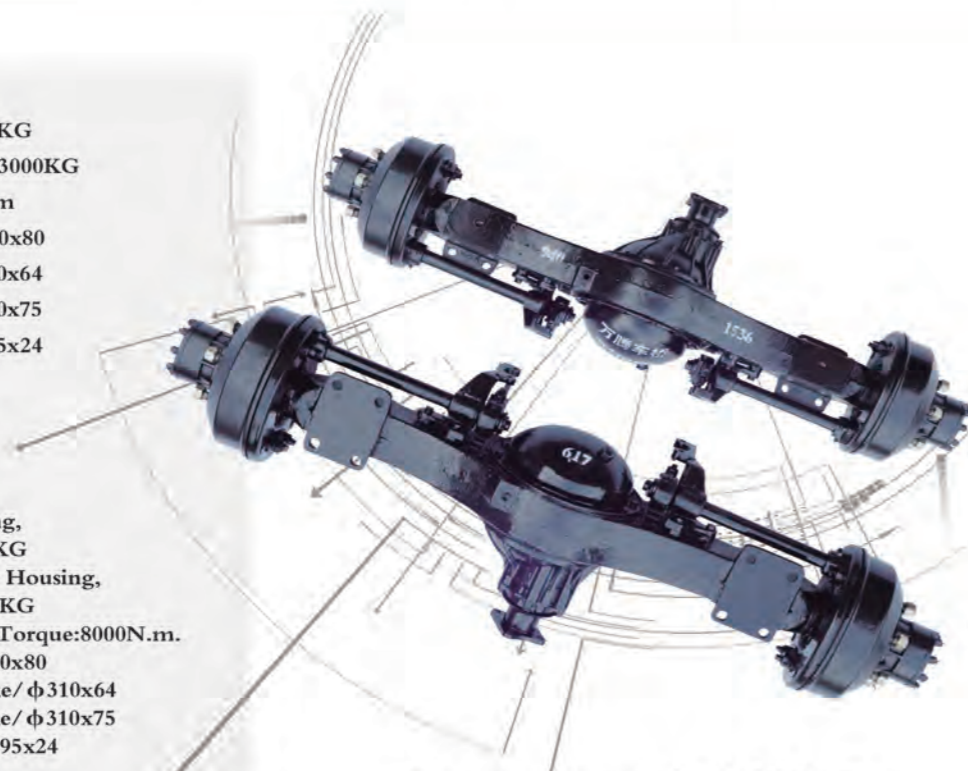
WTH1058 技术参数

- 结构形式: 铸造桥壳, 最大载荷3000KG  
(可选) 冲压焊接桥壳, 最大载荷3000KG
- 主减: 1058, 最大输出扭矩: 8000N.m
- 制动器型式/规格: 鼓式气制动/φ310x80  
(可选) 鼓式液制动/φ310x64  
鼓式液制动/φ310x75  
盘式液制动/φ295x24
- 轮胎螺栓/分布圆直径: 6/φ190  
(可选) 6/φ222.25

· 可选装ABS

WTH1058 Rear Drive Axle

- 1.Construction: Casting Axle Housing,  
Max.Capacity: 3000KG  
(Optional) Press-Welding Axle Housing,  
Max. Capacity: 3000KG
- 2.Main Reducer: 1058,Max. Output Torque:8000N.m.
- 3.Brake Type/Spec.: Air Brake/φ310x80  
(Optional) Hydraulic Brake/φ310x64  
Hydraulic Brake/φ310x75  
Disc Brake/φ295x24
- 4.Wheel Bolts/P.C.D.: 6/φ190  
(Optional) 6/φ222.25
- 5.Optional for ABS



WTH1058后驱动桥

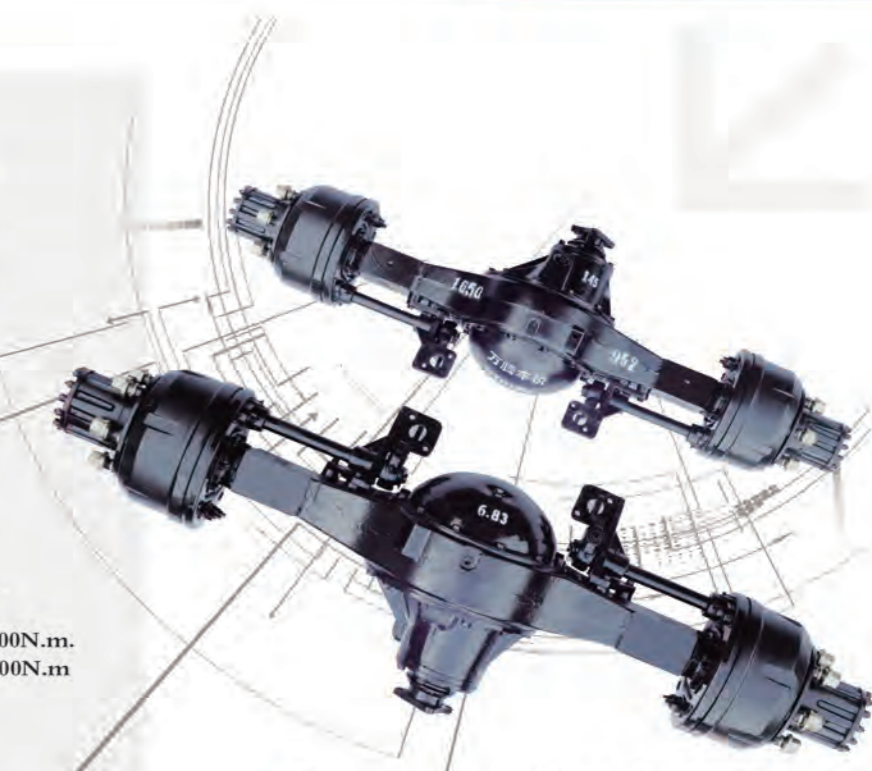
WTH1080 技术参数

- 结构形式: 铸造桥壳, 最大载荷5000KG  
(可选) 冲压焊接桥壳, 最大载荷5000KG
- 主减: 140, 最大输出扭矩: 16600N.m  
(可选) 145, 最大输出扭矩: 18000N.m
- 制动器型式/规格: 鼓式气制动/φ320x130  
(可选) 鼓式气制动/φ320x150  
盘式液制动/φ330x34
- 轮胎螺栓/分布圆直径: 6/φ205  
(可选) 6/φ222.25

· 可选装ABS

WTH1080 Rear Drive Axle

- 1.Construction: Casting Axle Housing,  
Max. Capacity: 5000KG  
(Optional) Press-Welding Axle Housing,  
Max. Capacity: 5000KG
- 2.Main Reducer: 140,Max. Output Torque:16600N.m.  
(Optional) 145,Max. Output Torque:18000N.m
- 3.Brake Type/Spec.: Air Brake/φ320x130  
(Optional) Air Brake/φ320x150  
Disc Brake/φ330 x34
- 4.Wheel Bolts/P.C.D.: 6/φ205  
(Optional) 6/φ222.25
5. Optional for ABS



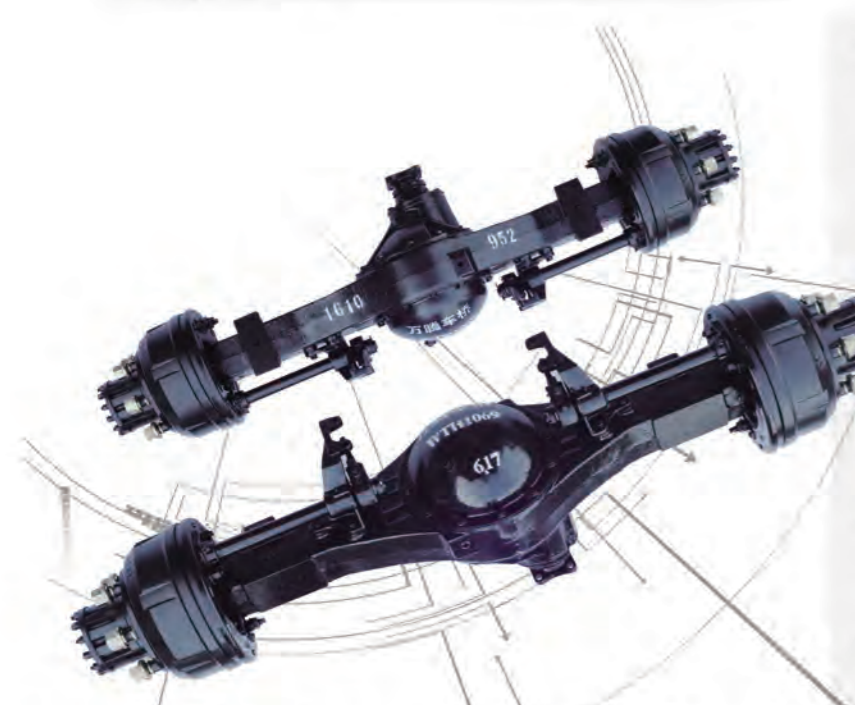
WTH1080后驱动桥

WTH1069 技术参数

- 结构形式: 铸造桥壳, 最大载荷4000KG  
(可选) 铸钢插管式桥壳, 最大载荷4000KG
- 主减: 1069, 最大输出扭矩: 9000N.m
- 制动器型式/规格: 鼓式气制动/φ320x100  
(可选) 鼓式液制动/φ320x95
- 轮胎螺栓/分布圆直径: 6/φ222.25
- 可选装ABS

WTH1069 Rear Drive Axle

- 1.Construction: Casting Axle Housing,  
Max. Capacity: 4000KG  
(Optional) Casting Steel Axle Housing with tube,  
Max. Capacity: 4000KG
- 2.Main Reducer:1069,Max. Output Torque:9000N.m.
- 3.Brake Type/Spec.: Air Brake/φ320x100  
(Optional) Hydraulic Brake/φ320x95
- 4.Wheel Bolts/P.C.D.: 6/φ222.25
- 5.Optional for ABS



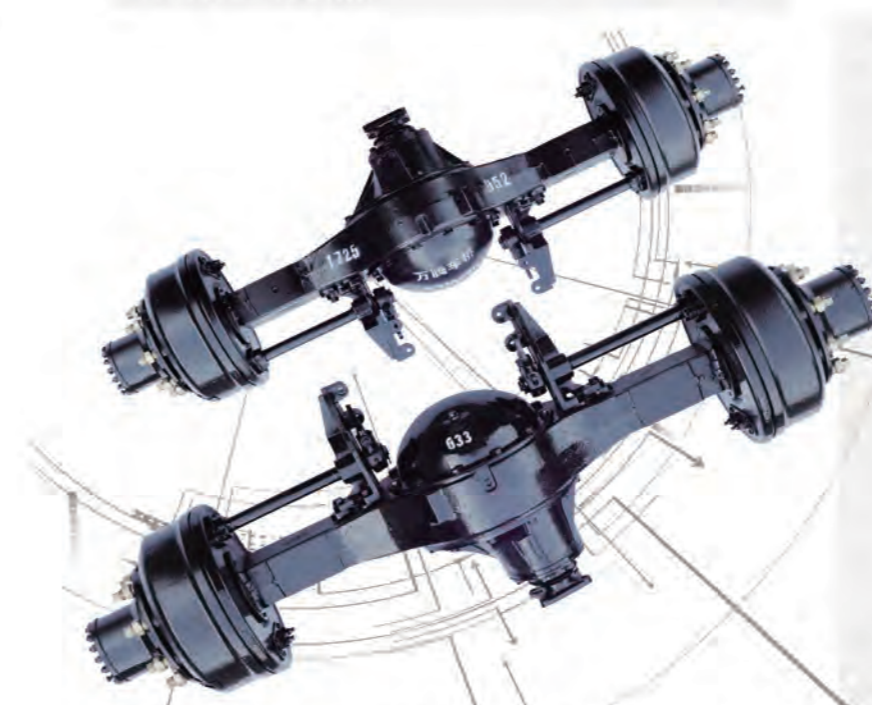
WTH1069后驱动桥

WTH145 技术参数

- 结构形式: 铸造桥壳, 最大载荷8000KG  
(可选) 冲压焊接桥壳, 最大载荷8000KG
- 主减: 145, 最大输出扭矩: 18000N.m
- 制动器型式/规格: 鼓式气制动/φ400x155  
(可选) 鼓式气制动/φ400x180  
鼓式气制动/φ420x125
- 轮胎螺栓/分布圆直径: 8/φ275
- 可选装ABS

WTH145 Rear Drive Axle

- 1.Construction: Casting Axle Housing,  
Max. Capacity: 8000KG  
(Optional) Press-Welding Axle Housing,  
Max. Capacity: 8000KG
- 2.Main Reducer:145,Max. Output Torque:18000N.m
- 3.Brake Type/Spec.: Air Brake/φ400x155  
(Optional) Air Brake/φ400x180  
Air Brake/φ420X125
- 4.Wheel Bolts/P.C.D.:8/φ275
- 5.Optional for ABS



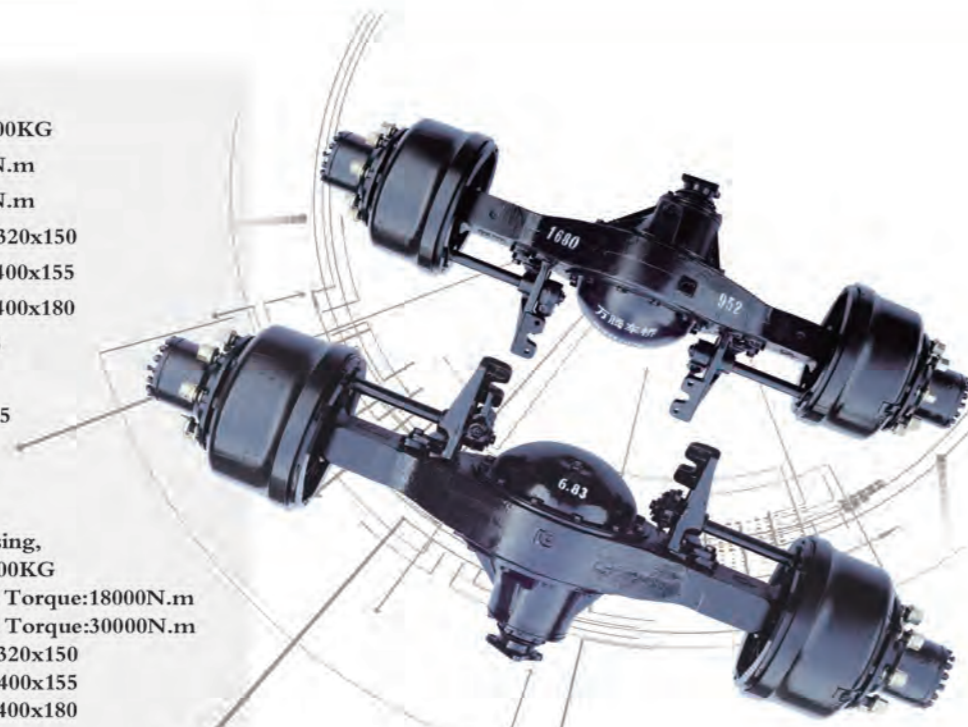
WTH145后驱动桥

WTH1098 技术参数

- 结构形式: 铸造桥壳, 最大载荷8000KG
- 主减: 145, 最大输出扭矩: 18000N.m  
(可选) 153, 最大输出扭矩: 30000N.m
- 制动器型式/规格: 鼓式气制动/φ320x150  
(可选) 鼓式气制动/φ400x155  
鼓式气制动/φ400x180
- 轮胎螺栓/分布圆直径: 6/φ222.25  
(可选) 8/φ275  
10/φ285.75
- 可选装ABS

WTH1098 Rear Drive Axle

- 1.Construction: Casting Axle Housing,  
Max. Capacity: 8000KG
- 2.Main Reducer: 145,Max. Output Torque:18000N.m  
(Optional) 153,Max. Output Torque:30000N.m
- 3.Brake Type/Spec.: Air Brake/φ320x150  
(Optional) Air Brake/φ400x155  
Air Brake/φ400x180
- 5.Wheel Bolts/P.C.D.: 6/φ222.25  
(Optional) 8/φ275  
10/φ285.75
- 6.Optional for ABS



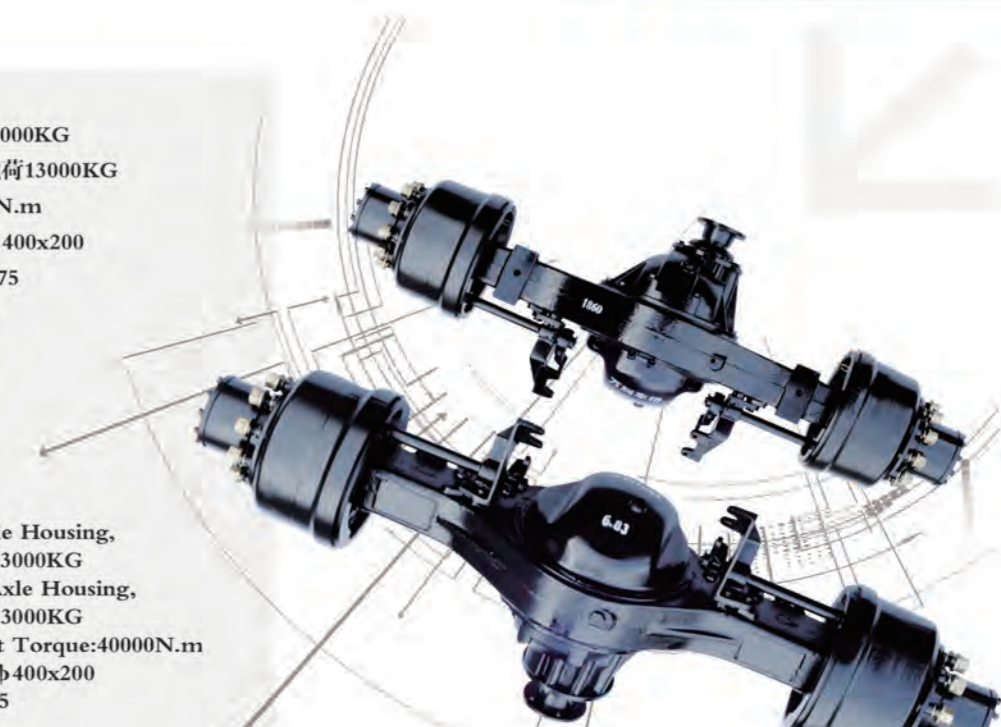
WTH1098后驱动桥

WTH457 技术参数

- 结构形式: 铸钢桥壳, 最大载荷13000KG  
(可选) 冲压焊接桥壳, 最大载荷13000KG
- 主减: 457, 最大输出扭矩: 40000N.m
- 制动器型式/规格: 鼓式气制动/φ400x200
- 轮胎螺栓/分布圆直径: 10/φ285.75  
(可选) 10/φ335
- 可选装ABS

WTH457 Rear Drive Axle

- 1.Construction: Casting Steel Axle Housing,  
Max. Capacity: 13000KG  
(Optional) Press-Welding Axle Housing,  
Max. Capacity: 13000KG
- 2.Main Reducer:457,Max. Output Torque:40000N.m
- 3.Brake Type/Spec.: Air Brake/φ400x200
- 4.Wheel Bolts/P.C.D.:10/φ285.75  
(Optional) 10/φ335
- 5.Optional for ABS



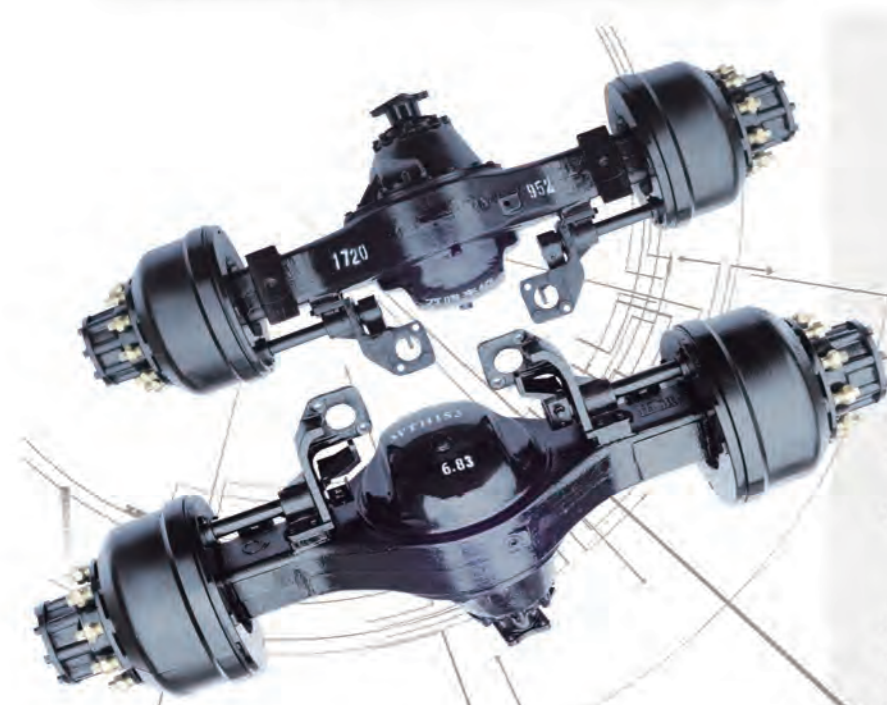
WTH457后驱动桥

WTH153 技术参数

- 结构形式: 铸造桥壳, 最大载荷10000KG  
(可选) 铸钢桥壳, 最大载荷10000KG  
冲压焊接桥壳, 最大载荷10000KG
- 主减: 153, 最大输出扭矩: 30000N.m
- 制动器型式/规格: 鼓式气制动/φ410x180
- 轮胎螺栓/分布圆直径: 8/φ275  
(可选) 10/φ285.75
- 可选装ABS

WTH153 Rear Drive Axle

- 1.Construction: Casting Axle Housing,  
Max. Capacity: 10000KG  
(Optional) Casting Steel Axle Housing,  
Max. Capacity: 10000KG  
Press-Welding Axle Housing,  
Max. Capacity: 10000KG
- 2.Main Reduce:153,Max. Output Torque:30000N.m
- 3.Brake Type/Spec.: Air Brake/φ410x180
- 4.Wheel Bolts/P.C.D.:8/φ275  
(Optional) 10/φ285.75
- 5.Optional for ABS



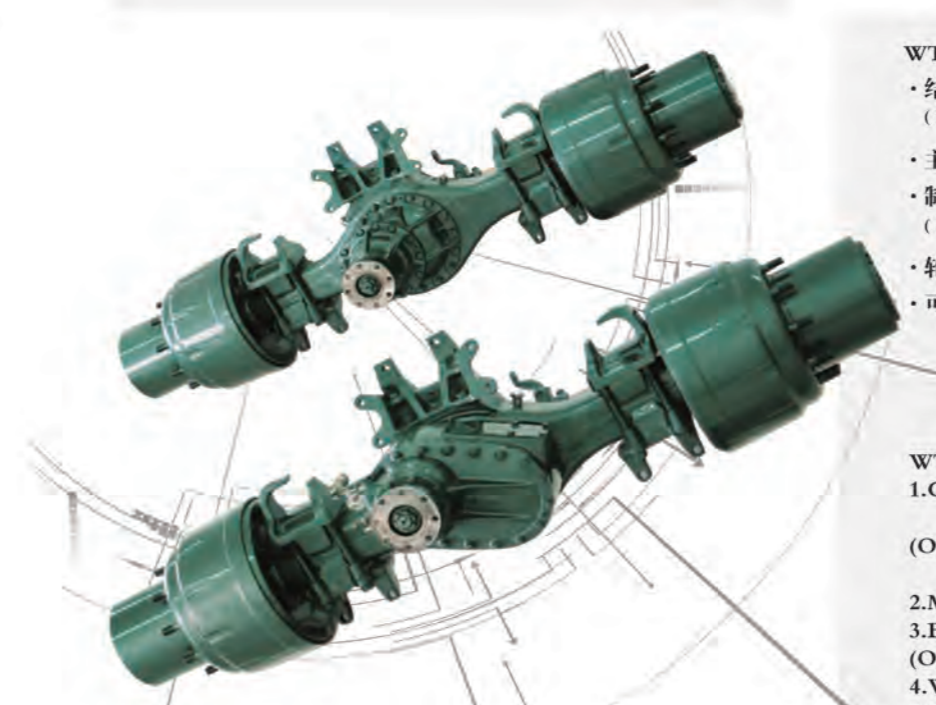
WTH153后驱动桥

WT STR 技术参数

- 结构形式: 铸钢桥壳, 单桥最大载荷13000KG  
(可选) 冲压焊接桥壳, 单桥最大载荷13000KG
- 主减: STR, 最大输出扭矩: 50000N.m
- 制动器型式/规格: 鼓式气制动/φ410x180  
(可选) 鼓式气制动/φ420x185
- 轮胎螺栓/分布圆直径: 10/φ335
- 可选装ABS

WT STR Rear Double-Drive Axle

- 1.Construction: Casting Steel Axle Housing,  
Single Axle Max. Capacity: 13000KG  
(Optional) Press-Welding Axle Housing,  
Single Axle Max.Capacity: 13000KG
- 2.Main Reducer:STR,Max. Output Torque:50000N.m.
- 3.Brake Type/Spec.: Air Brake/φ410x180  
(Optional) Air Brake/φ420x185
- 4.Wheel Bolts/P.C.D.: 10/φ335
- 5.Optional for ABS



WT STR双驱动桥

### WT1088 技术参数

- 结构形式: 冲压焊接桥壳, 单桥最大载荷6500KG
- 中桥主减: 1088, 最大输出扭矩: 16600N.m
- 后桥主减: 145, 最大输出扭矩: 18000N.m
- 制动器型式/规格: 鼓式气制动/φ320x150 (可选)  
鼓式气制动/φ400x155
- 轮胎螺栓/分布圆直径: 6/φ222.25 (可选)  
8/φ275
- 可选装ABS

### WT1088 Rear Drive Axle

1. Construction: Press-Welding Axle Housing, Single Axle Max. Capacity: 6500KG
2. Middle Axle Main Reducer: 1088, Max. Output Torque: 16600N.m.
3. Rear Axle Main Reducer: 145, Max. Output Torque: 18000N.m.
4. Brake Type/Spec.: Air Brake/φ320x150 (Optional) Air Brake/φ400x155
5. Wheel Bolts/P.C.D.: 6/φ222.25 (Optional) 8/φ275
6. Optional for ABS



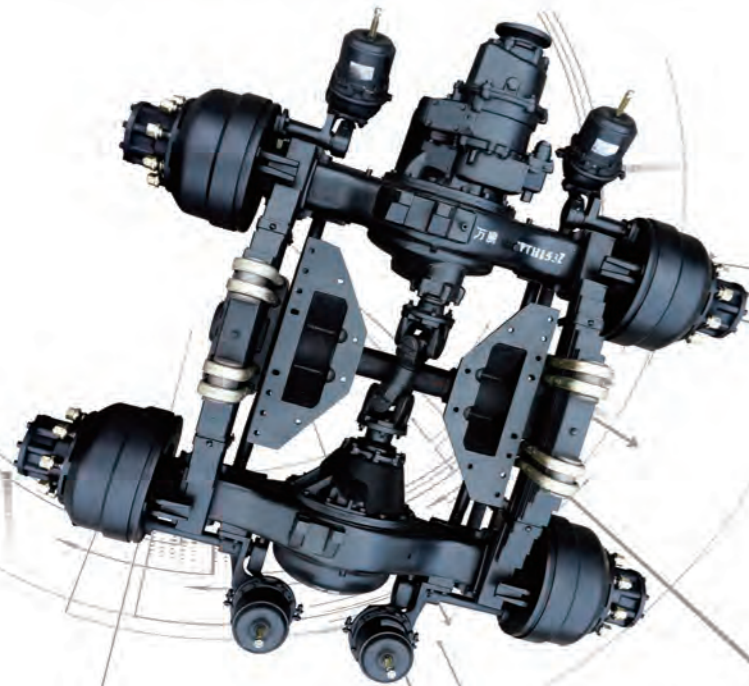
WT1088后驱动桥

### WT153 技术参数

- 结构形式: 冲压焊接桥壳, 单桥最大载荷10000KG
- 主减: 153, 最大输出扭矩: 30000N.m
- 制动器型式/规格: 鼓式气制动/φ410x180
- 轮胎螺栓/分布圆直径: 8/φ275 (可选)  
10/φ285.75
- 可选装ABS

### WT153 Rear Drive Axle

1. Construction: Press-Welding Axle Housing, Single Axle Max. Capacity: 10000KG
2. Main Reducer: 153, Max. Output Torque: 30000N.m.
3. Brake Type/Spec.: Air Brake/φ410x180
4. Wheel Bolts/P.C.D.: 8/φ275 (Optional) 10/φ285.75
5. Optional for ABS



WT153后驱动桥



