



ISO9001:2015
QUALITY SYSTEM CERTIFICATION



ADULT PRODUCTS
MANUFACTURER



We are determined to become a core manufacturer in the field of adult products, personal care and beauty care with the continuous improvement of quality, innovation and efficiency!

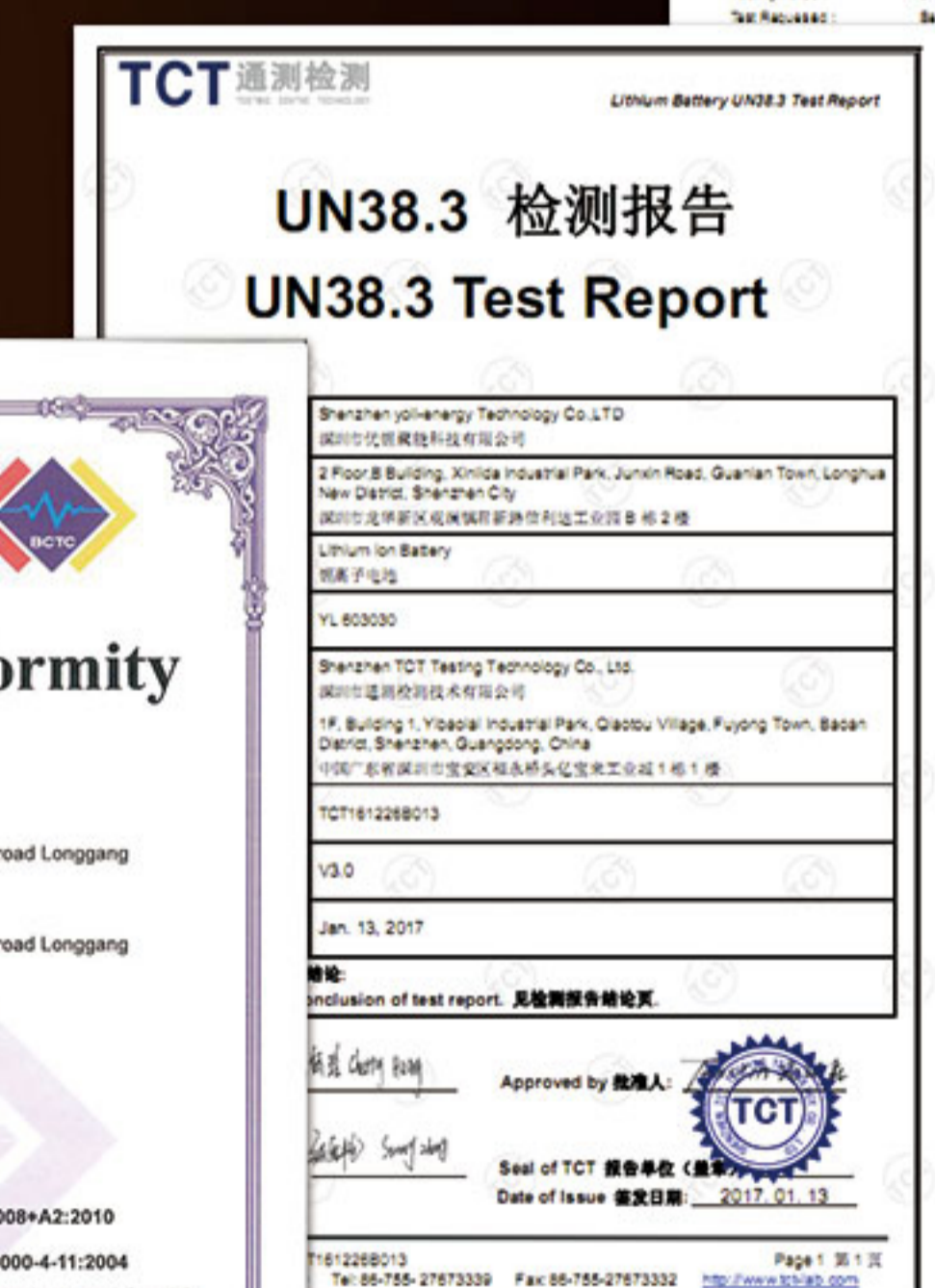




COMPANY PROFILE

Shenzhen ALLTOKEE Technology Co., Ltd. (ALLTOKEE) was established in 2013 which is a modern high-speed development enterprise integrating R & D, production and sales of beauty care, life health care, and adult sex toys. Our company has an experienced R&D design team, advanced production technology and a group of strong, practical and innovative partners. We have passed the ISO9001:2015 quality system certification in 2019, We firmly believe that "innovation is the soul of an enterprise, quality is the life of an enterprise, and integrity is the foundation of an enterprise." ALLTOKEE encourage ourselves to continue to provide customers with more creative and better products, and sincerely work with friends at home and abroad to create a mutually beneficial future!

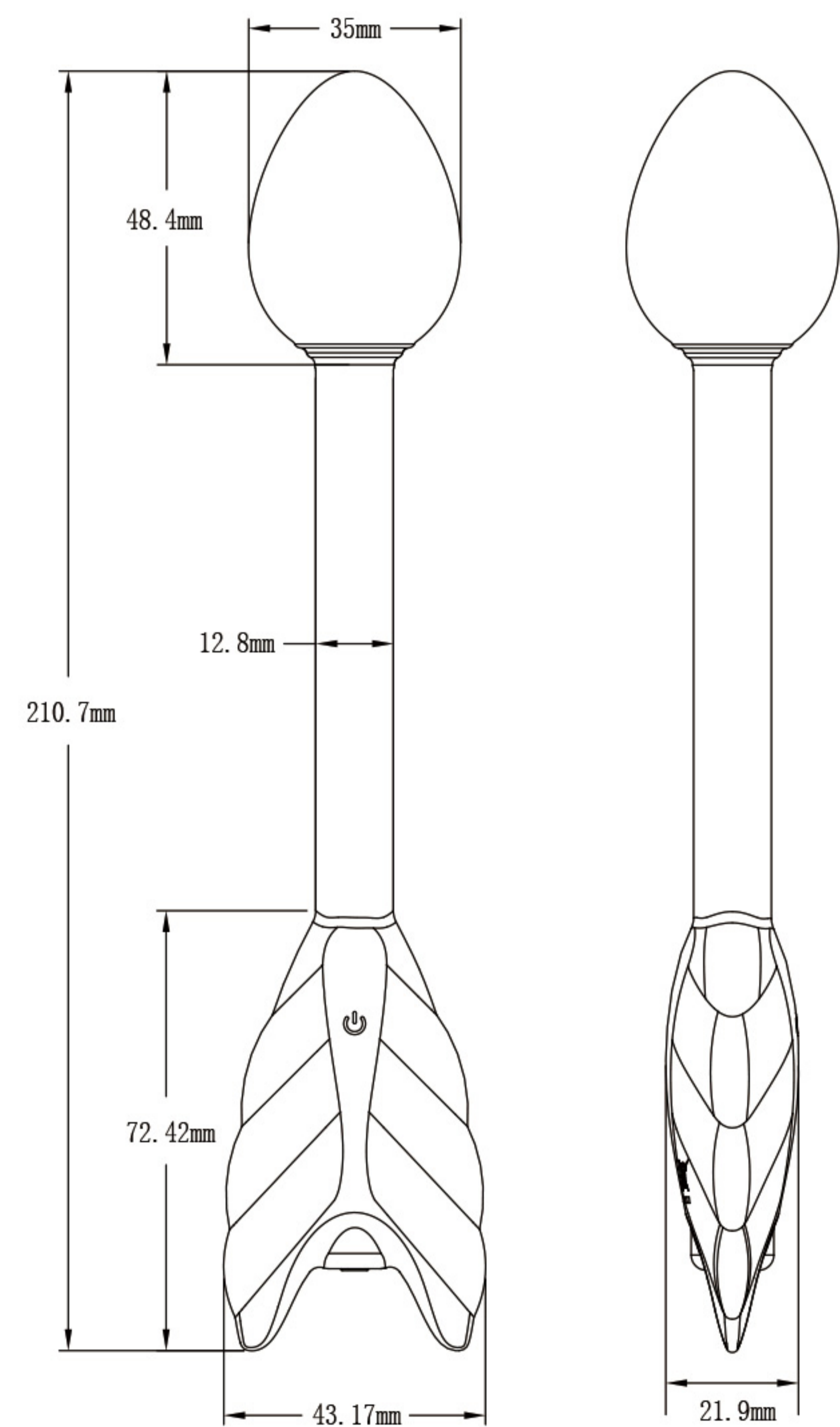
- **Always keep the original intention in mind**
creating value for customers, creating future for employees, creating profits for the company and creating prosperity for the society.
- **The pursuit of excellence**
to win customers' trust and market competitiveness by quality, innovation and efficiency; to enhance the cohesion and combat effectiveness of the team by learning, respecting and sharing.
- **Sincerity and dedication**
Dedicate to work with integrity ideas and a positive attitude of go all out in work.
- **Win-win situation**
based on the long-term, layout the future and integrate resources to achieve win-win cooperation with customers, employees and partners.



A0047 APROW

Specification

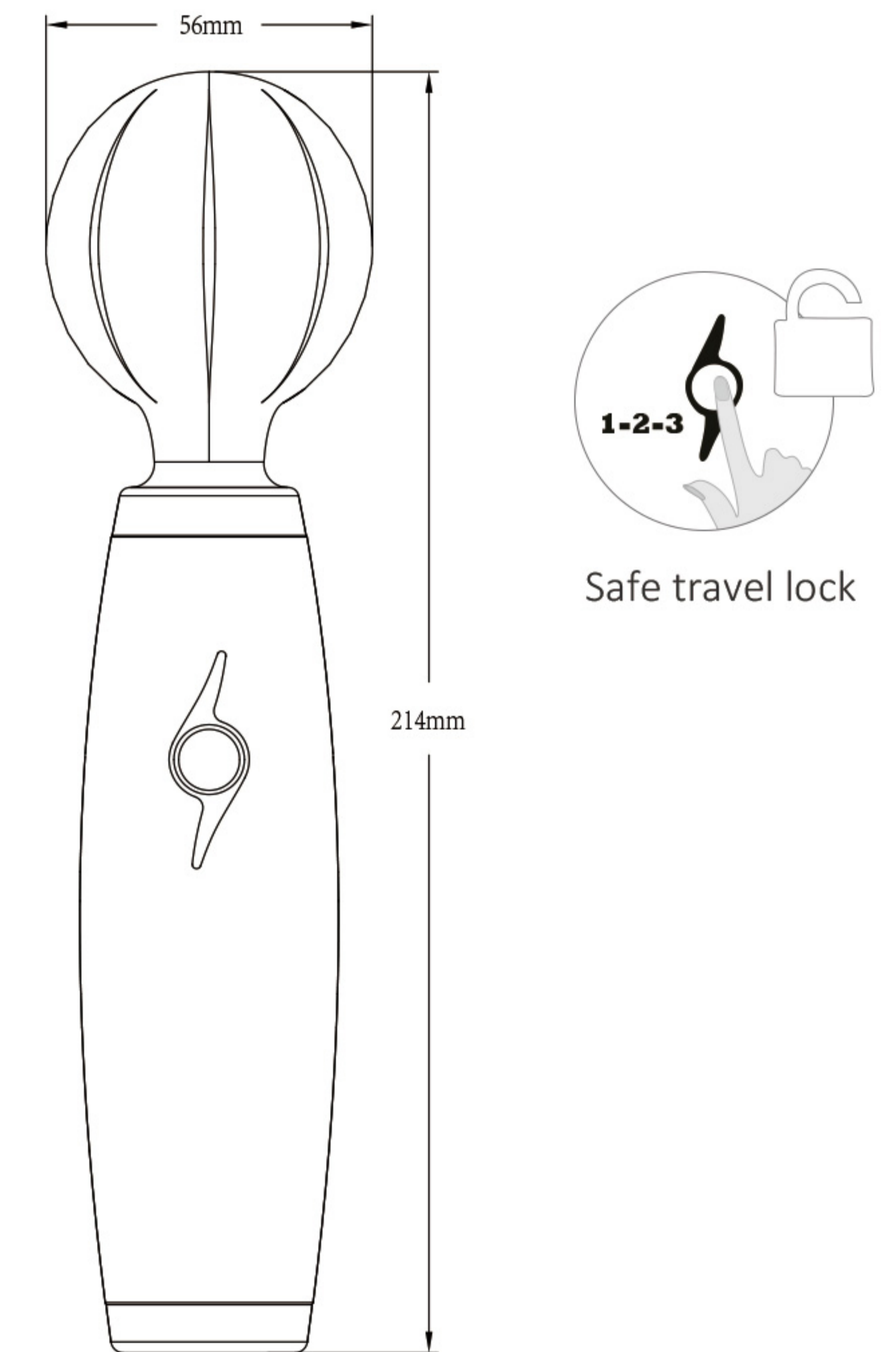
- Material: Silicone , ABS
- Vibration mode: 7 types
- Working voltage: 3.7V
- Battery capacity: 220mAh
- Waterproof: IPX7
- Working noise: <60 dB
- Duration: > 65 minutes (under fully charged)



A0048 MJOLLNIR

Specification

- Material: Silicone , ABS
- Vibration : Incremental speed control for precise power
- Working voltage: 3.7V
- Battery capacity: 1000mAh
- Waterproof: IPX6
- Working noise: <60 dB
- Duration: > 60 minutes (under fully charged)



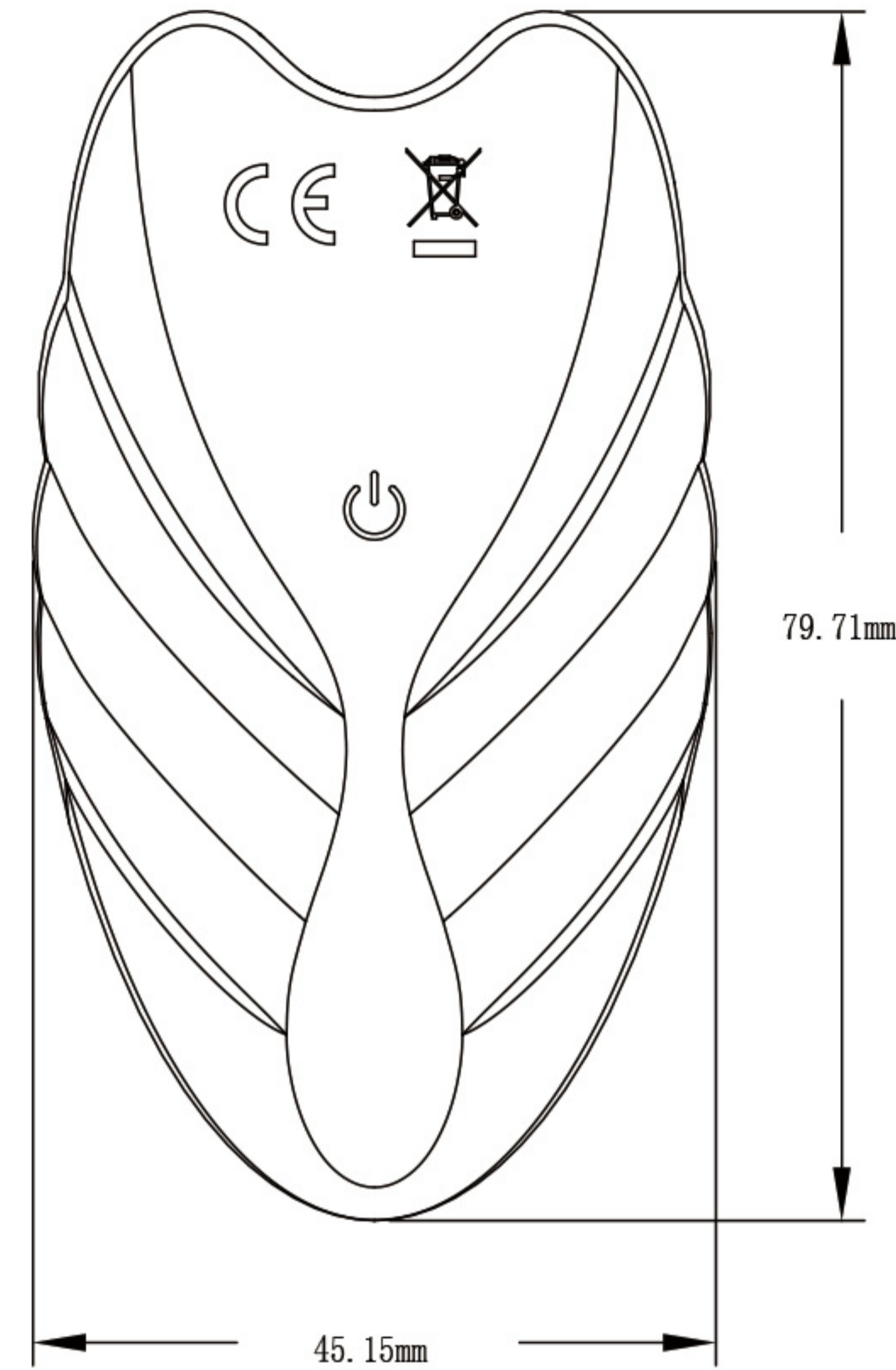
CUSTOMIZED COLOR IS AVAILABLE

CUSTOMIZED COLOR IS AVAILABLE

R0022 ANGELA

Specification

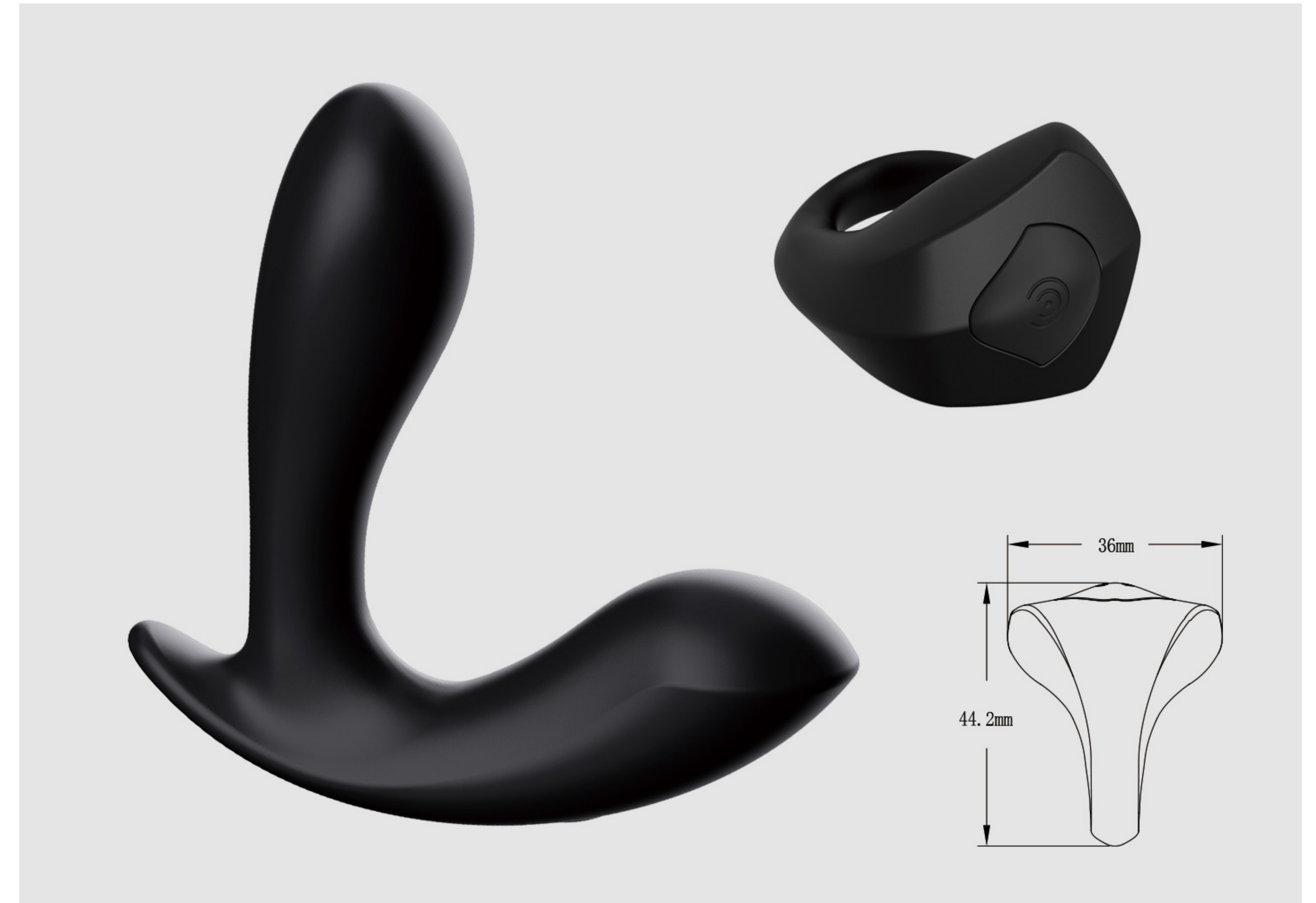
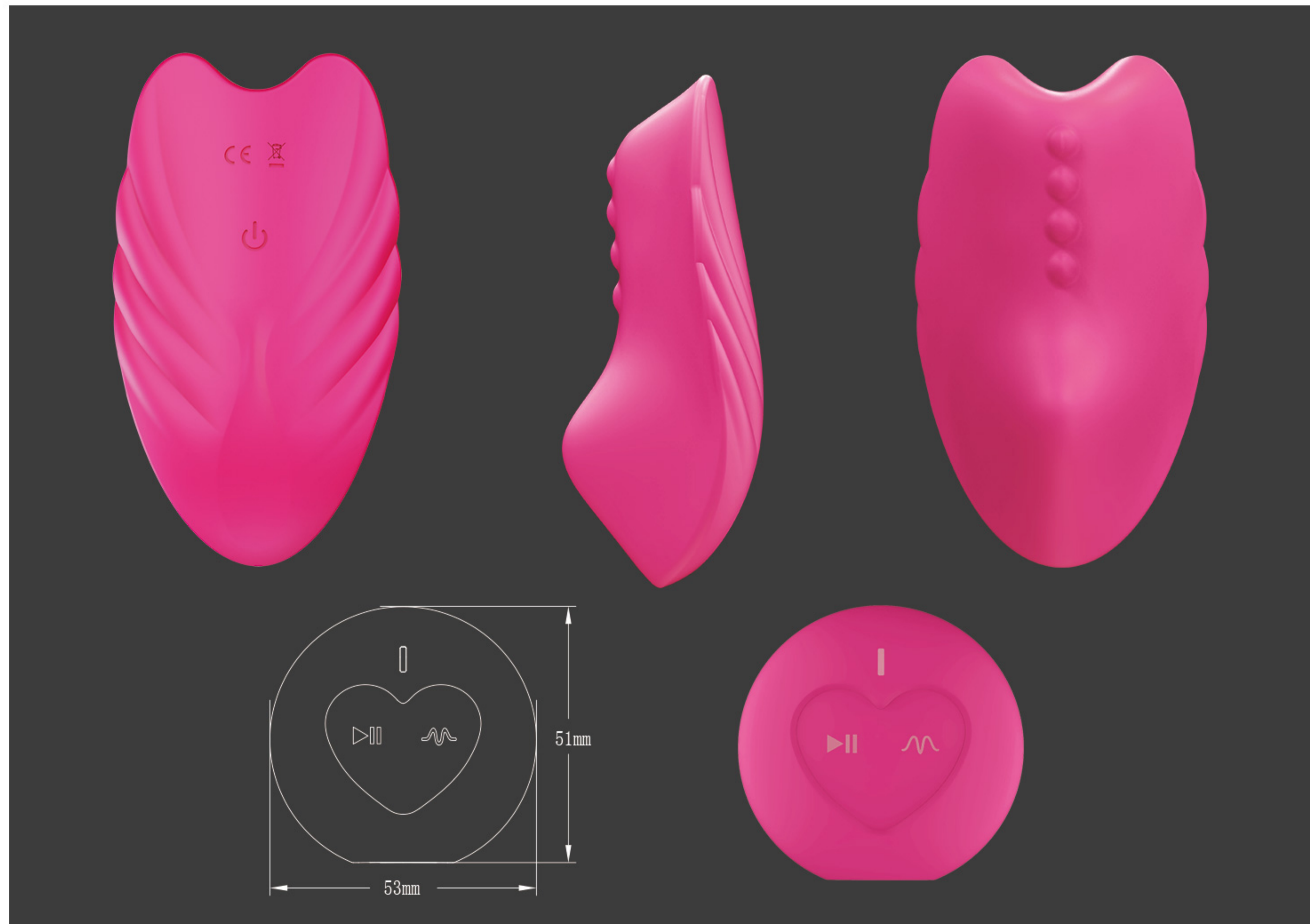
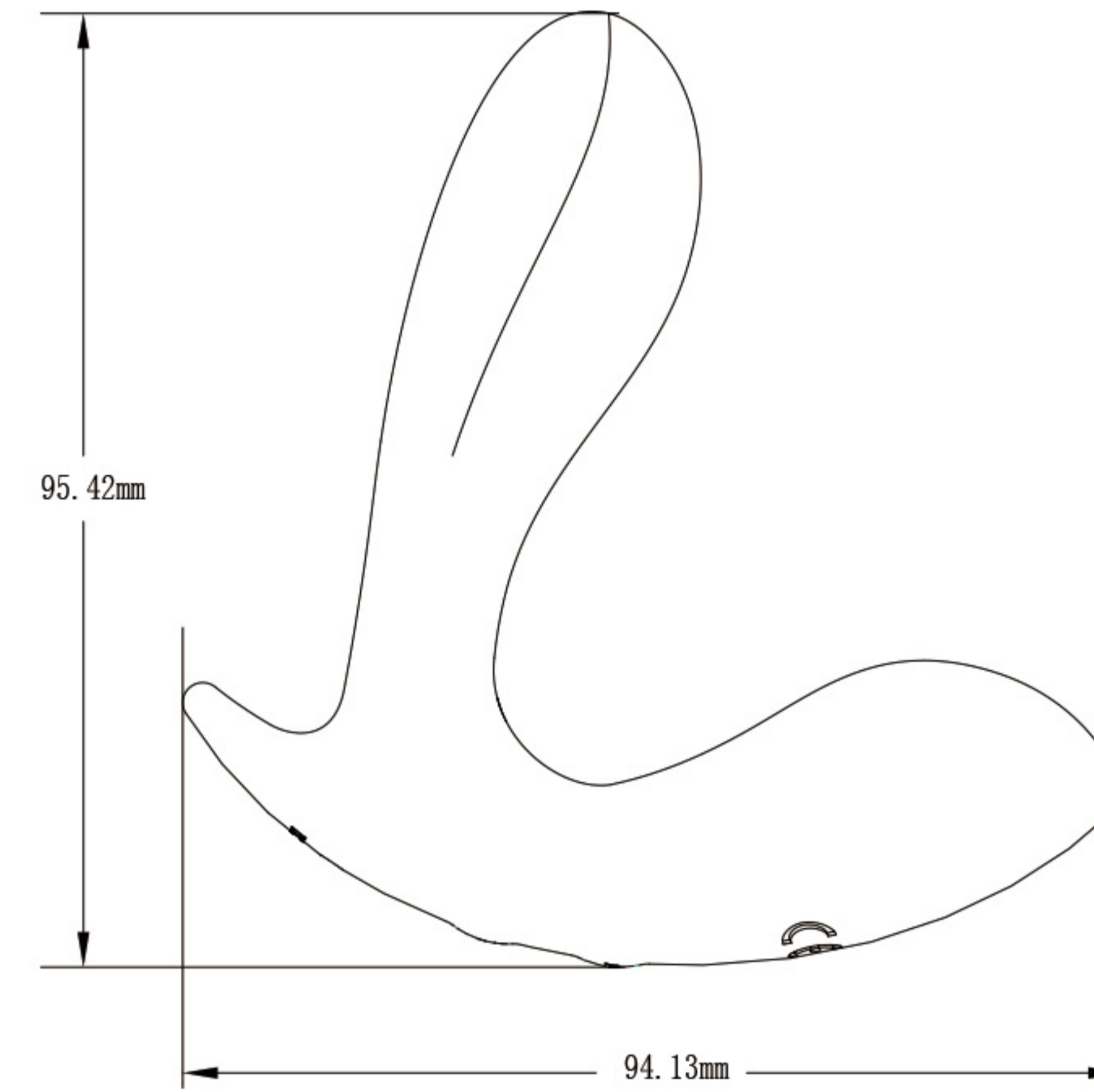
- Material: Silicone , ABS
- Vibration modes: 7 types
- Waterproof: IPX7
- Working noise: <60dB
- Remote control battery: 70mAh 3.7V lithium battery
- Massager battery: 145mAh 3.7V lithium battery
- Duration: >60minutes (under fully charged)



R0017 PORTER

Specification

- Material: Silicone , ABS
- Vibration mode: 7 types
- Heating patterns: 43±5°C
- Remote control battery: CR2032 3.0V * 1
- Massager battery: 380mAh 3.7V lithium battery
- Waterproof : IPX7
- Working noise: <60 dB
- Duration: > 60 minutes (under fully charged)



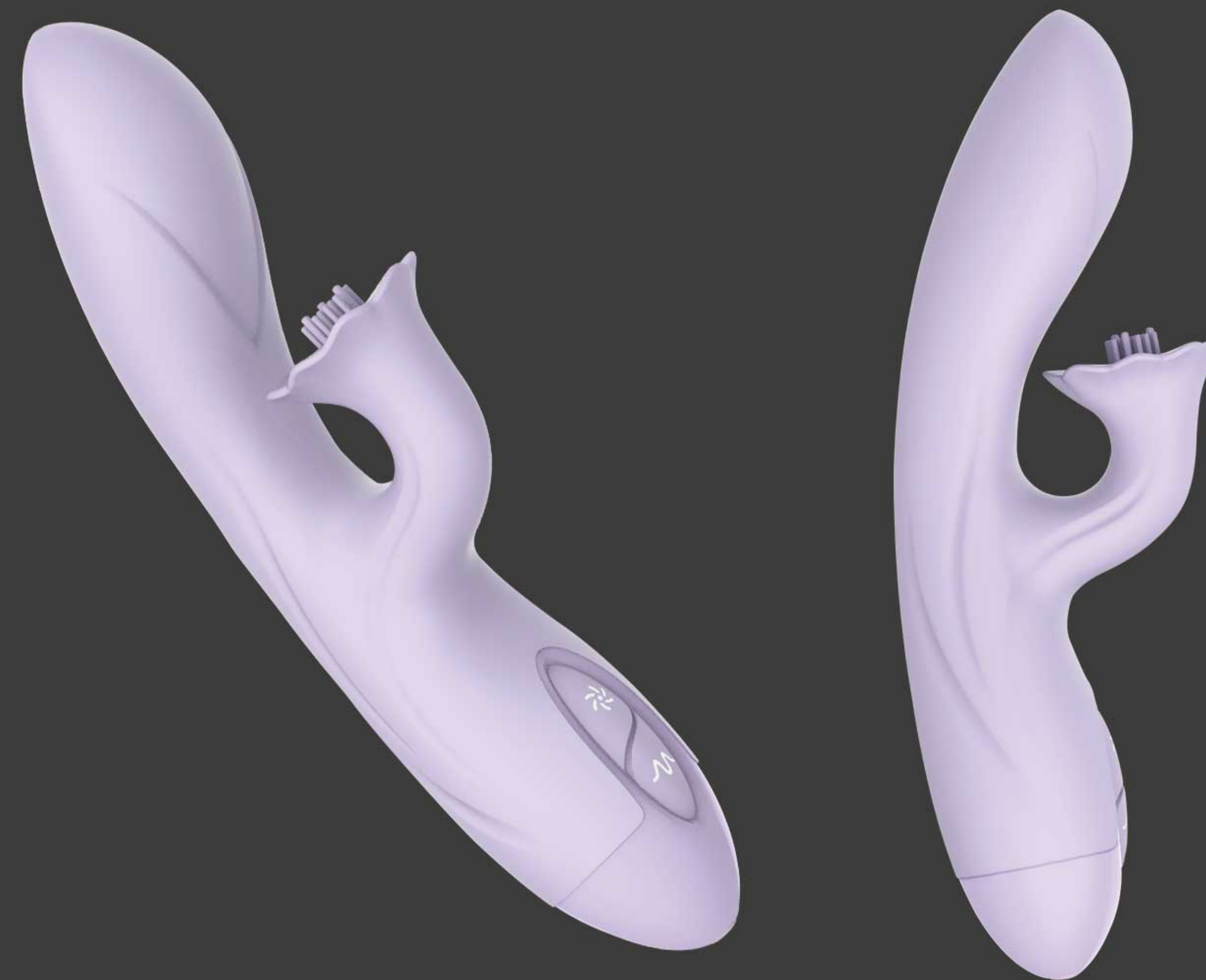
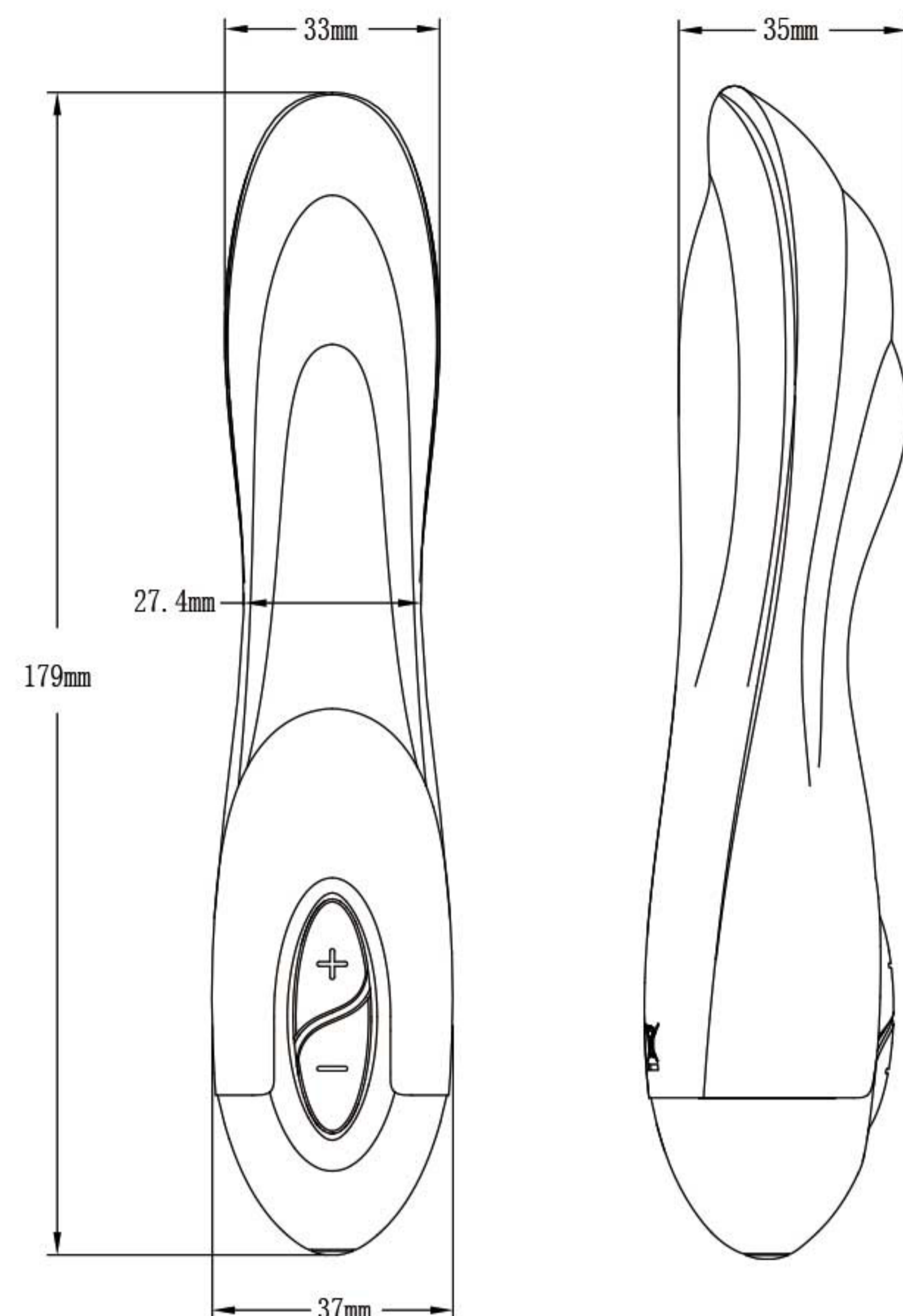
CUSTOMIZED COLOR IS AVAILABLE

CUSTOMIZED COLOR IS AVAILABLE

A0034 SPROUT

Specification

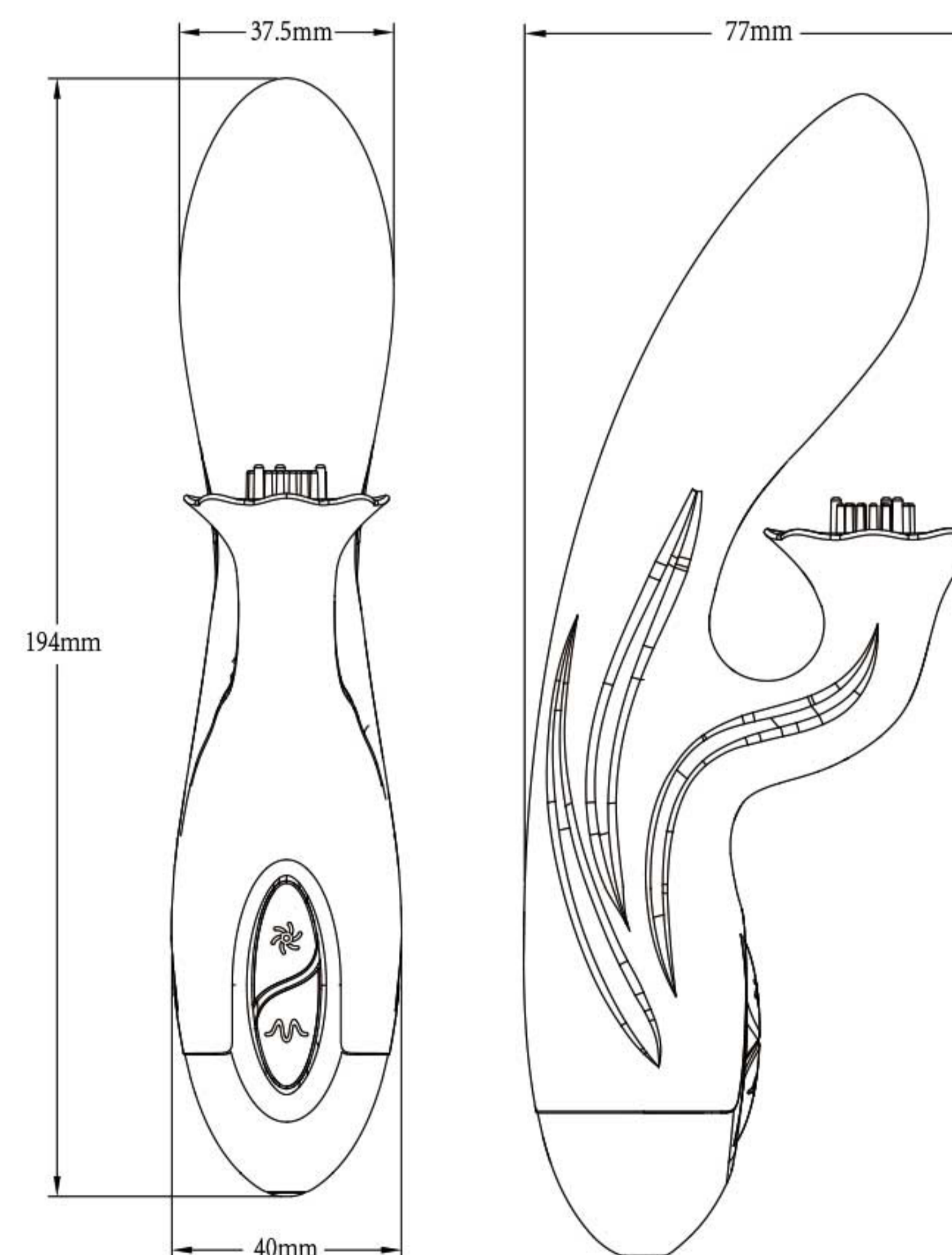
Material: Silicone , ABS
Vibration mode: 7 types
Working voltage: 3.7V
Power supply: 420mAh
Waterproof: IPX6
Working noise: <60dB
Duration: > 60 minutes(under fully charged)



B0004 GLORY

Specification

Material: Silicone , ABS
Vibration mode: 7 types
Rotating: 3 types
Working voltage: 3.7V
Battery capacity: 600mAh
Waterproof: IPX6
Working noise: <60 dB
Duration: > 60 minutes(under fully charged)



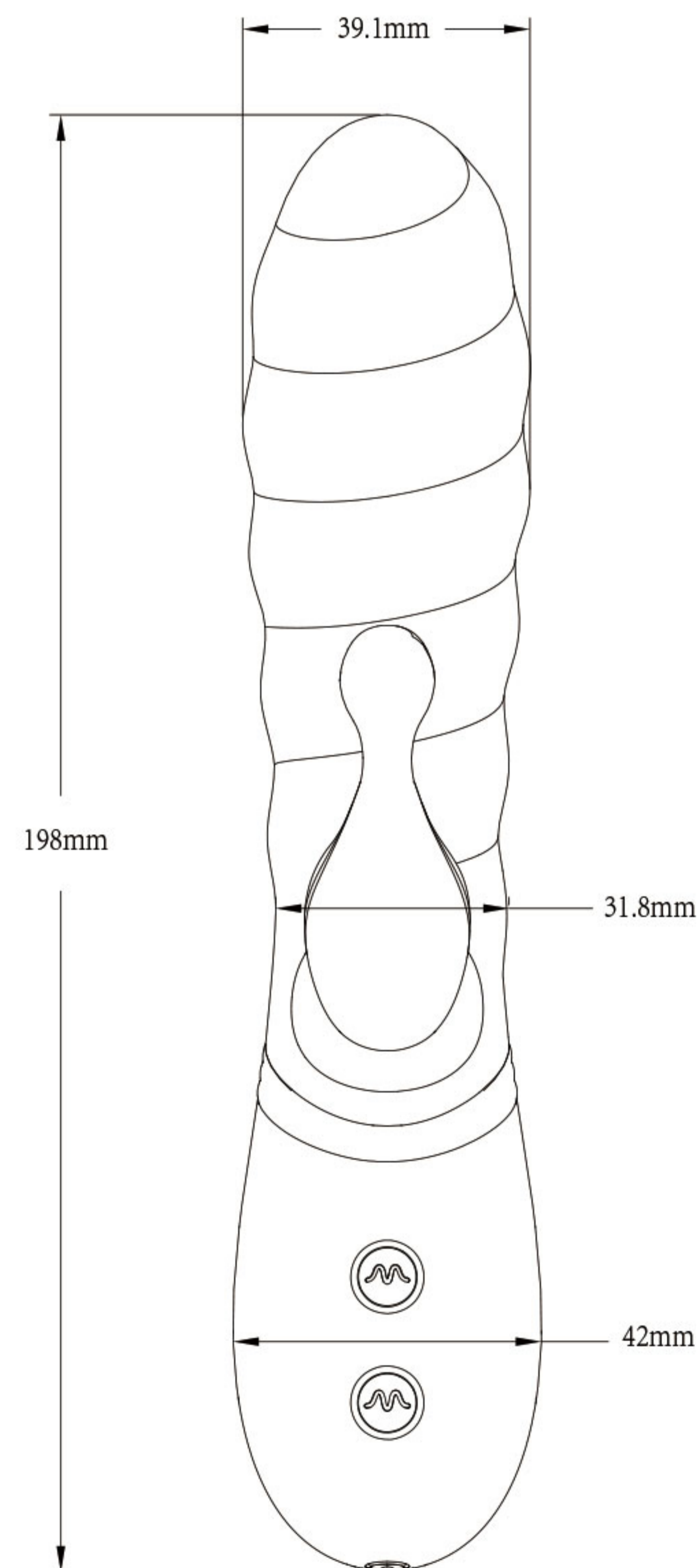
CUSTOMIZED COLOR IS AVAILABLE

CUSTOMIZED COLOR IS AVAILABLE

A0035 MELOW

Specification

Material: Silicone , ABS
Vibration mode: 7 types
Working voltage: 3.7V
Battery capacity: 1000mAh
Waterproof: IPX6
Working noise: <60 dB
Duration: > 60 minutes(under fully charged)

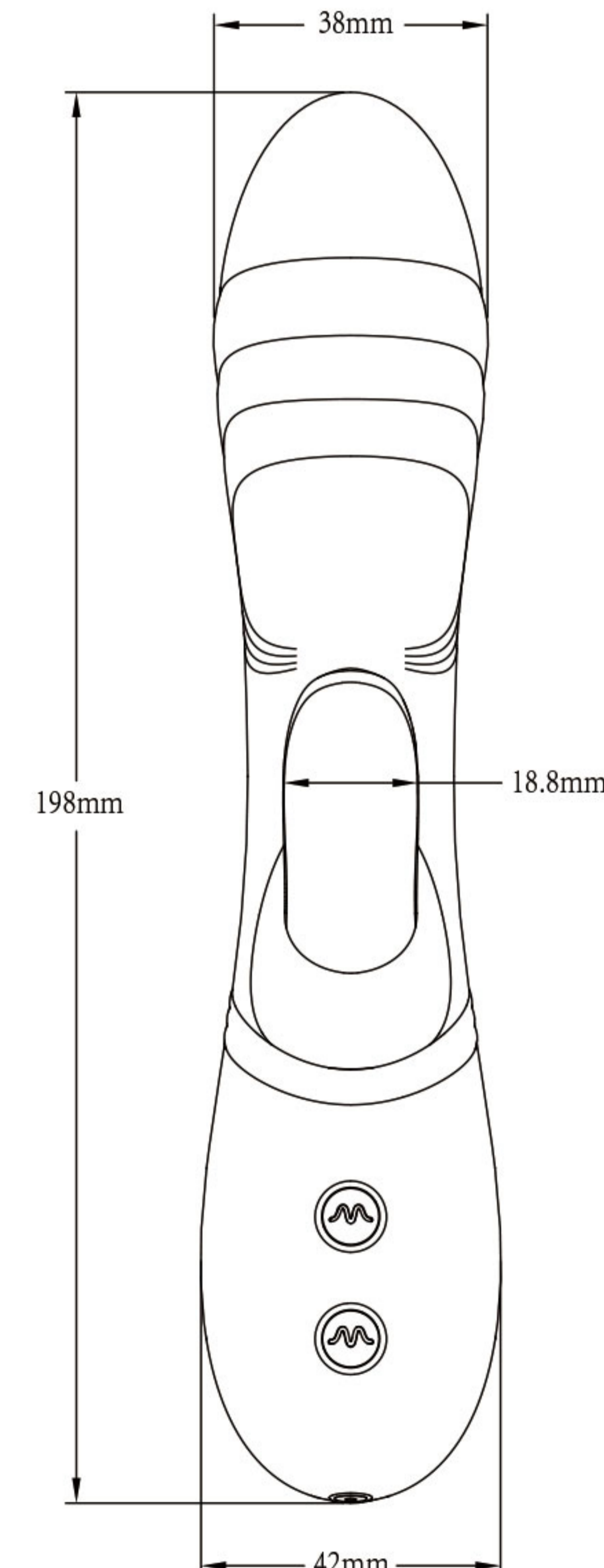


CUSTOMIZED COLOR IS AVAILABLE

A0036 MEHA

Specification

Material: Silicone , ABS
Vibration mode: 7 types
Working voltage: 3.7V
Battery capacity: 1000mAh
Waterproof: IPX6
Working noise: <60 dB
Duration: > 60 minutes(under fully charged)



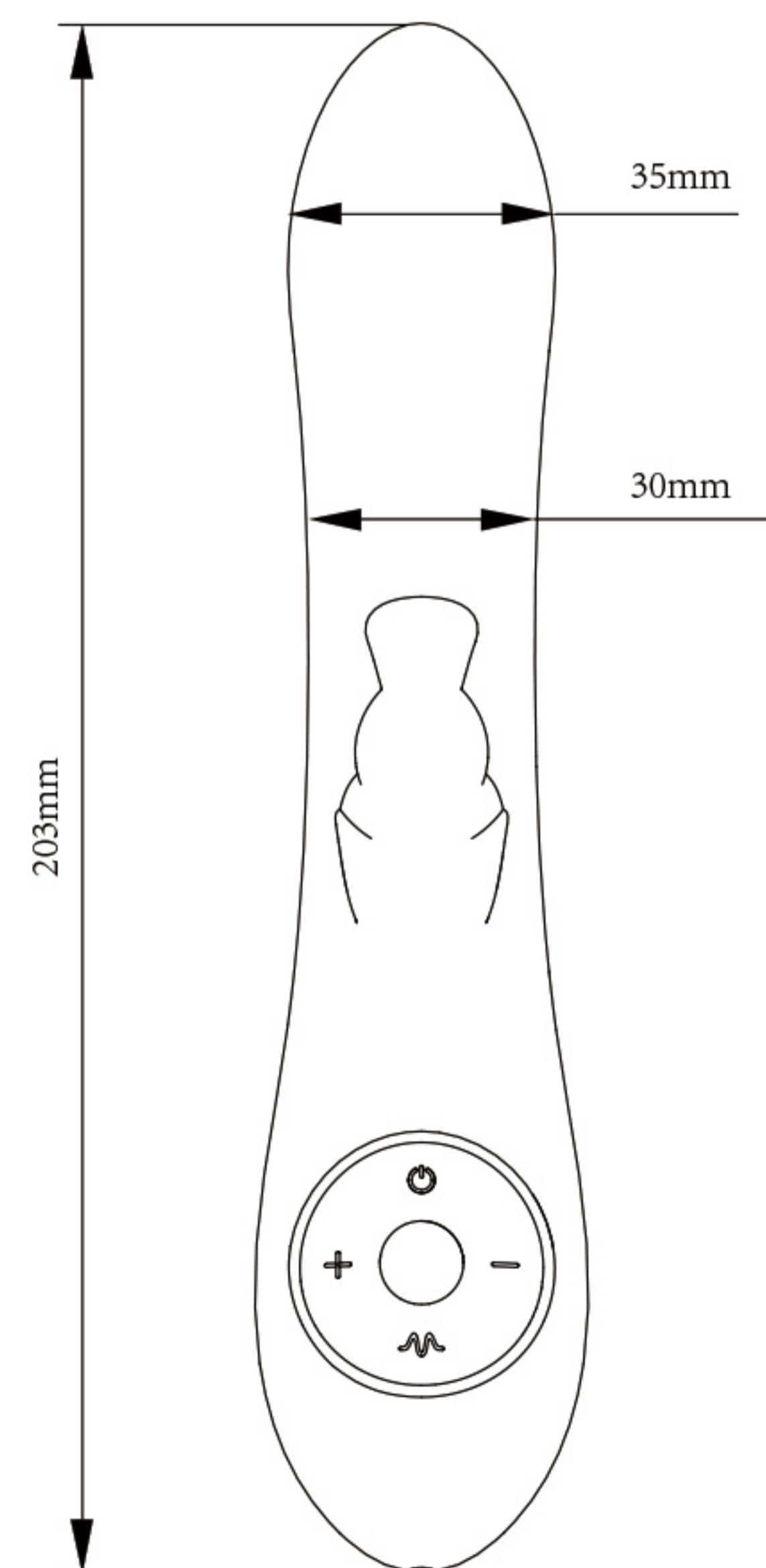
CUSTOMIZED COLOR IS AVAILABLE

Sucking

A0014 AIRBIRD

Specification

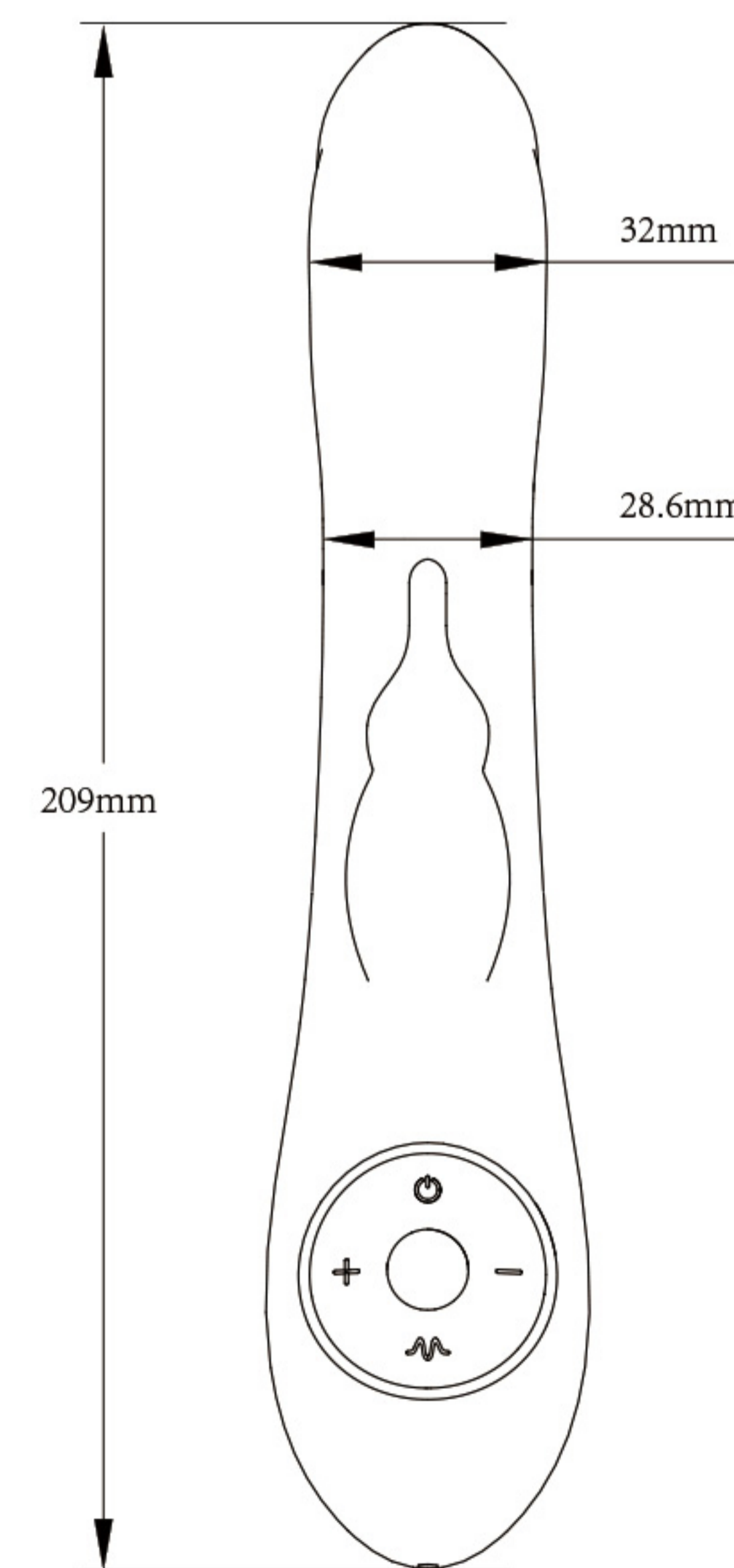
Material: Silicone , ABS
 Vibration mode: 6 types, 3 intensities
 Sucking modes: 3 types
 Working voltage: 3.7V
 Power supply: 850mAh
 Waterproof: IPX6
 Working noise: <60dB
 Duration: >60minutes (under fully charged)



B0001 WAVEBIRD

Specification

Material: Silicone , ABS
 Vibration mode: 6 types, 3 intensities
 Rotating intensities: 3 types
 Working voltage: 3.7V
 Power supply: 850mAh
 Waterproof: IPX6
 Working noise: <60dB
 Duration: >60minutes (under fully charged)



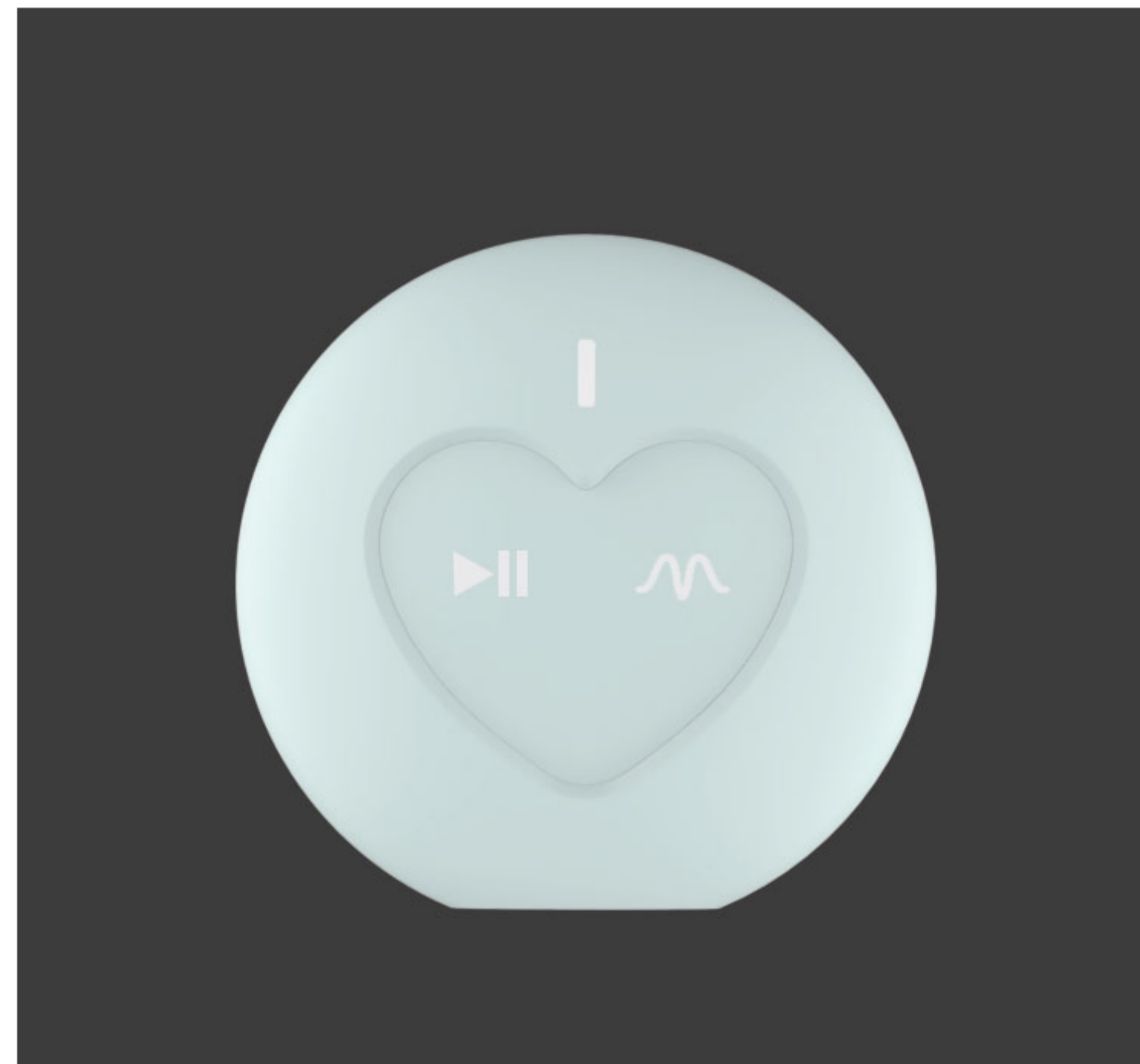
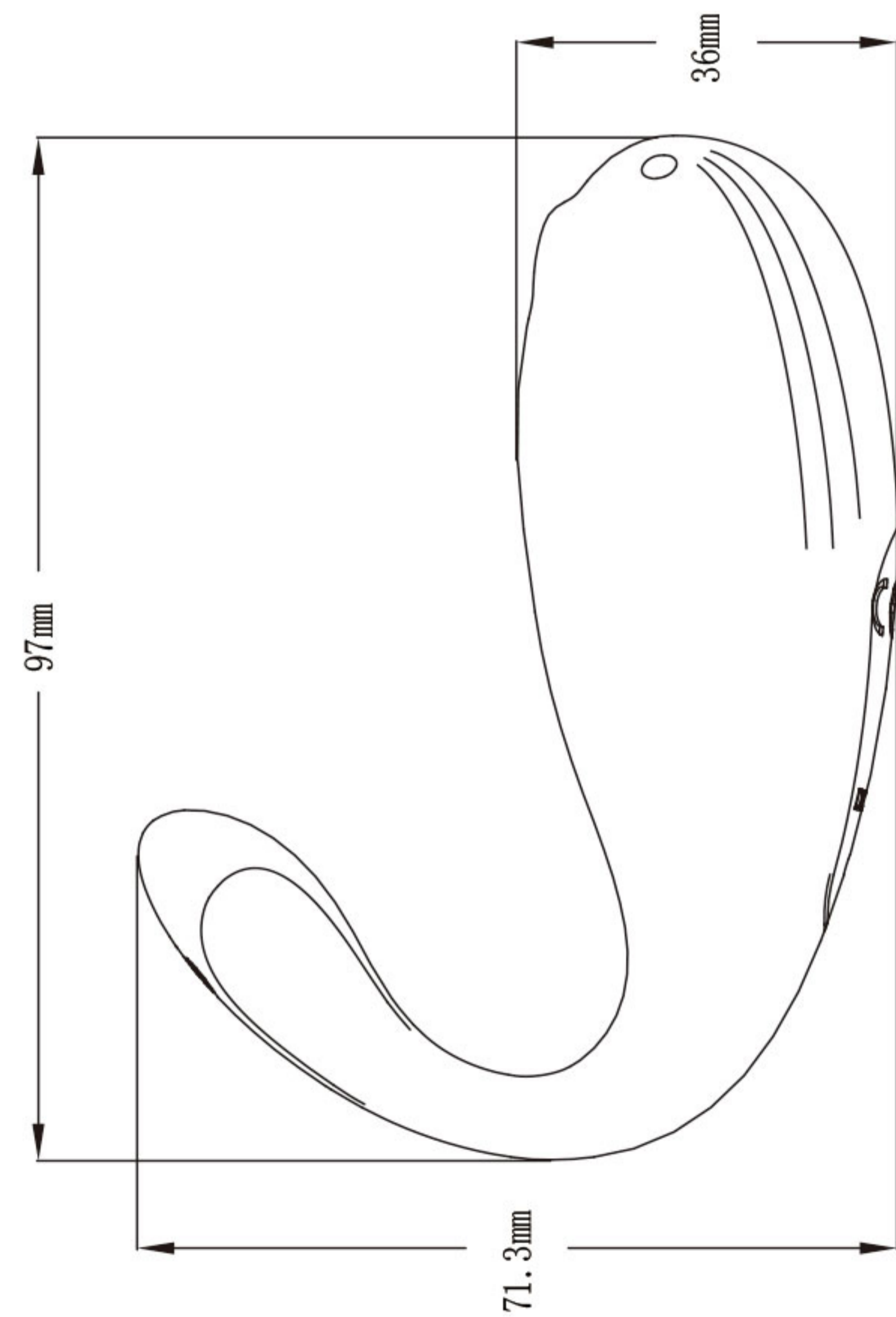
CUSTOMIZED COLOR IS AVAILABLE

CUSTOMIZED COLOR IS AVAILABLE

R0011 DOFFY

Specification

Material: Silicone , ABS
Vibration mode: 7 types
Waterproof: IPX6
Working noise: <60dB
Remote control battery: 70mAh 3.7V lithium battery
Kegel ball battery: 380mAh 3.7V lithium battery
Duration: >60minutes (under fully charged)

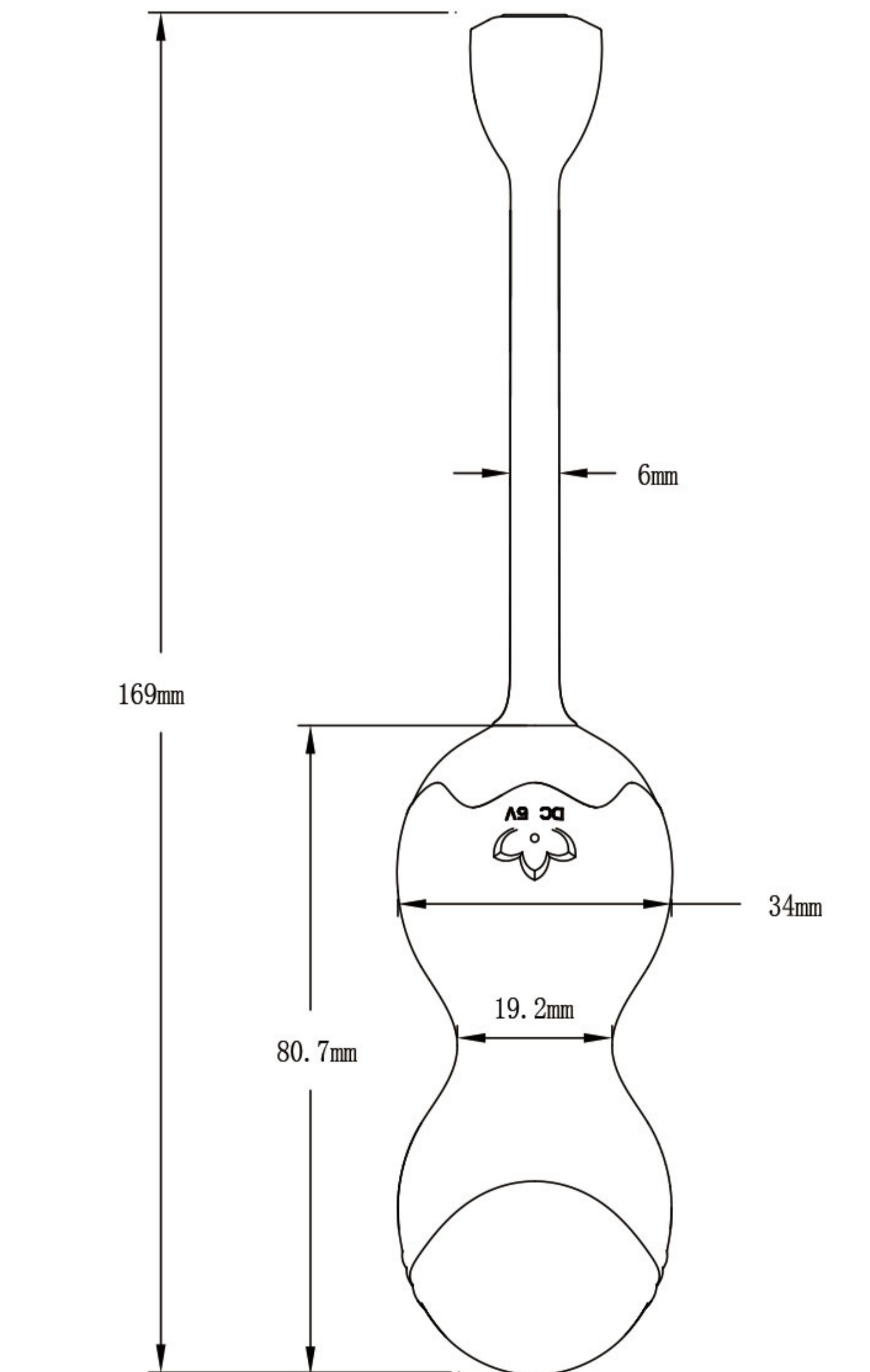
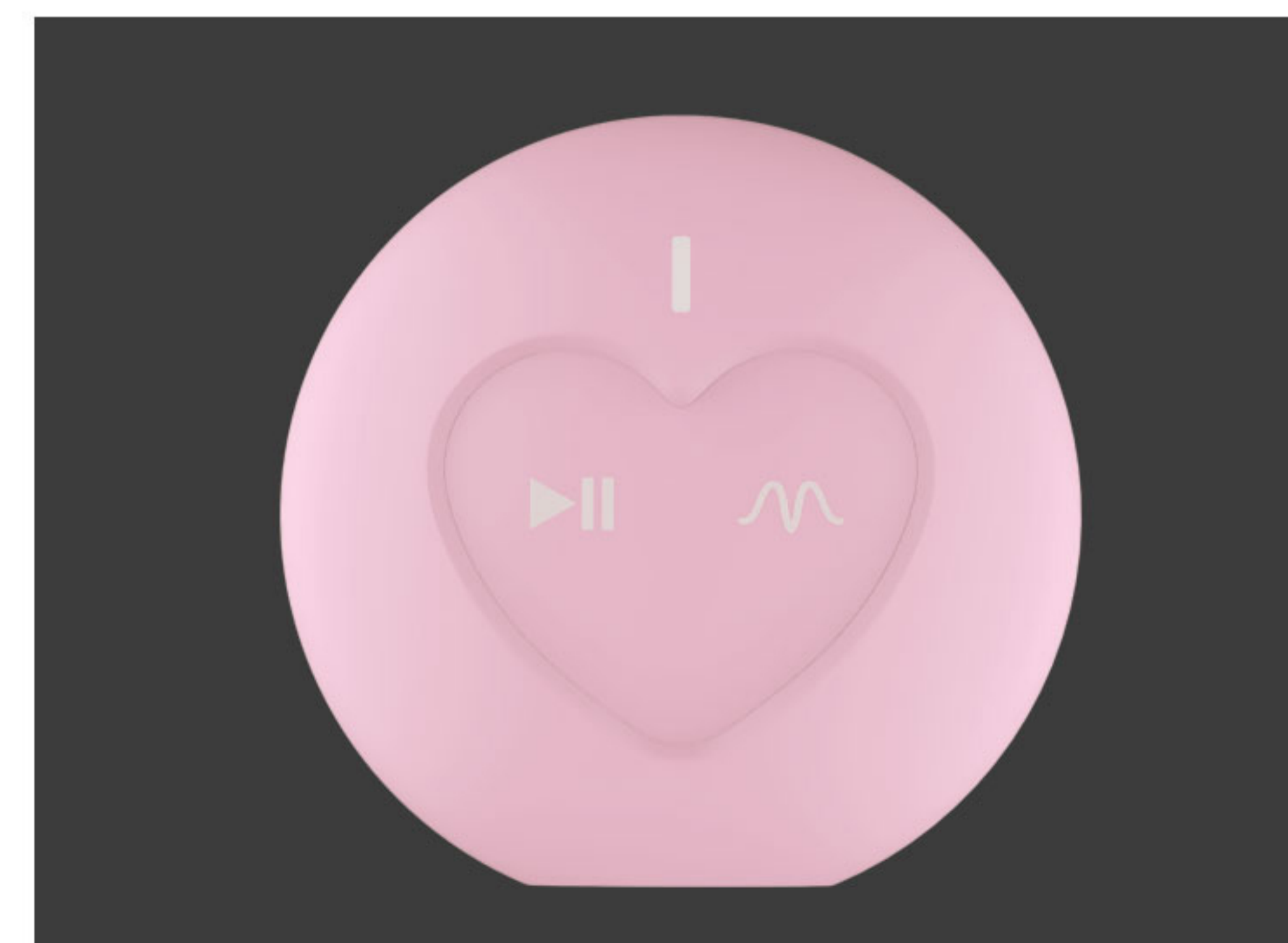


CUSTOMIZED COLOR IS AVAILABLE

R0012 LOLLY

Specification

Material: Silicone , ABS
Vibration mode: 7 types
Waterproof: IPX6
Working noise: <50dB
Remote control battery: 70mAh 3.7V lithium battery
Kegel ball battery: 145mAh 3.7V lithium battery
Duration: >60minutes (under fully charged)

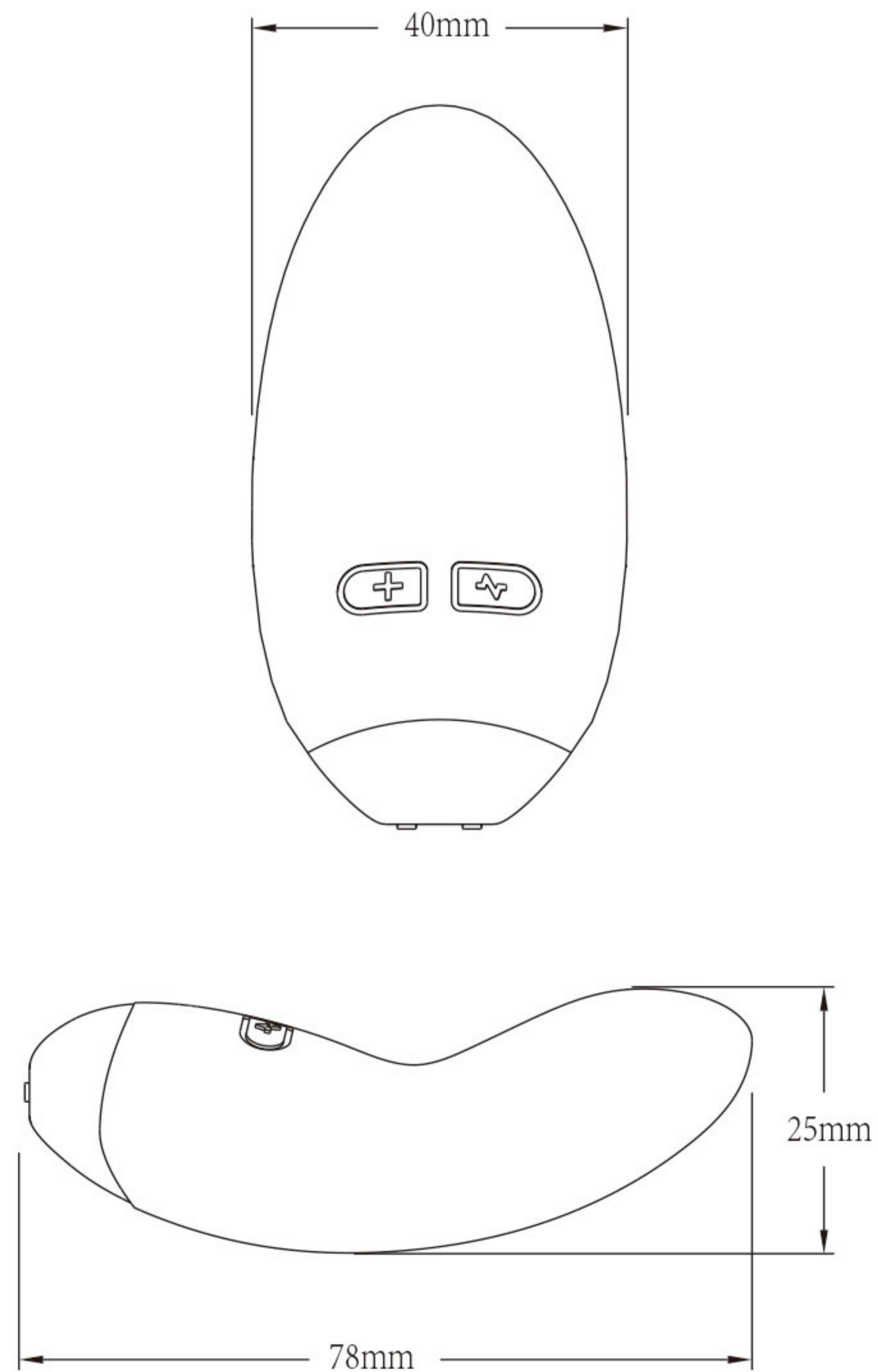


CUSTOMIZED COLOR IS AVAILABLE

A0017 ELLA

Specification

- Material: Silicone , ABS
- Vibrating mode: 6 types , 3 intensities
- Working voltage: 3.7V
- Battery capacity: 300mAh
- Waterproof: IPX6
- Working noise: <60dB
- Duration: >90minutes (under fully charged)

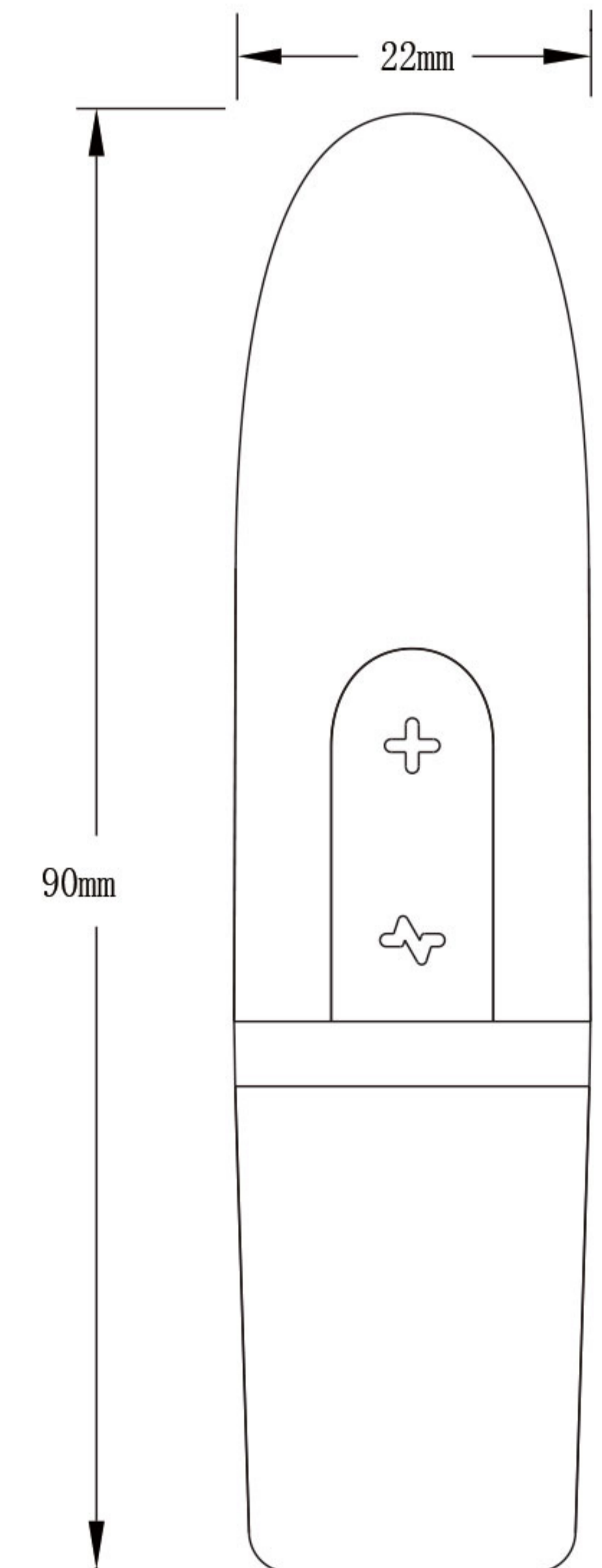


CUSTOMIZED COLOR IS AVAILABLE

A0018 SECRET

Specification

- Material: Silicone , ABS
- Vibration mode: 6 types , 3 intensities
- Working voltage: 3.7V
- Battery capacity: 145mAh
- Waterproof: IPX6
- Working noise: <60dB
- Duration: >60minutes (under fully charged)

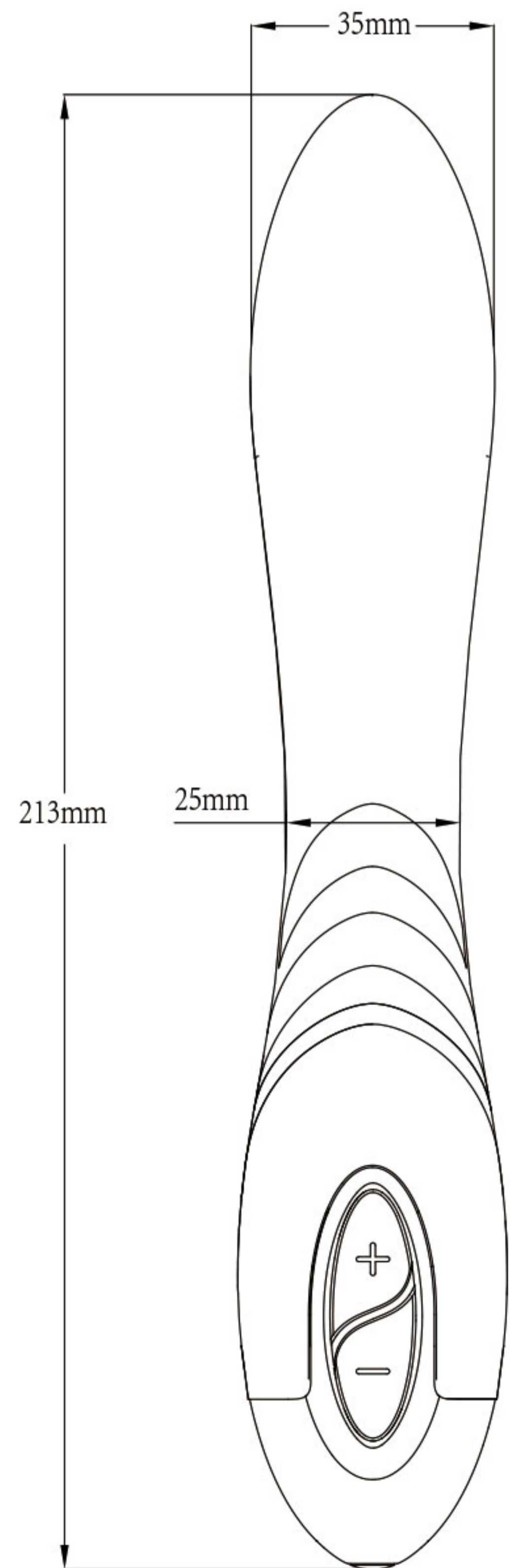


CUSTOMIZED COLOR IS AVAILABLE

A0010 DAFNI

Specification

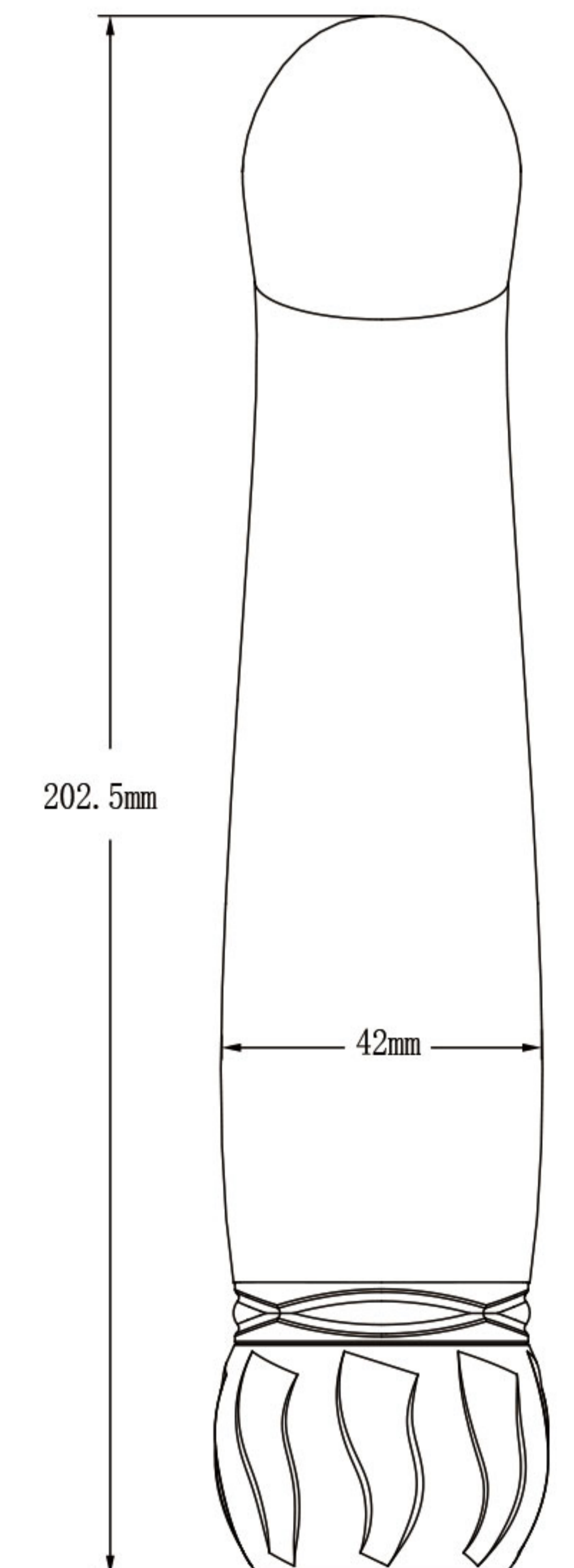
Material: Silicone , ABS
Vibration mode: 7 types
Working voltage: 3.7V
Power supply: 420mAh
Waterproof: IPX6
Working noise: <60dB
Duration: >60minutes (under fully charged)



A0037 IVY

Specification

Material: Silicone , ABS
Vibration mode: 7 types
Heating patterns: 45±5°C
Working voltage: 3.7V
Battery capacity: 600mAh
Waterproof: IPX6
Working noise: <60 dB
Duration: > 60 minutes(under fully charged)



CUSTOMIZED COLOR IS AVAILABLE

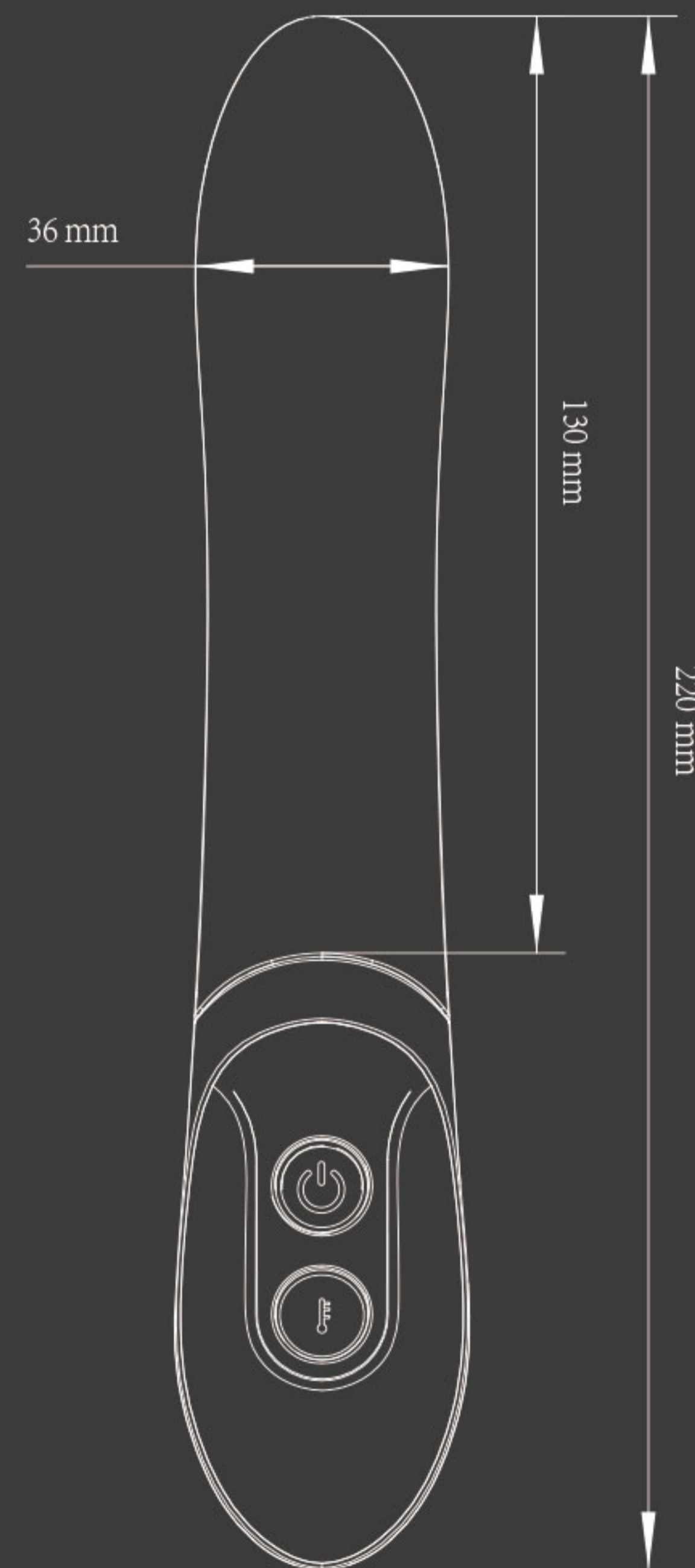
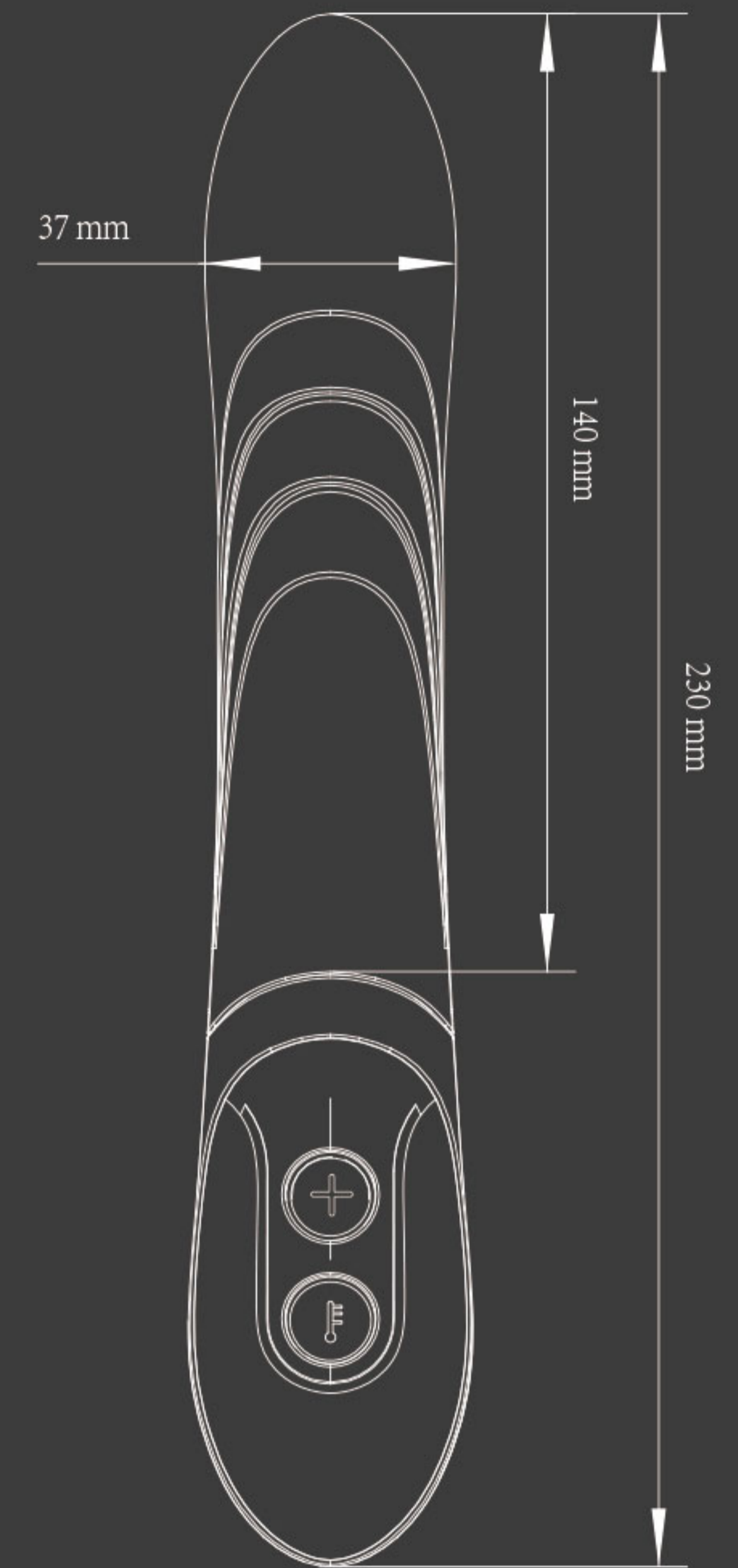
CUSTOMIZED COLOR IS AVAILABLE



A0002 SWELL

Specification

- Material: Silicone , ABS
- Vibration mode: 7 types
- Working voltage: 3.7V
- Battery capacity: 400mAh
- Waterproof: IPX6
- Working noise: <60 dB
- Duration: > 60 minutes (under fully charged)



A0001 LOVER

Specification

- Material: Silicone , ABS
- Vibration mode: 7 types
- Heating patterns: 35±5°C / 45±5°C
- Working voltage: 3.7V
- Battery capacity: 1400mAh
- Waterproof: IPX6
- Working noise: <60 dB
- Duration: > 60 minutes (under fully charged)

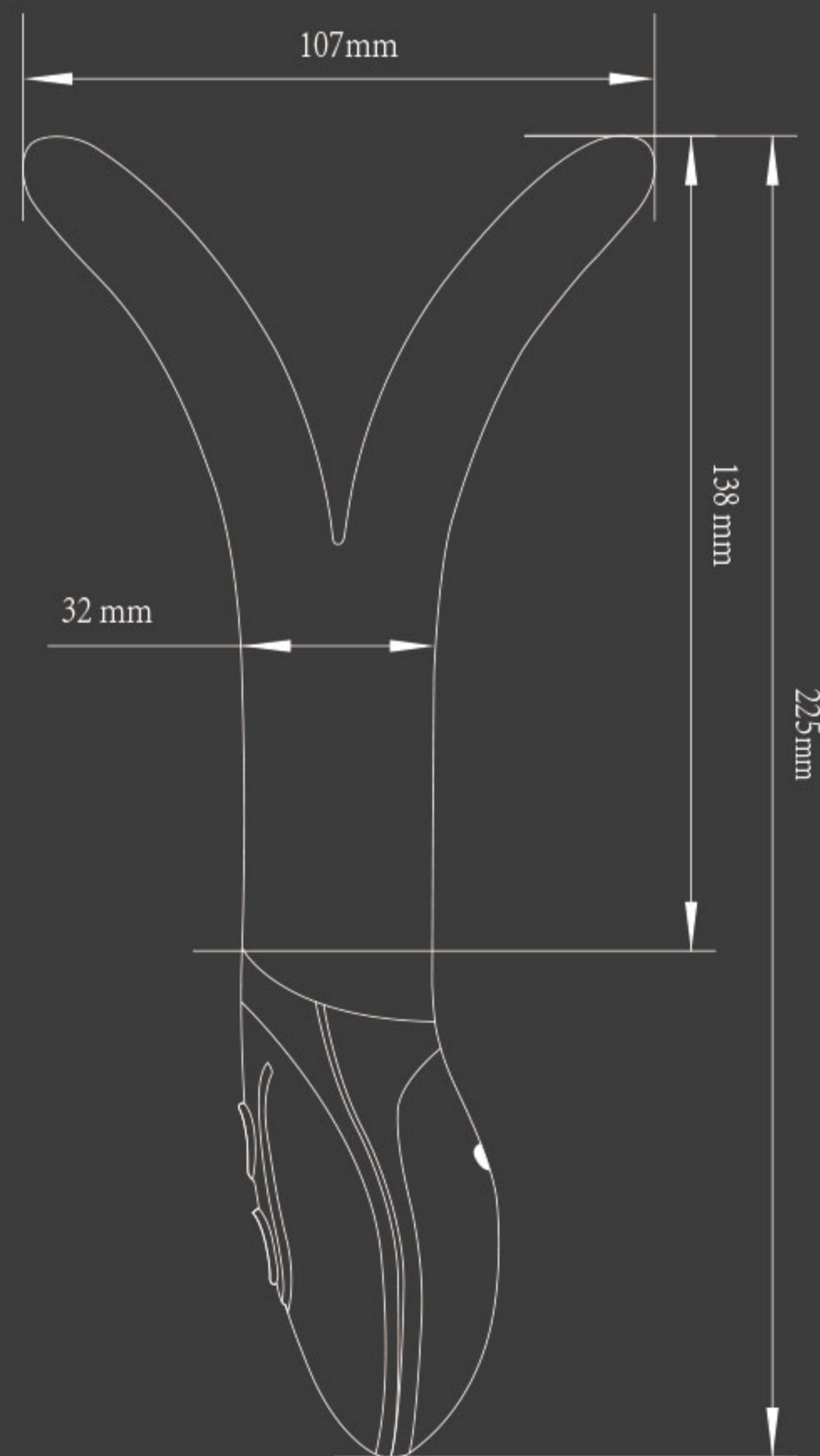
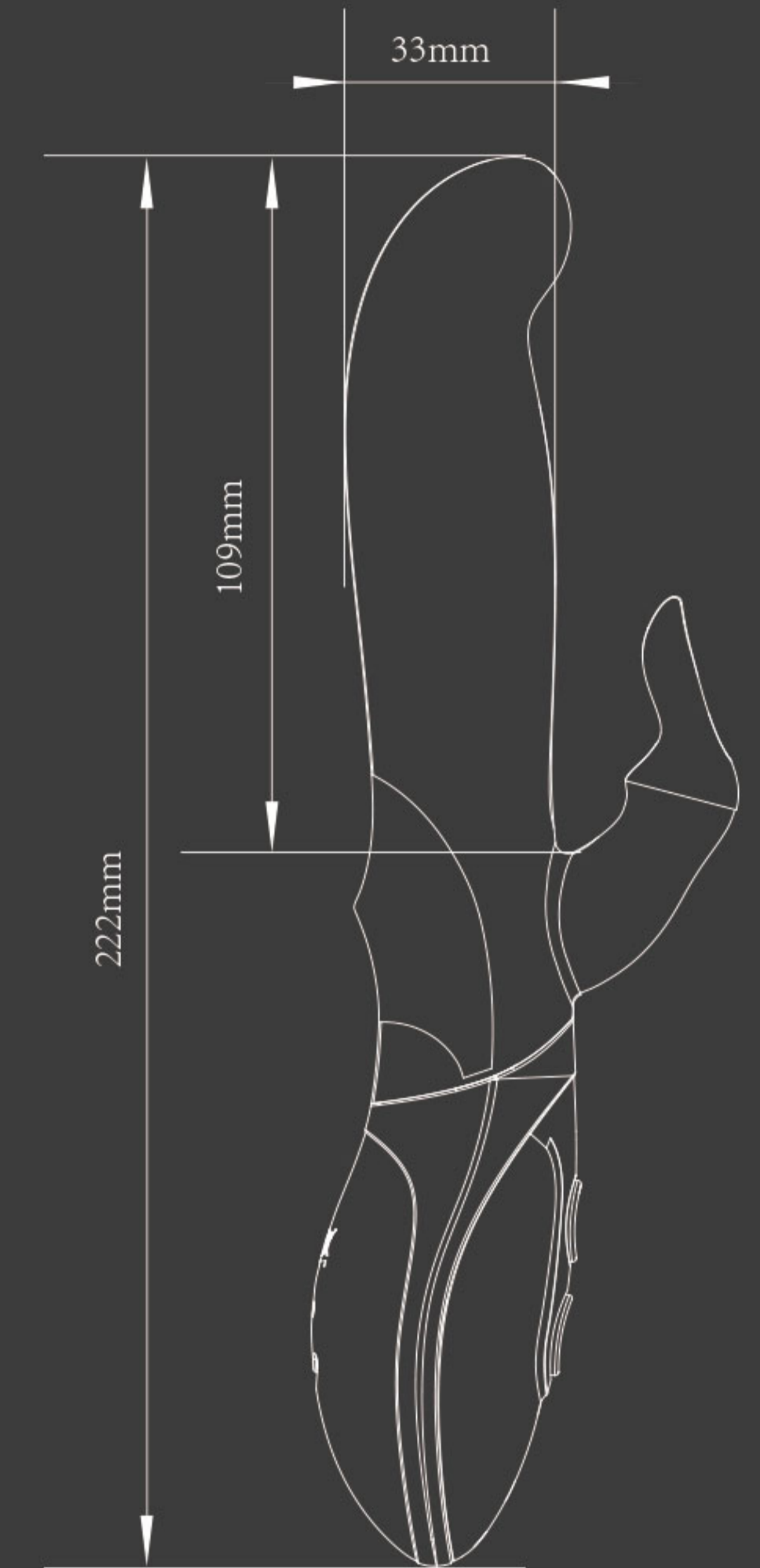




A0004 CHIRR

Specification

Material: Silicone , ABS
 Vibration mode: 7 types
 Heating patterns: 35±5°C / 45±5°C
 Working voltage: 3.7V
 Battery capacity: 1400mAh
 Waterproof: IPX6
 Working noise: <60 dB
 Duration: > 60 minutes(under fully charged)



A0003 ALIEN

Specification

Material: Silicone , ABS
 Vibration mode: 9 types
 Working voltage: 3.7V
 Battery capacity: 300mAh
 Waterproof: IPX6
 Working noise: <60 dB
 Duration: > 60 minutes(under fully charged)

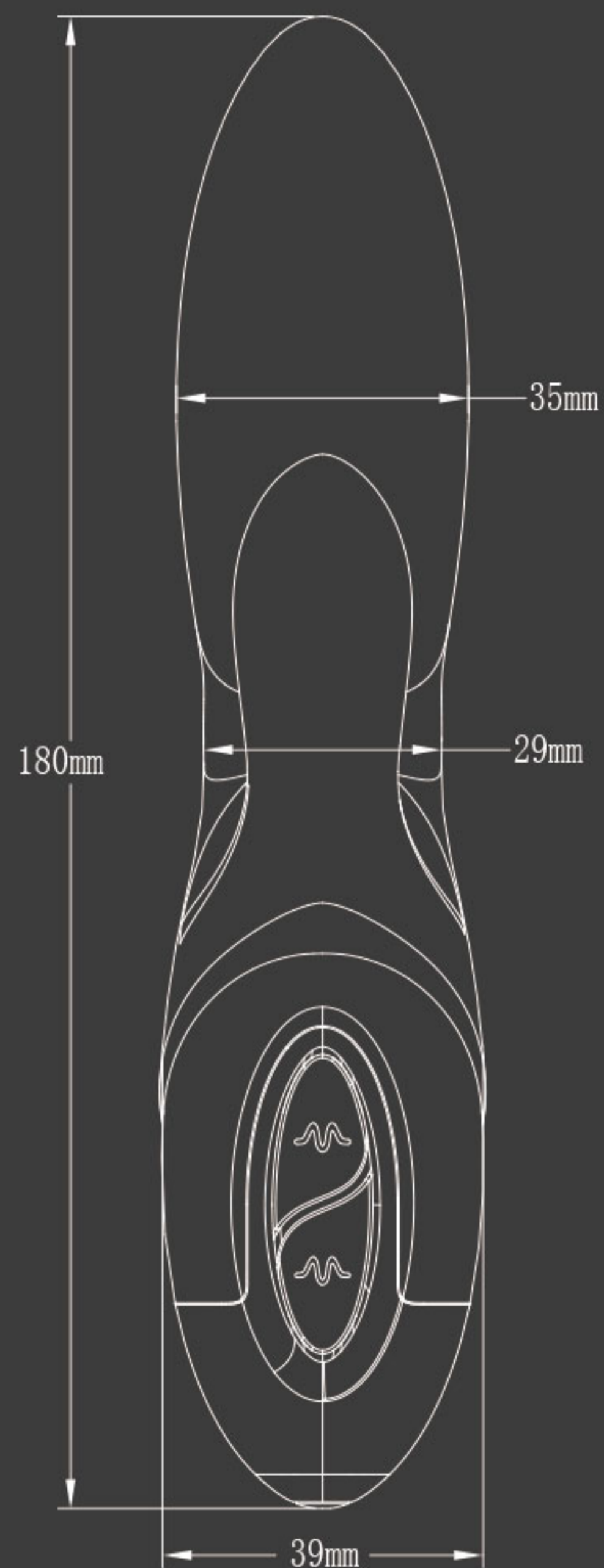
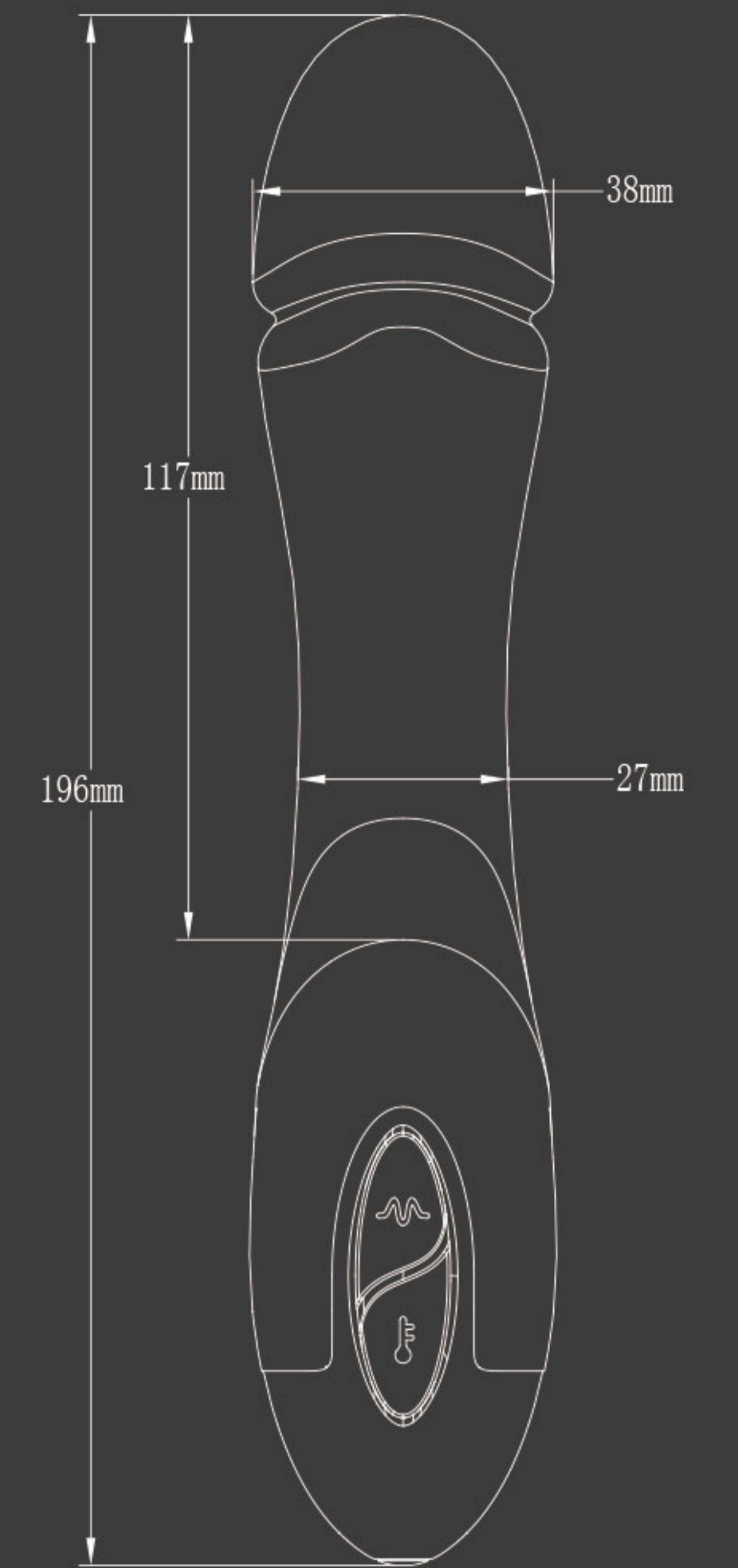




A0013 ROSE

Specification

Material: Silicone , ABS
 Vibration mode: 7 types
 Heating patterns: 35±5°C / 45±5°C
 Working voltage: 3.7V
 Battery capacity: 900mAh
 Waterproof: IPX6
 Working noise: <60 dB
 Duration: > 60 minutes (under fully charged)



A0012 NATASA

Specification

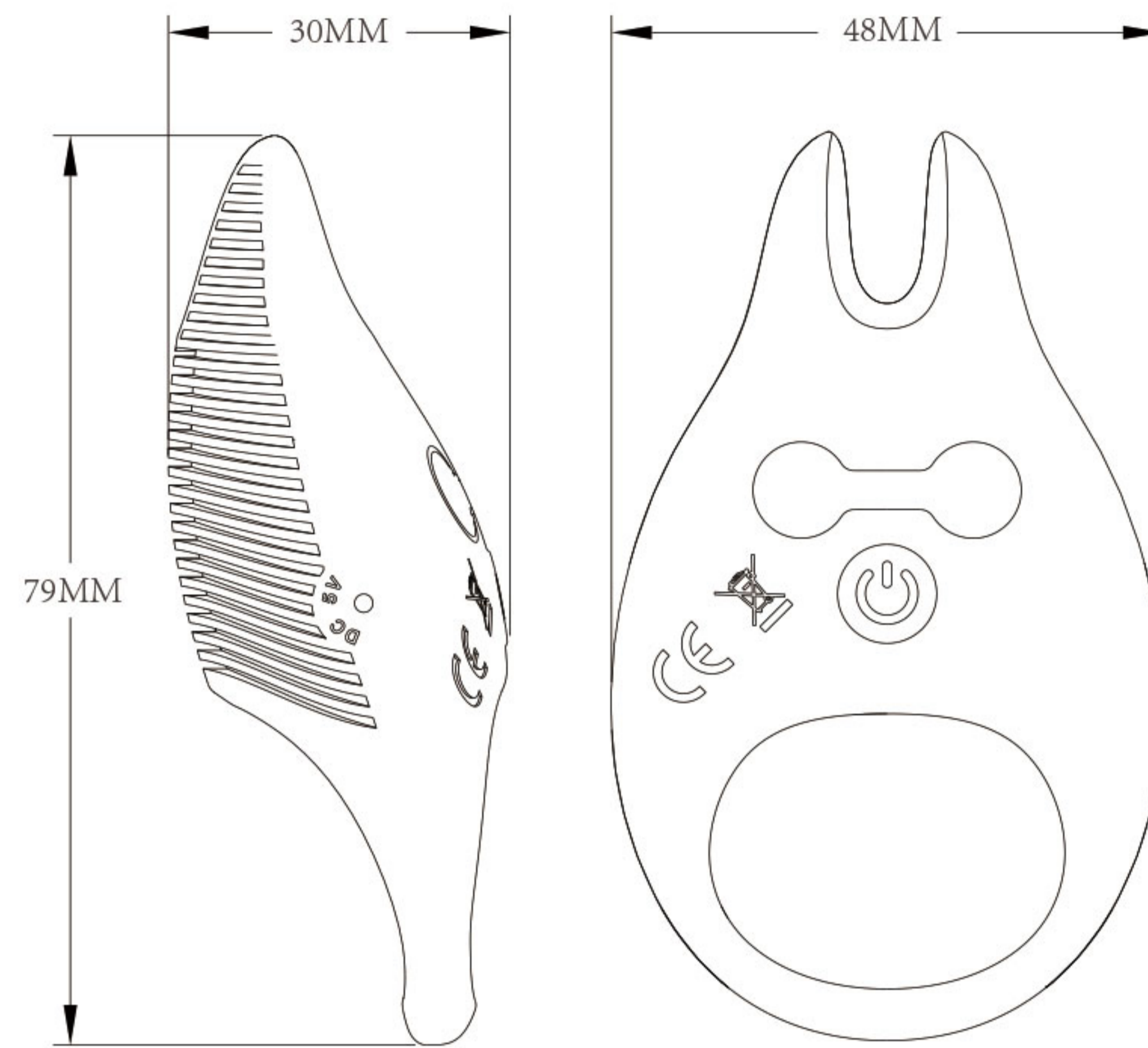
Material: Silicone , ABS
 Vibration mode: 7 types
 Working voltage: 3.7V
 Power supply: 400mAh
 Waterproof: IPX6
 Working noise: <60dB
 Duration: >60minutes (under fully charged)



A0022 DEVIL

Specification

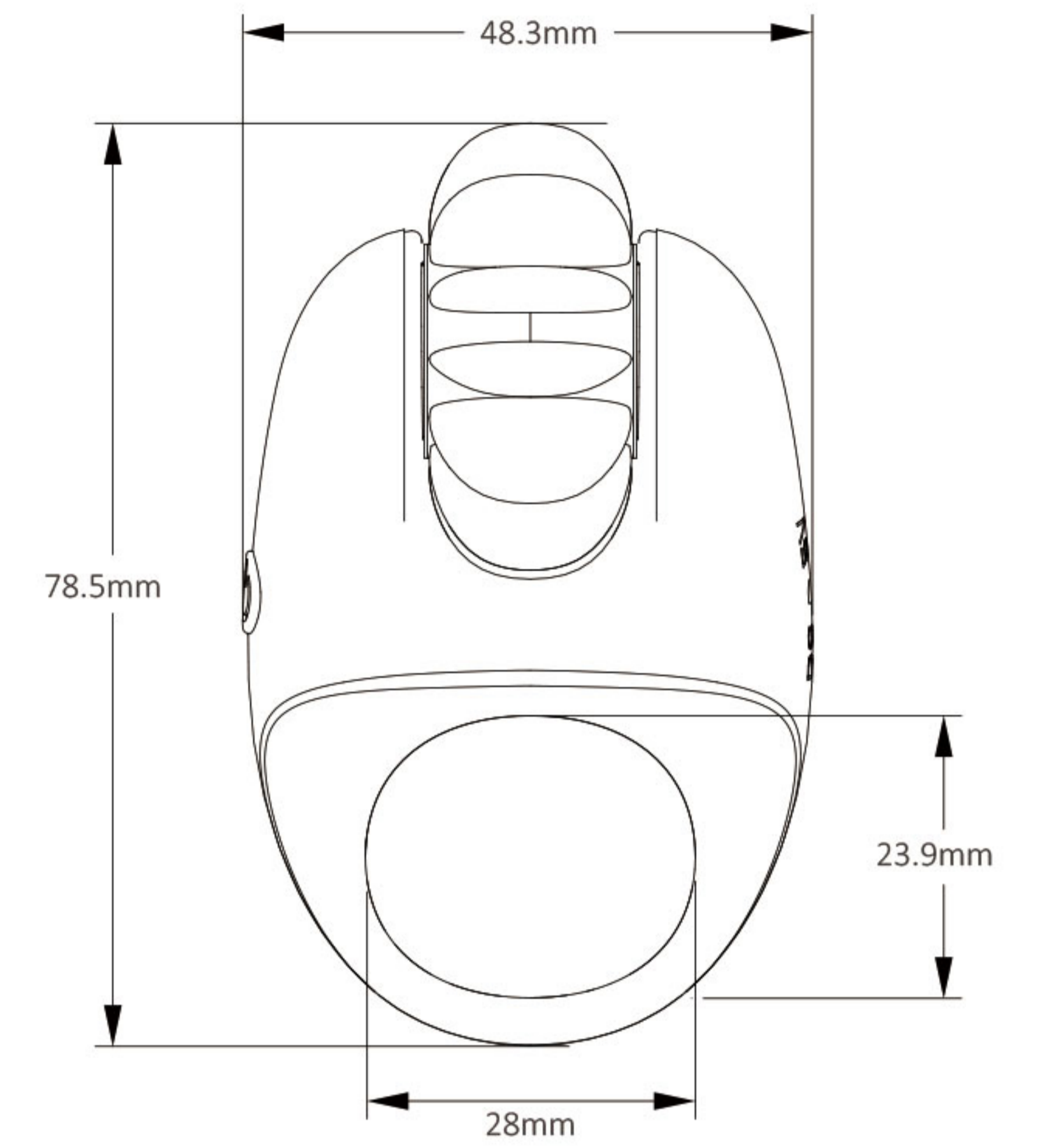
- Material: Silicone , ABS
- Vibration mode: 7 types
- Working voltage: 3.7V
- Battery capacity: 145mAh
- Waterproof : IPX6
- Working noise: <60 dB
- Duration: > 60 minutes (under fully charged)



B0002 12KISS

Specification

- Material: Silicone , ABS
- Rotating modes: 3 modes + 2 speeds
- Working voltage: 3.7V
- Battery capacity: 145mAh
- Waterproof : IPX6
- Working noise: <60 dB
- Duration: > 60 minutes (under fully charged)



CUSTOMIZED COLOR IS AVAILABLE

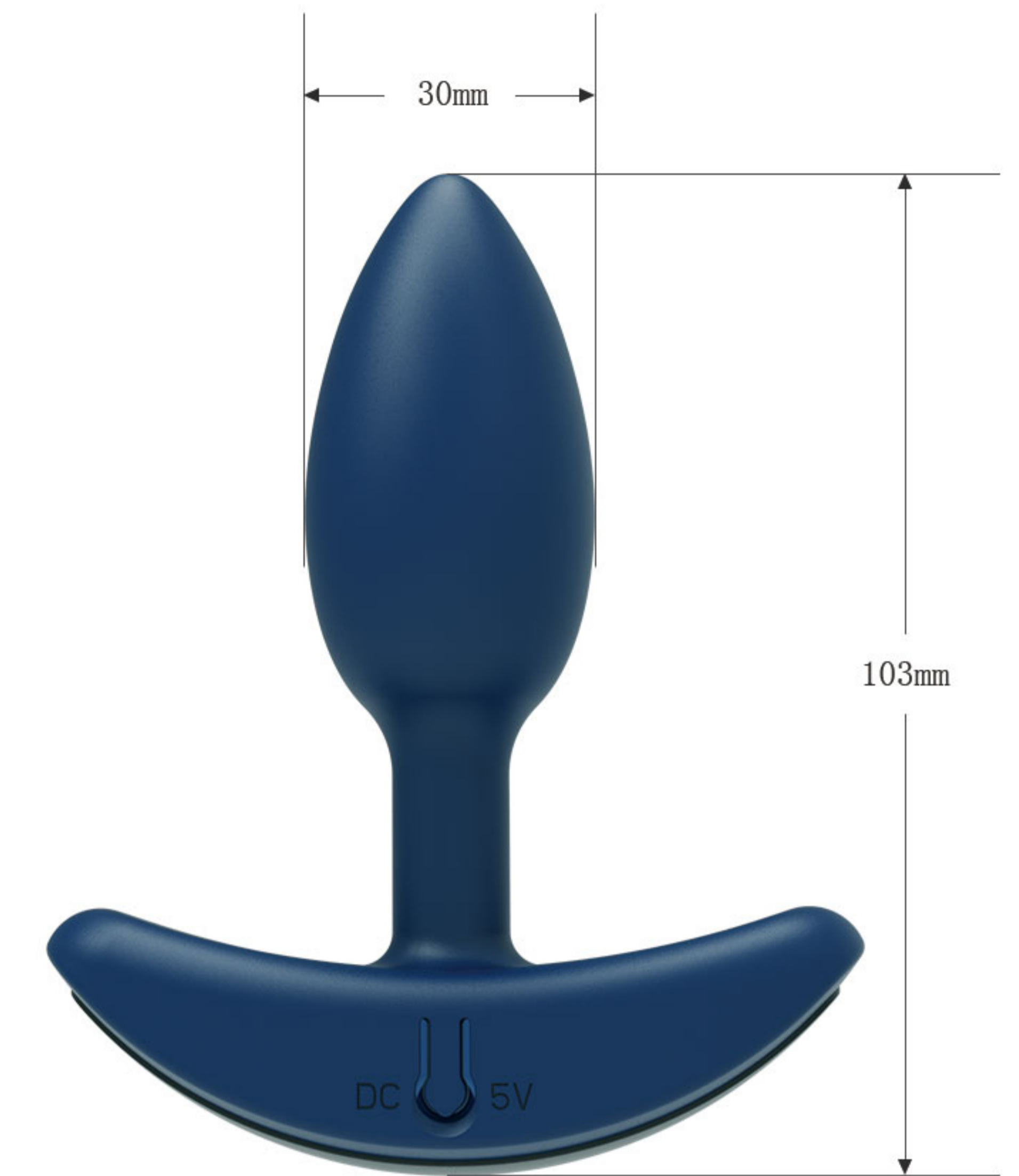
CUSTOMIZED COLOR IS AVAILABLE



A0023 ANCHOR

Specification

Material: Silicone , ABS
Vibration mode: 7 types
Working voltage: 3.7V
Battery capacity: 300mAh
Waterproof : IPX6
Working noise: <60 dB
Duration: > 70 minutes (under fully charged)

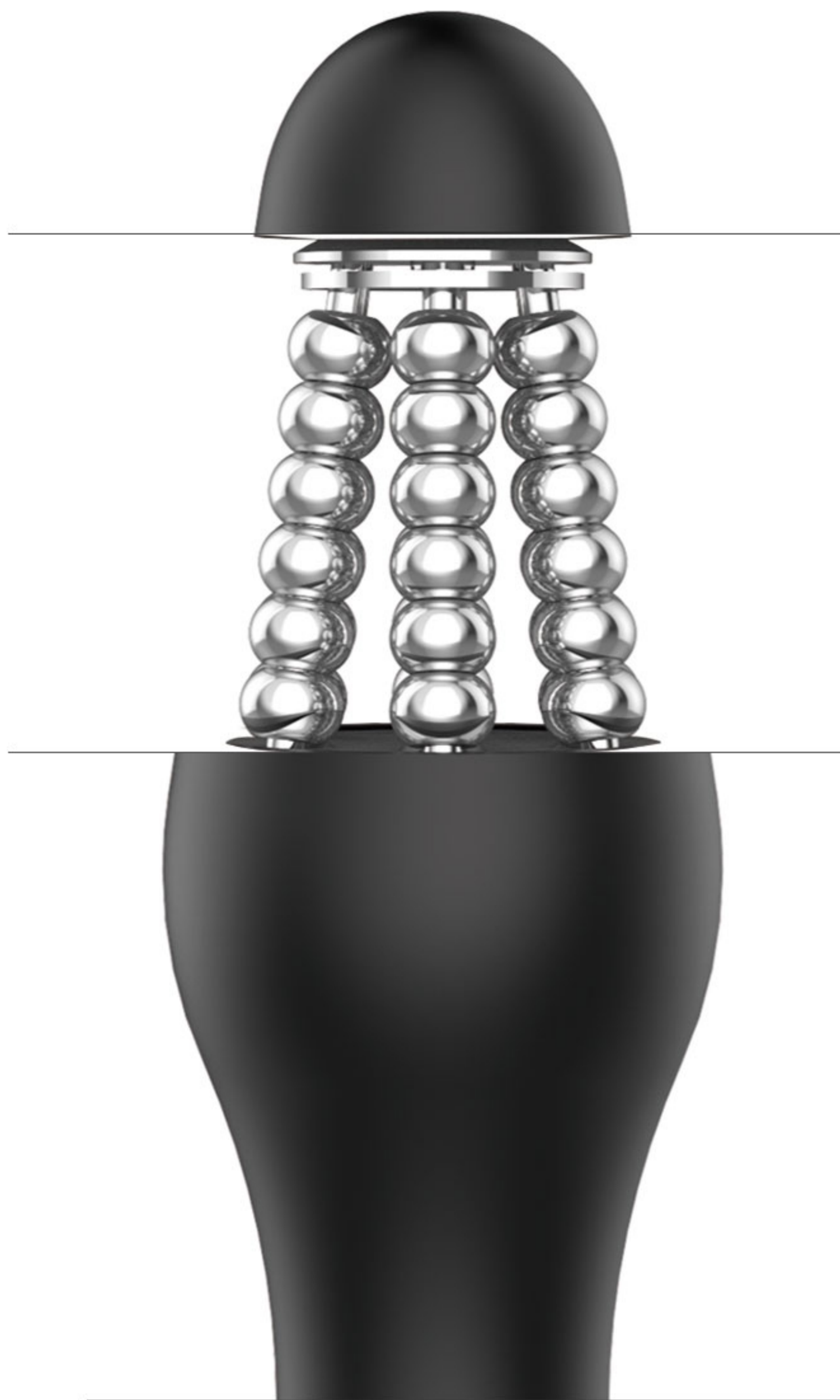


A0024 ANCHOR

Specification

Material: Silicone , ABS
Vibration mode: 7 types
Working voltage: 3.7V
Battery capacity: 300mAh
Waterproof : IPX6
Working noise: <60 dB
Duration: > 70 minutes (under fully charged)

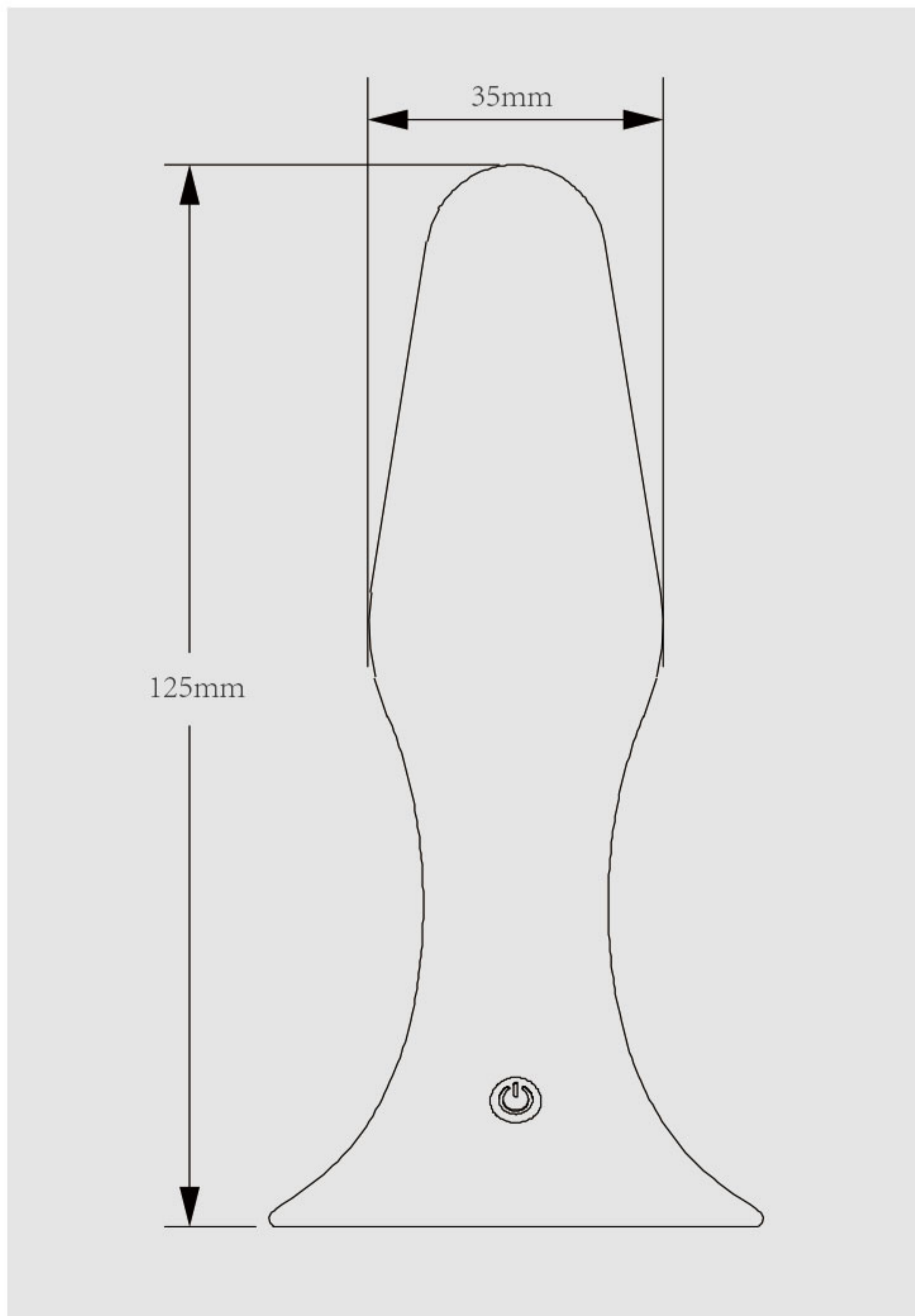
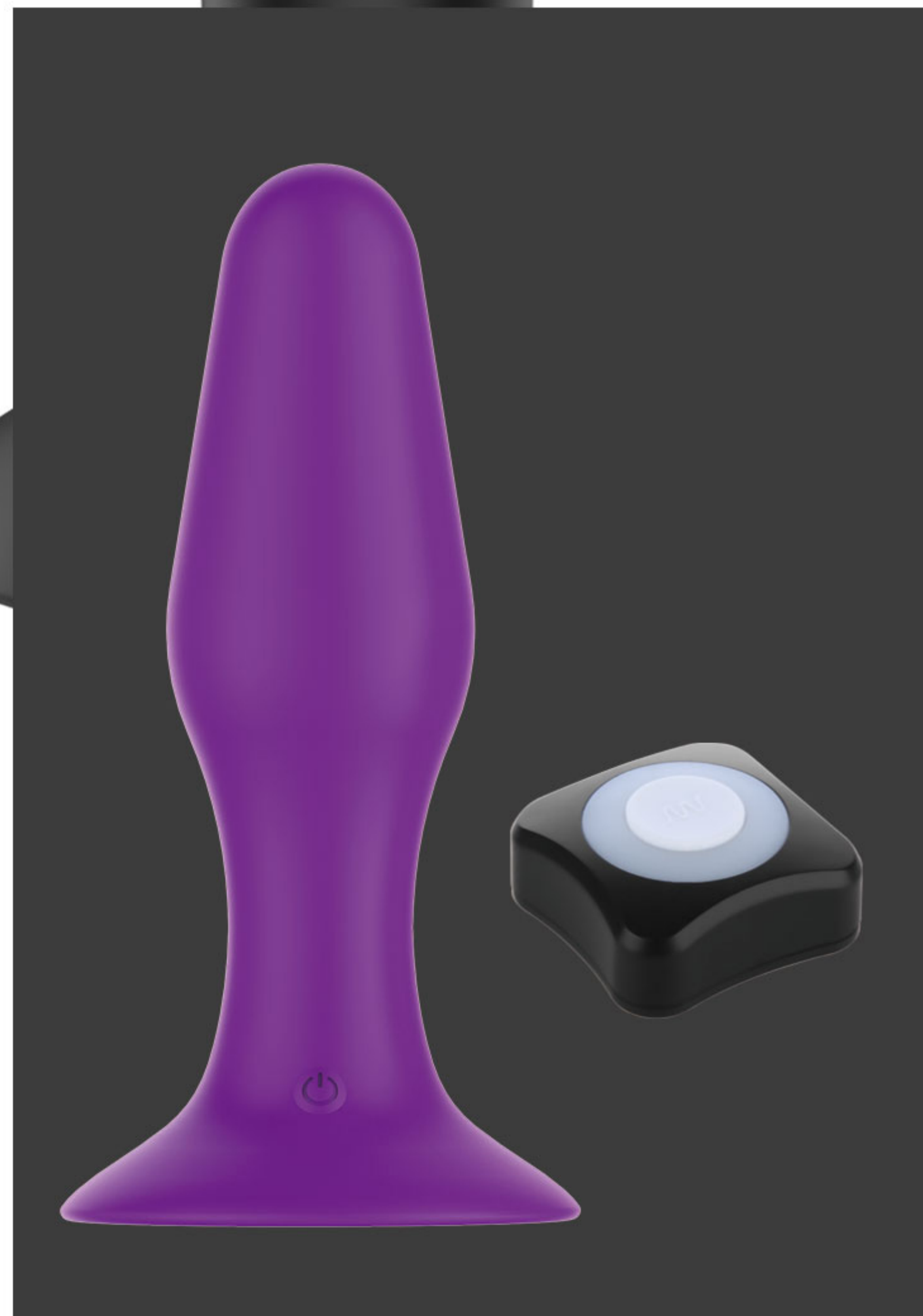




R0004 SOLO

Specification

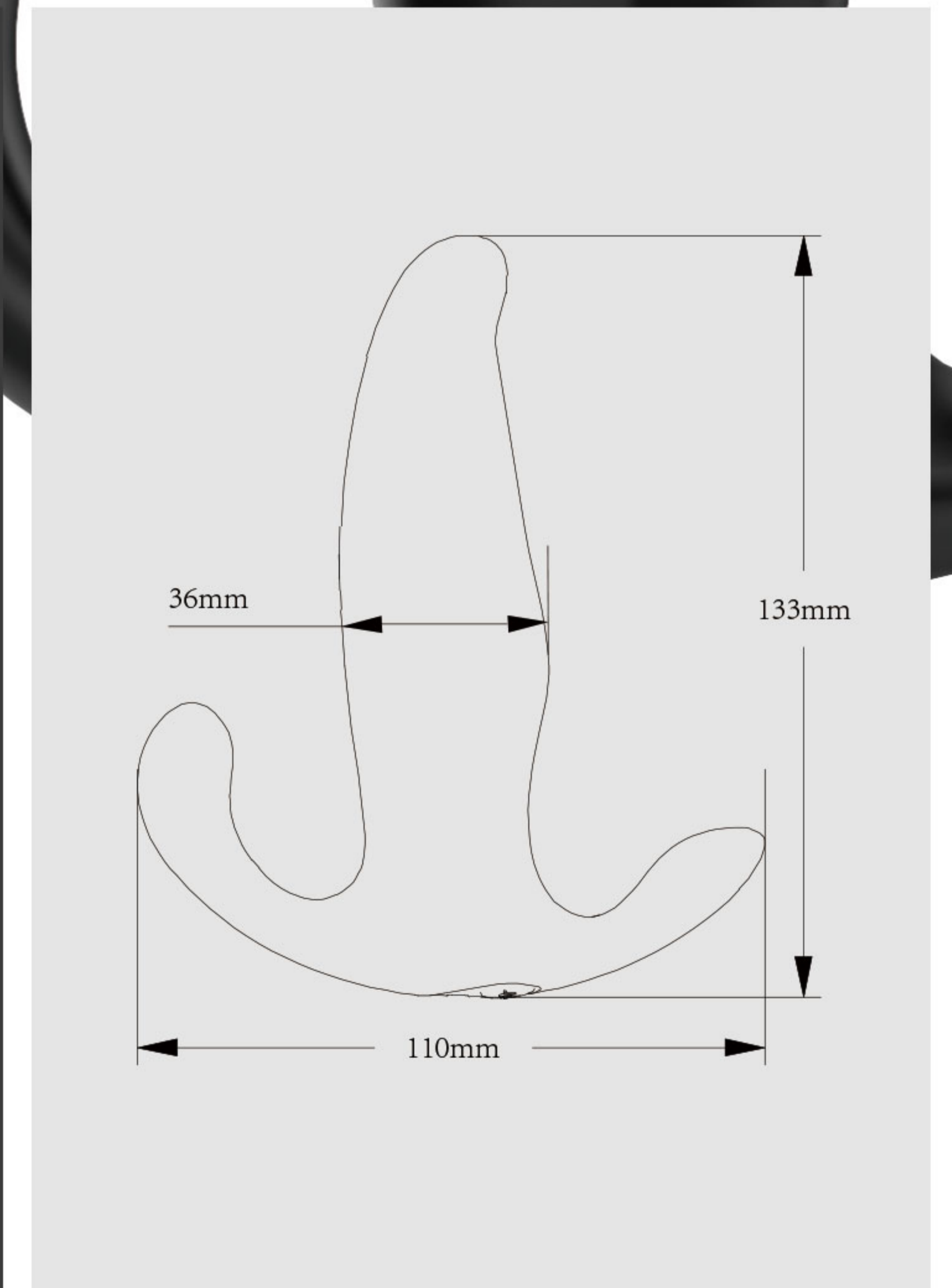
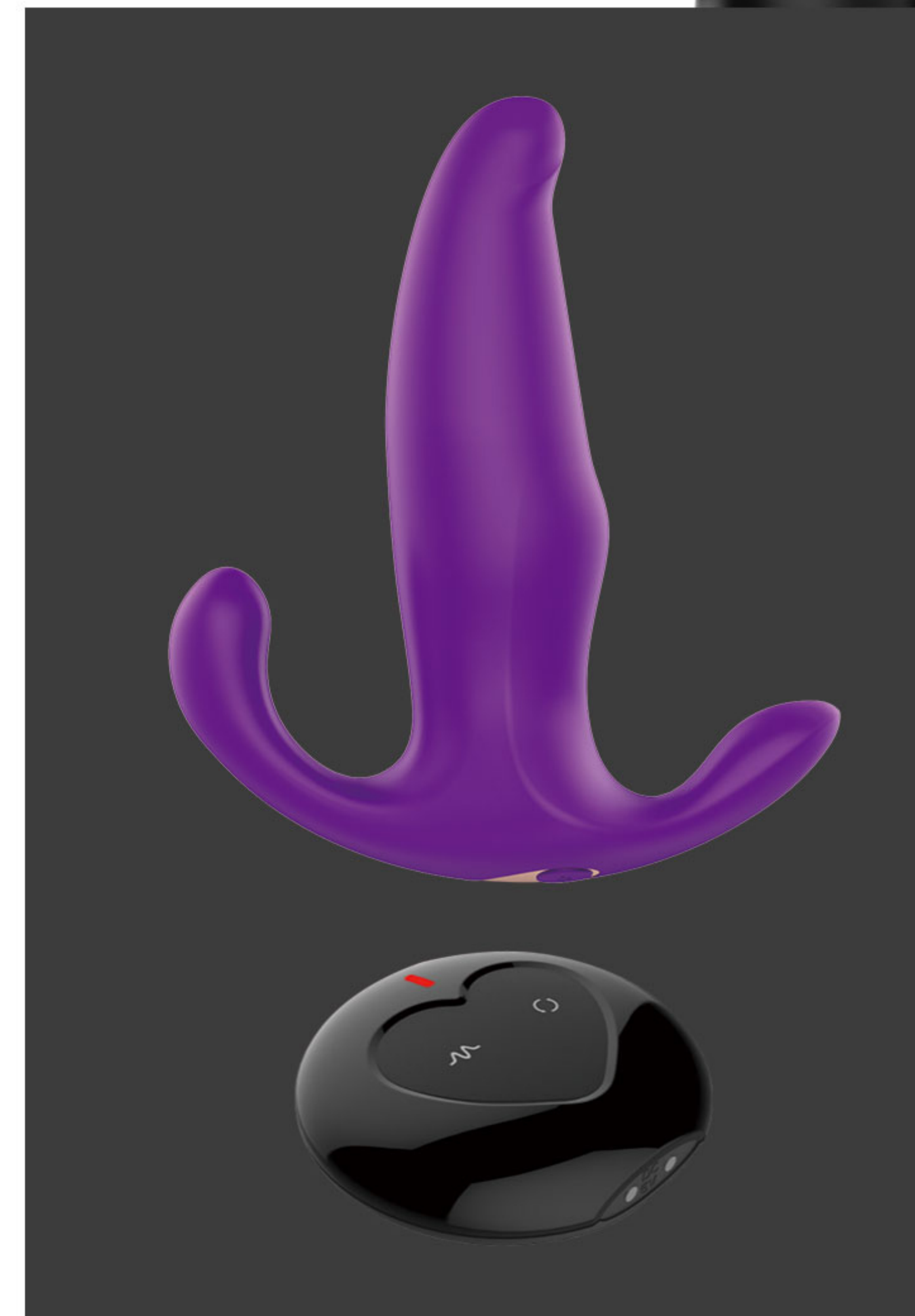
Material: Silicone , ABS
 Rotation modes: 3 types
 Rotation intensities: 2 levels
 Remote control battery: LR44/1.5V * 2
 Massager battery: 220mAh 3.7V lithium battery
 Waterproof: IPX6
 Working noise: <60dB
 Duration: >60minutes (under fully charged)



R0005 HOOK

Specification

Material: Silicone , ABS
 Vibration modes: 6 types
 Rotation intensities: 3 types
 Waterproof: IPX6
 Working noise: <60dB
 Remote control battery: 70mAh 3.7V lithium battery
 Massager battery: 300mAh 3.7V lithium battery
 Duration: >60minutes (under fully charged)



C0001 ANGELKISS

Specification

Material: Silicone , ABS

Vibration modes: 7 types

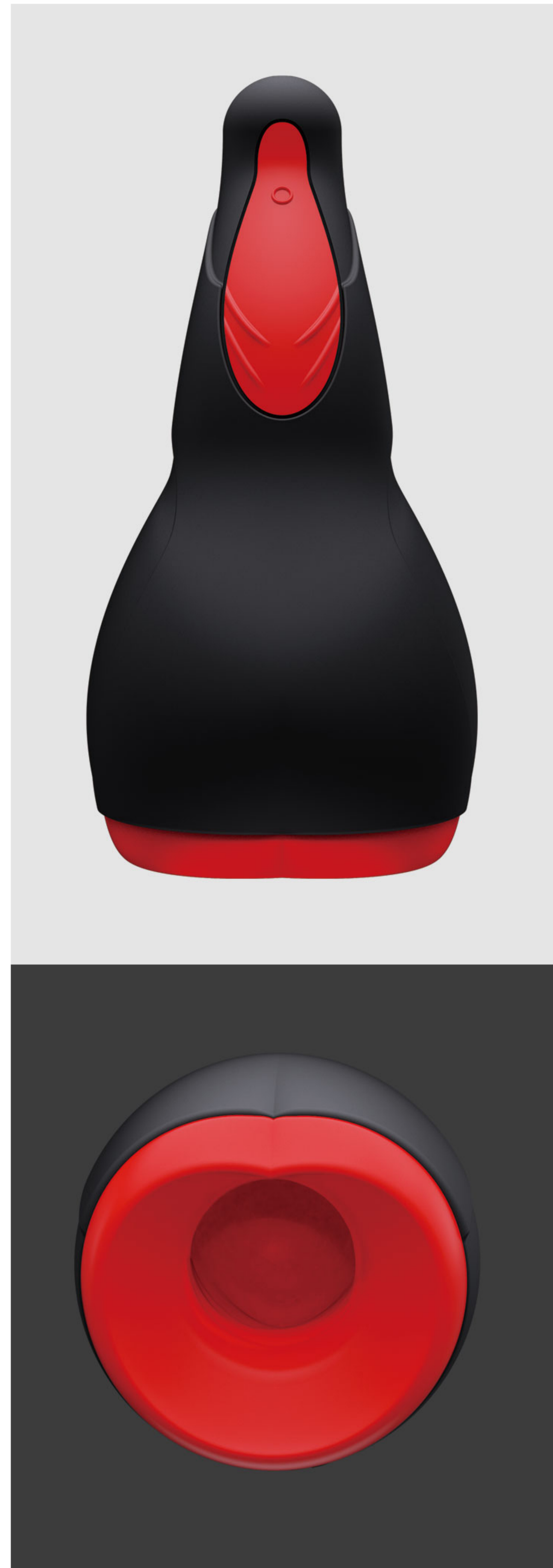
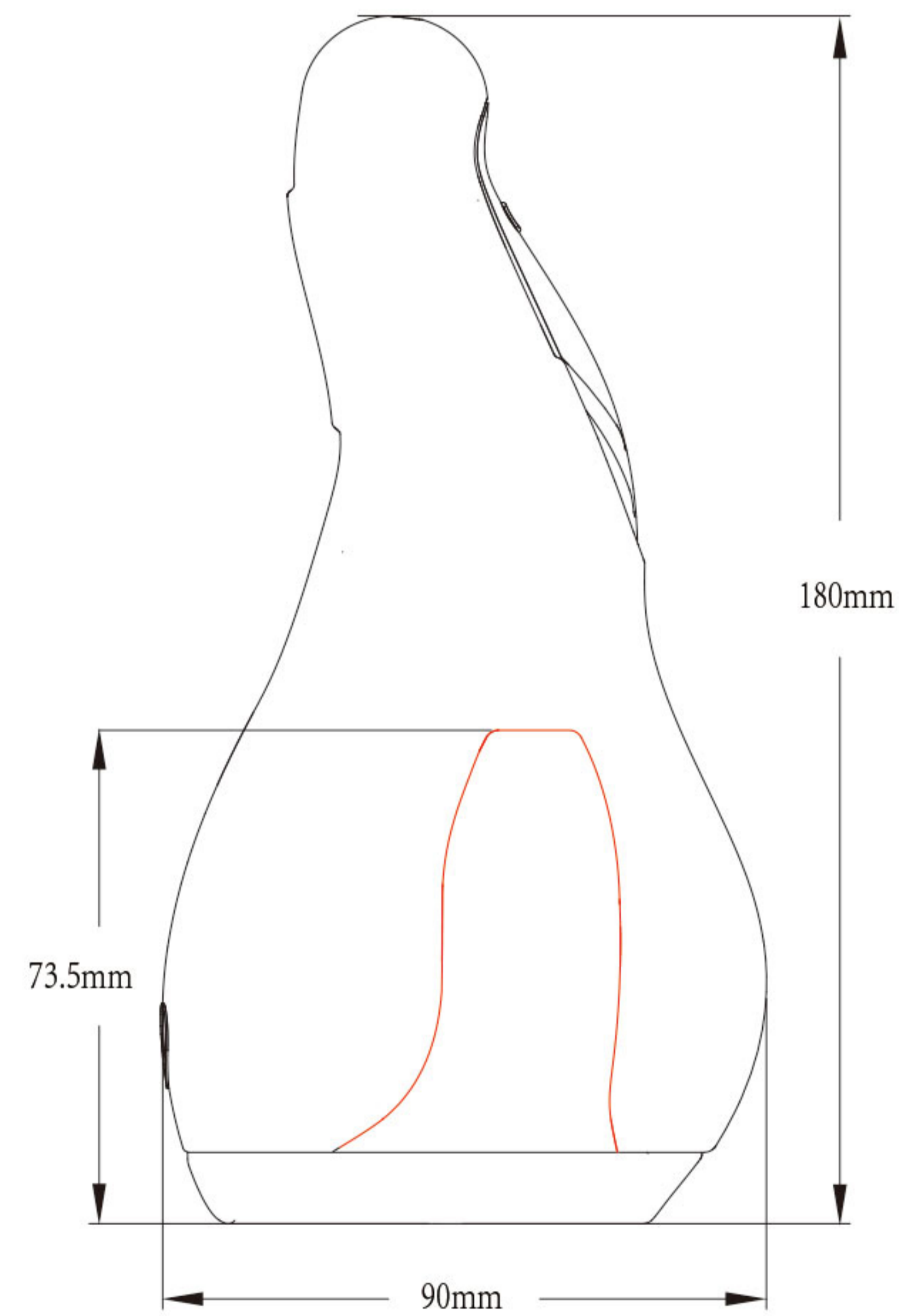
Working voltage: 3.7V

Battery capacity: 400mAh

Waterproof : IPX6

Working noise: <60 dB

Duration: > 60 minutes(under fully charged)



C0004 AIRTURN

Specification

Material: Silicone , ABS

Product features: 7 Vibration modes,

2 heating levels,

OLED display,

intelligent reaction,

times counting.

Heating patterns: 35±5°C / 45±5°C

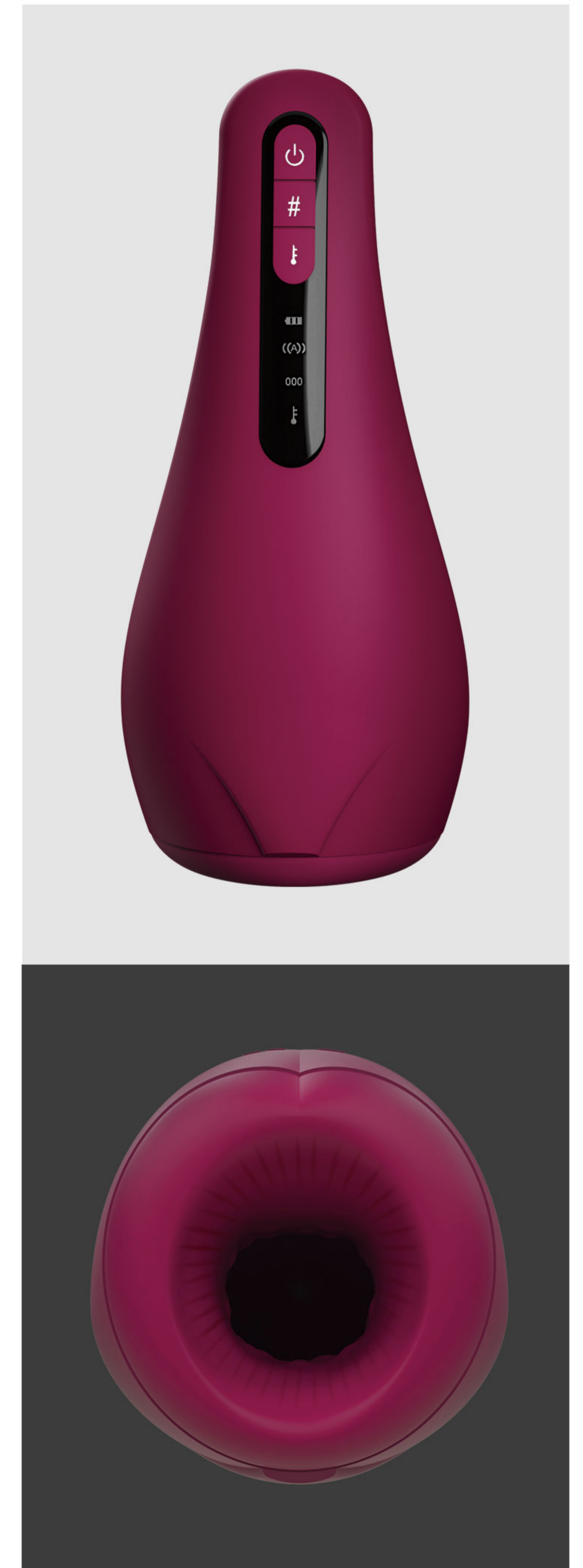
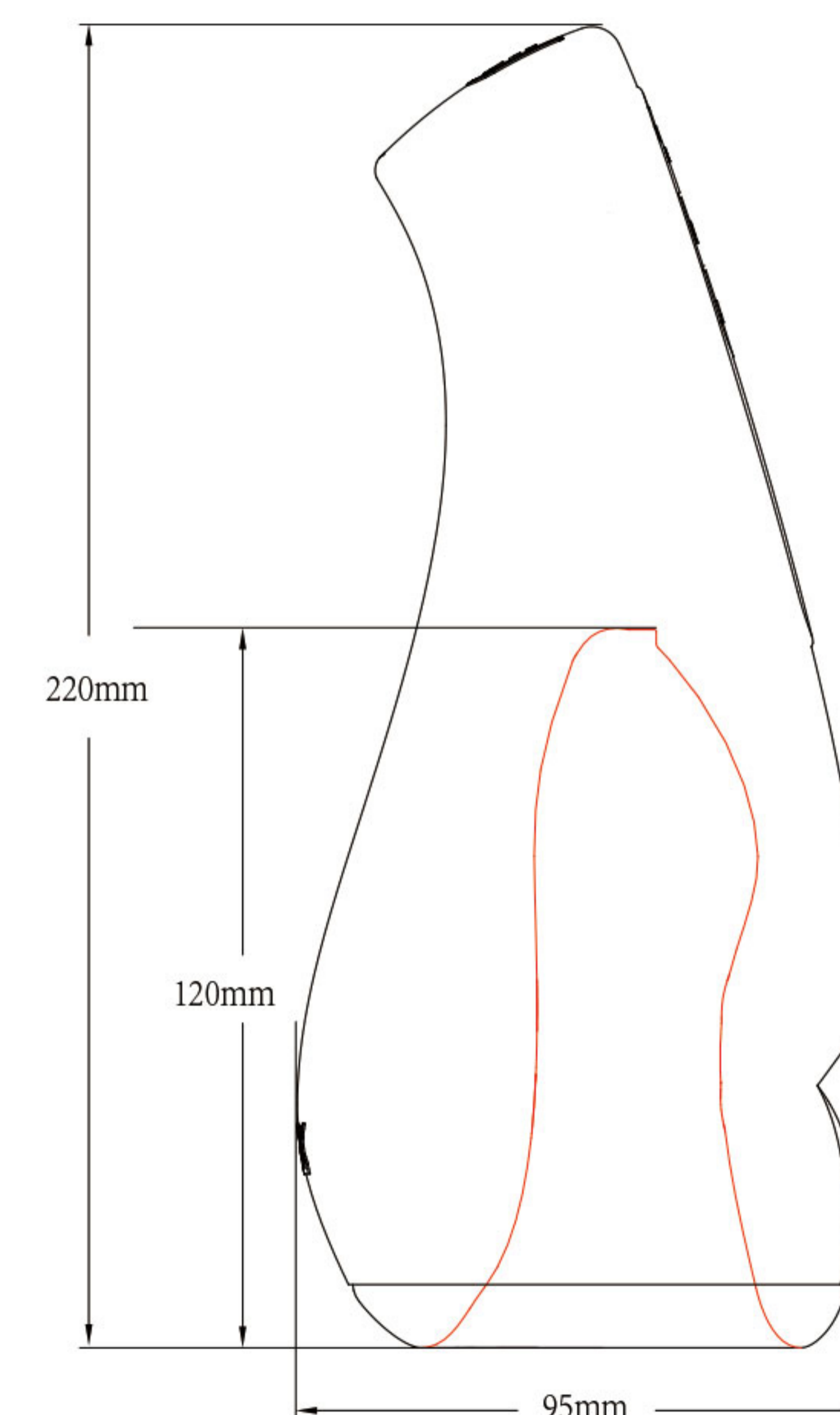
Working voltage: 3.7V

Battery capacity: 1000mAh

Waterproof : IPX6

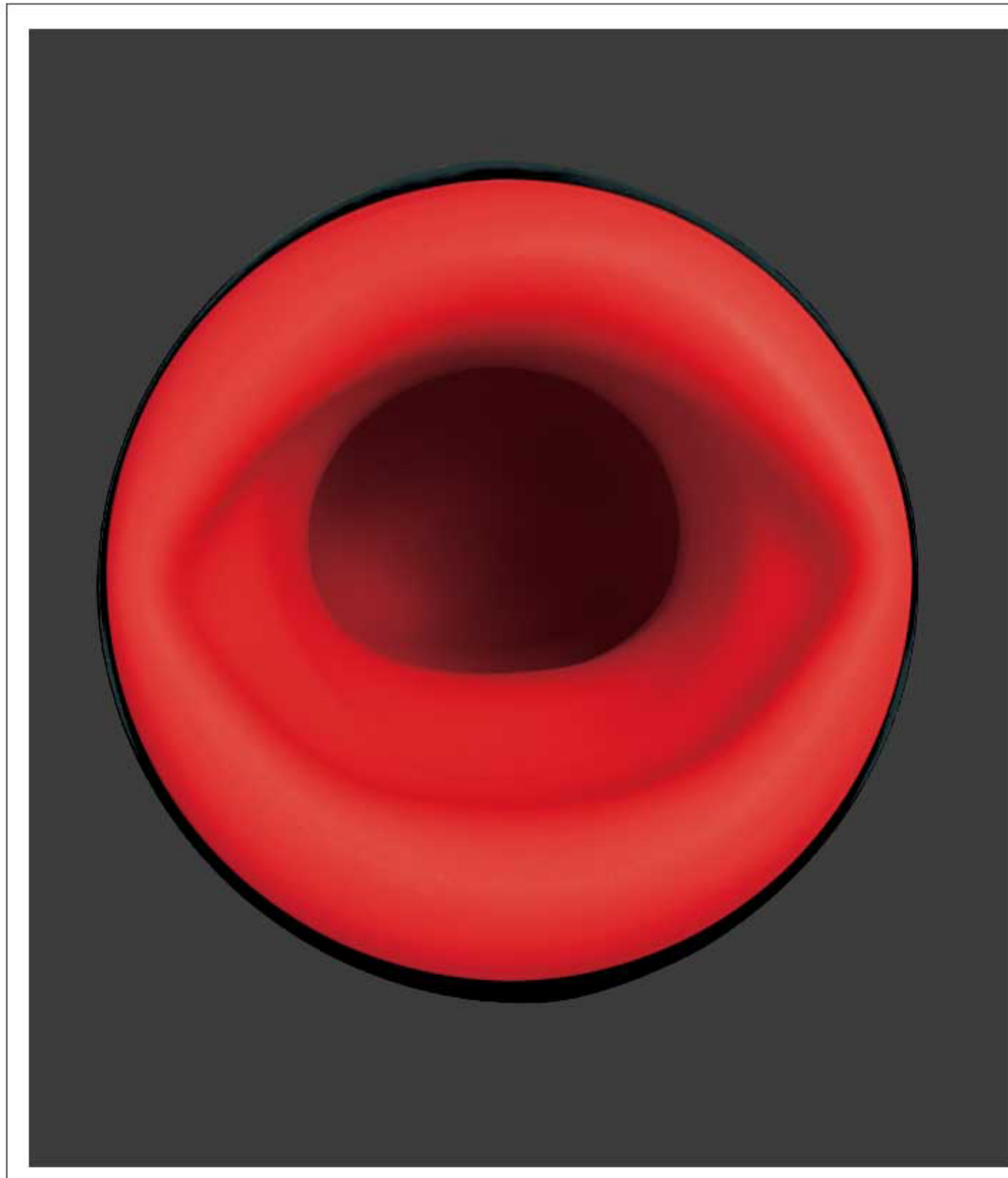
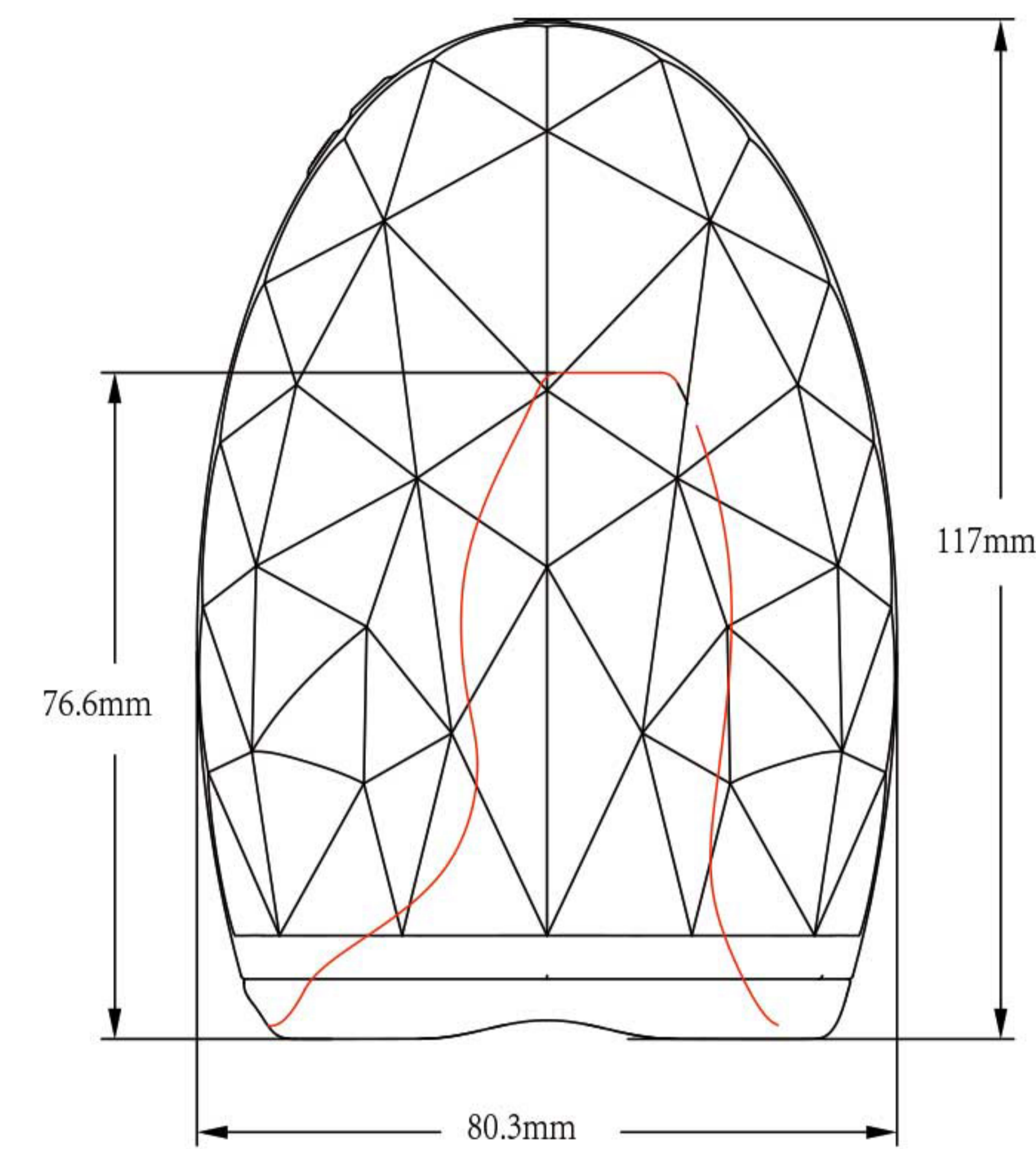
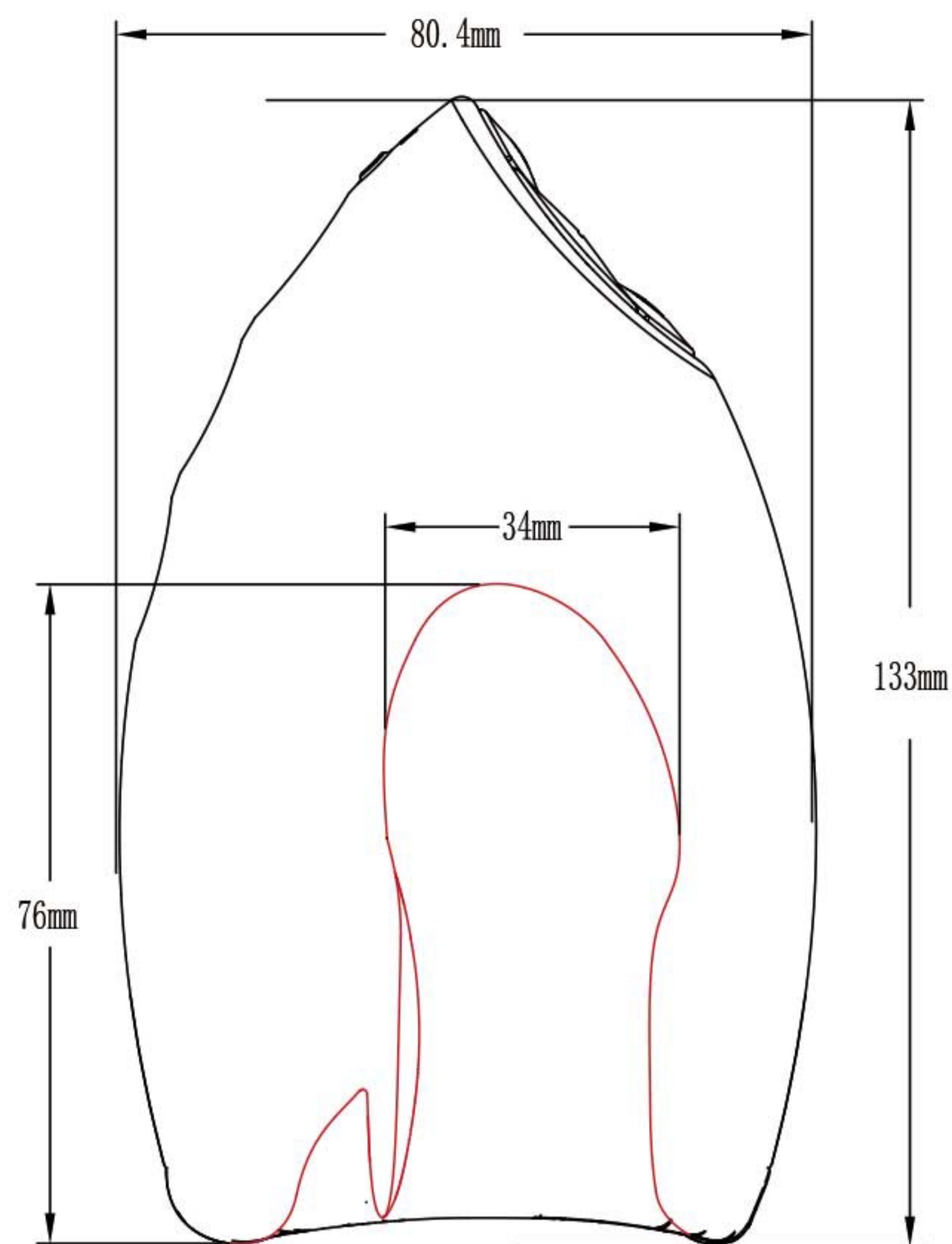
Working noise: <60 dB

Duration: > 60 minutes(under fully charged)



CUSTOMIZED COLOR IS AVAILABLE

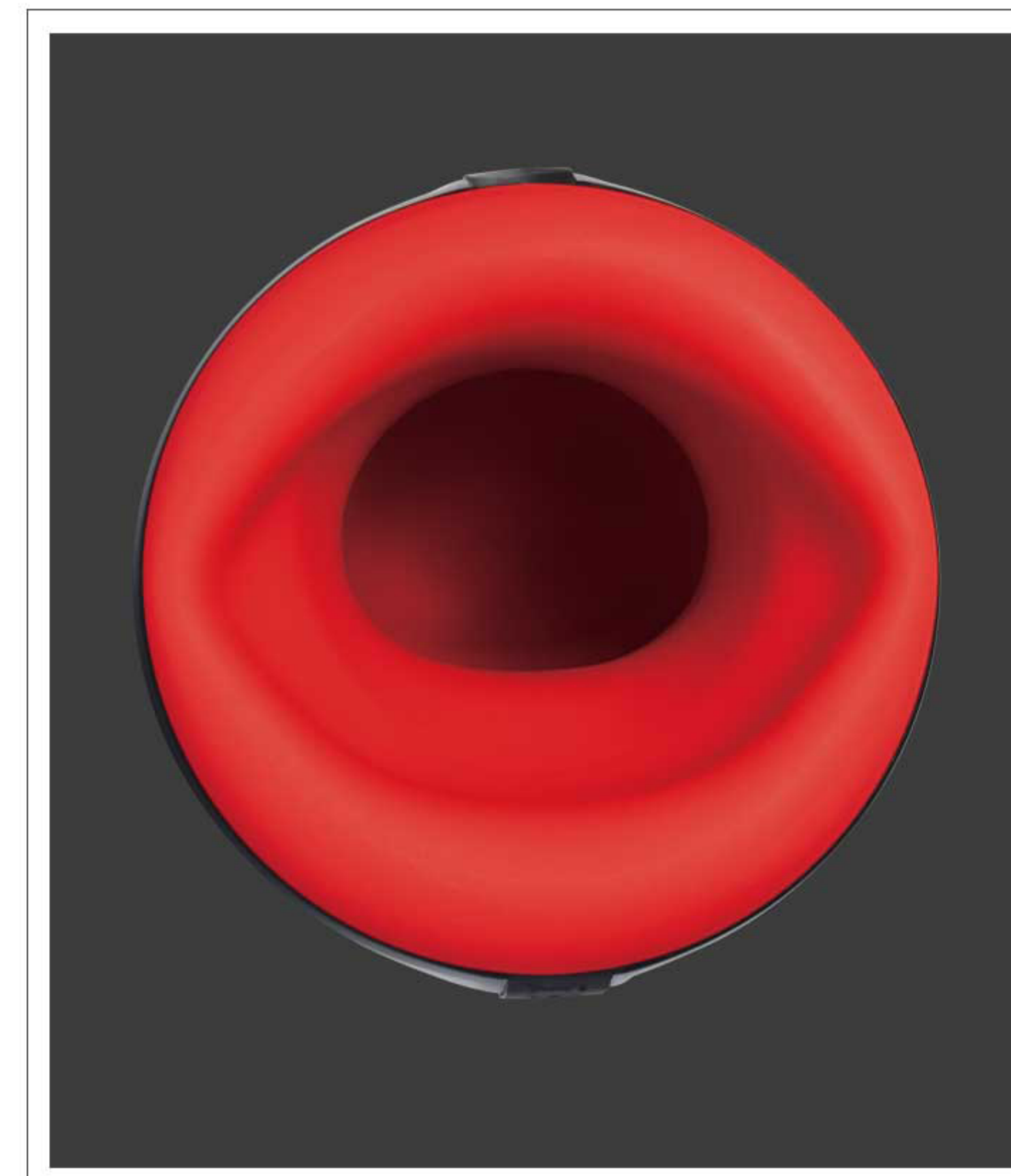
CUSTOMIZED COLOR IS AVAILABLE



C0002 CHIVEN

Specification

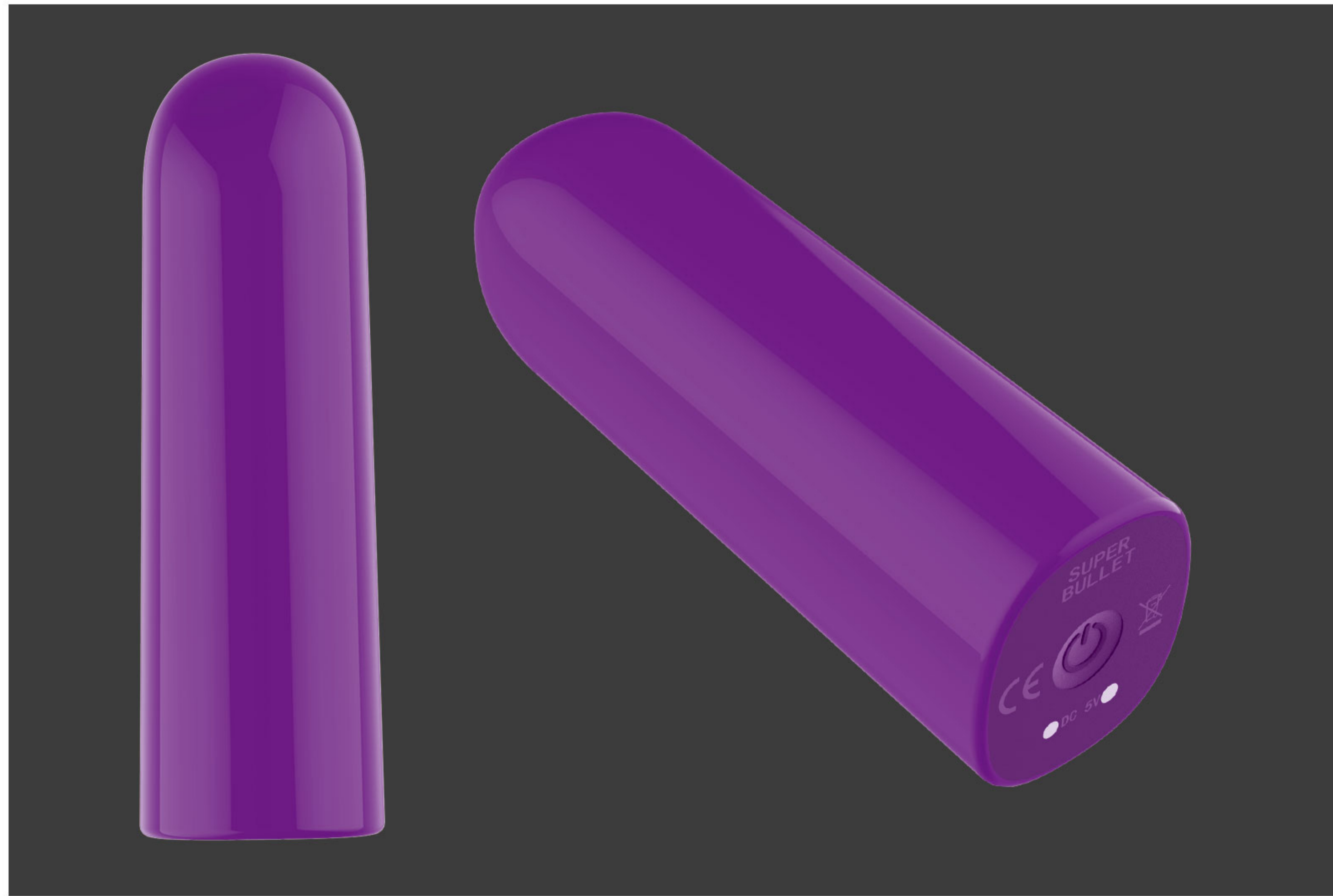
Material: Silicone , ABS
 Vibration mode: 6 types, 3 levels
 Heating patterns: 35±5°C / 45±5°C
 Working voltage: 3.7V
 Battery capacity: 1000mAh
 Waterproof : IPX6
 Working noise: <60 dB
 Duration: > 60 minutes(under fully charged)



C0003 NINJA

Specification

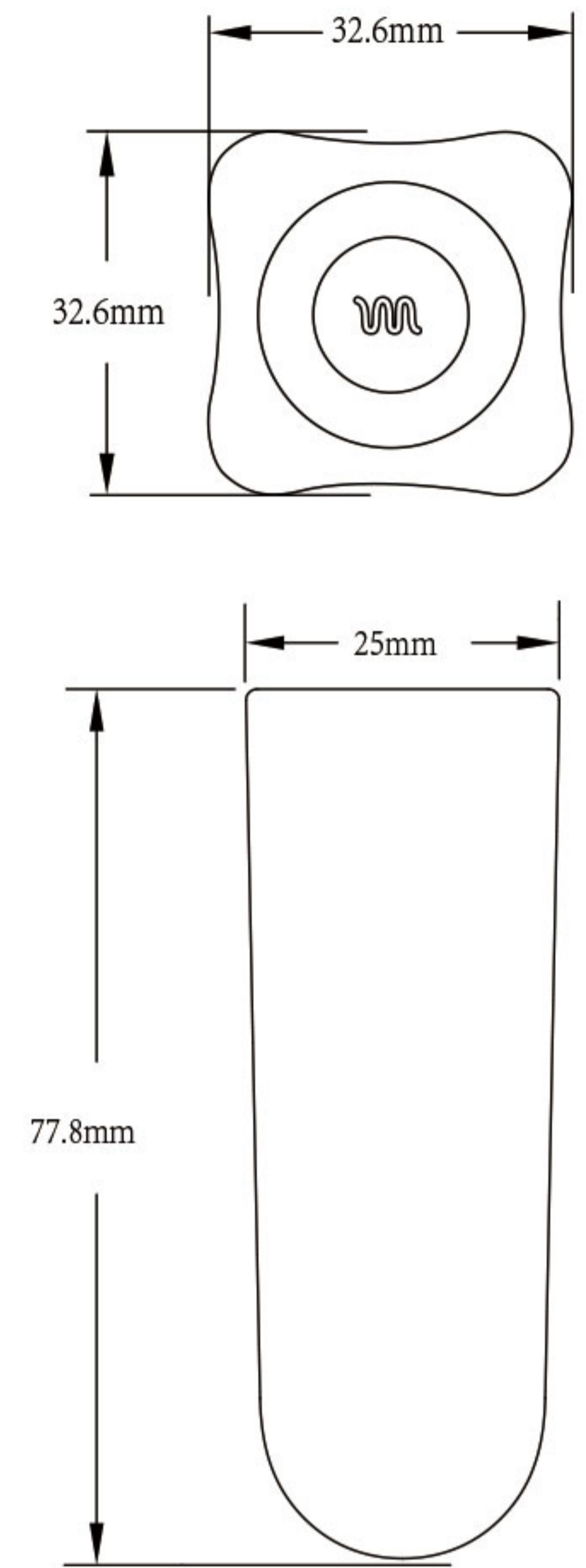
Material: Silicone , ABS
 Vibration mode: 8 types
 Heating patterns: 35±5°C / 45±5°C
 Working voltage: 3.7V
 Battery capacity: 1000mAh
 Waterproof : IPX6
 Working noise: <60 dB
 Duration: > 60 minutes(under fully charged)



R0003 SUPER BULLET

Specification

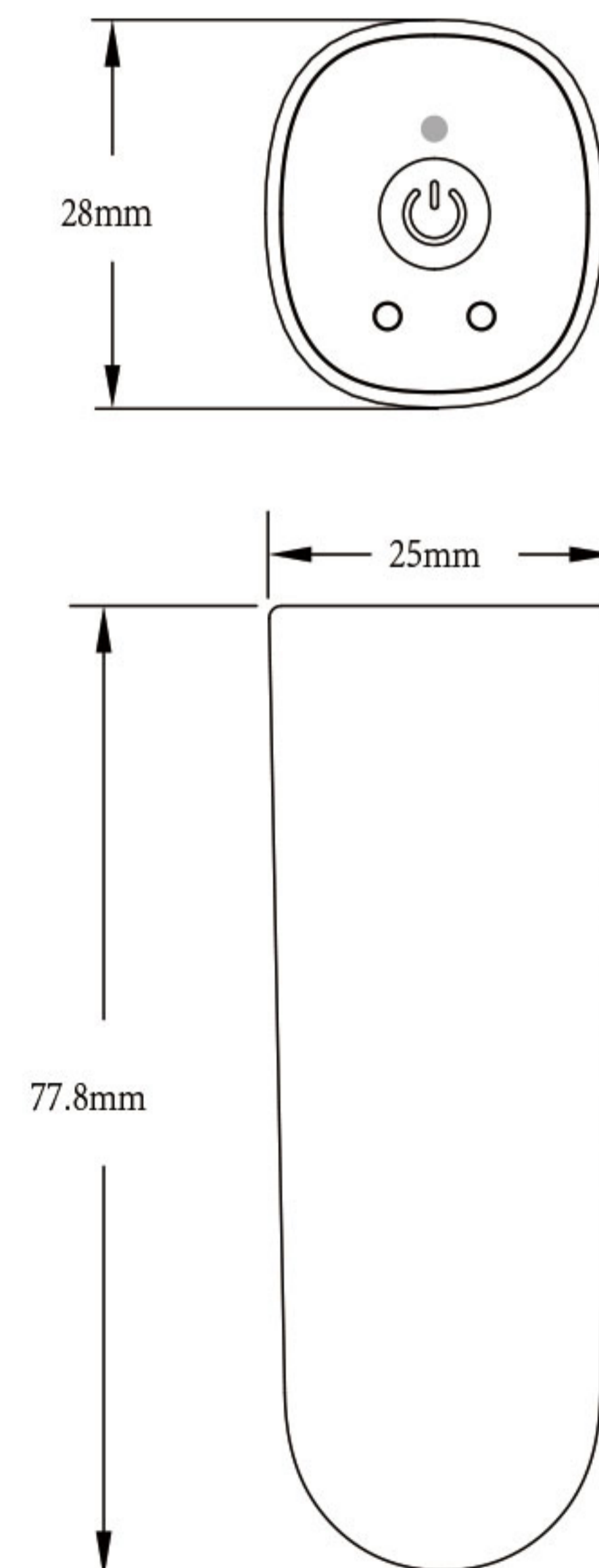
- Material: Silicone , ABS
- Vibration mode: 7 types
- Remote control battery: LR44/1.5V*2
- Vibrant bullet battery: 500mAh 3.7V lithium battery
- Waterproof: IPX7
- Working noise: <60 dB
- Duration: > 60 minutes (under fully charged)

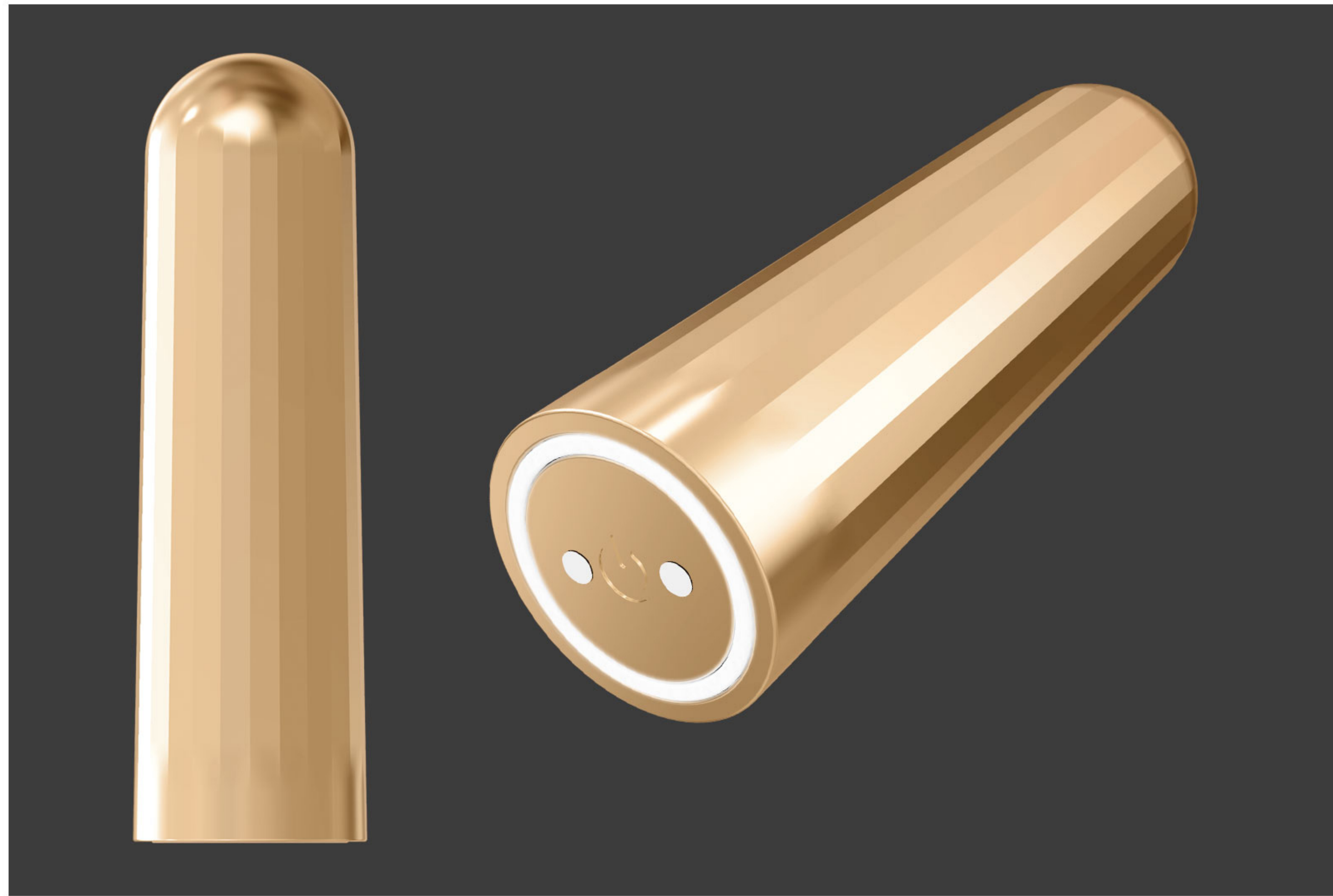


A0032 SUPER BULLET

Specification

- Material: Silicone , ABS
- Vibration mode: 7 types
- Working voltage: 3.7V
- Battery capacity: 500mAh
- Waterproof: IPX7
- Working noise: <60 dB
- Duration: > 60 minutes (under fully charged)

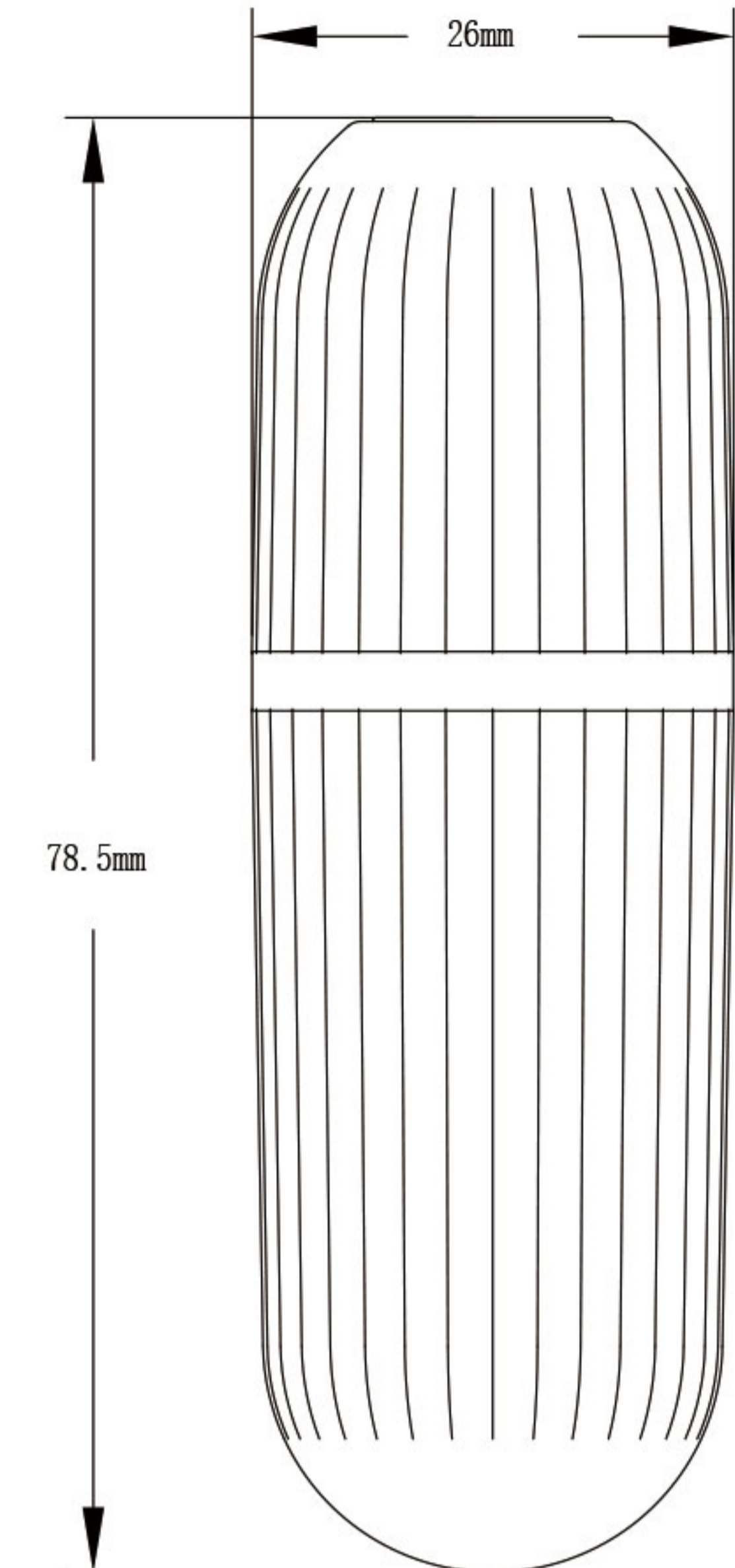




A0039 BIGCAP

Specification

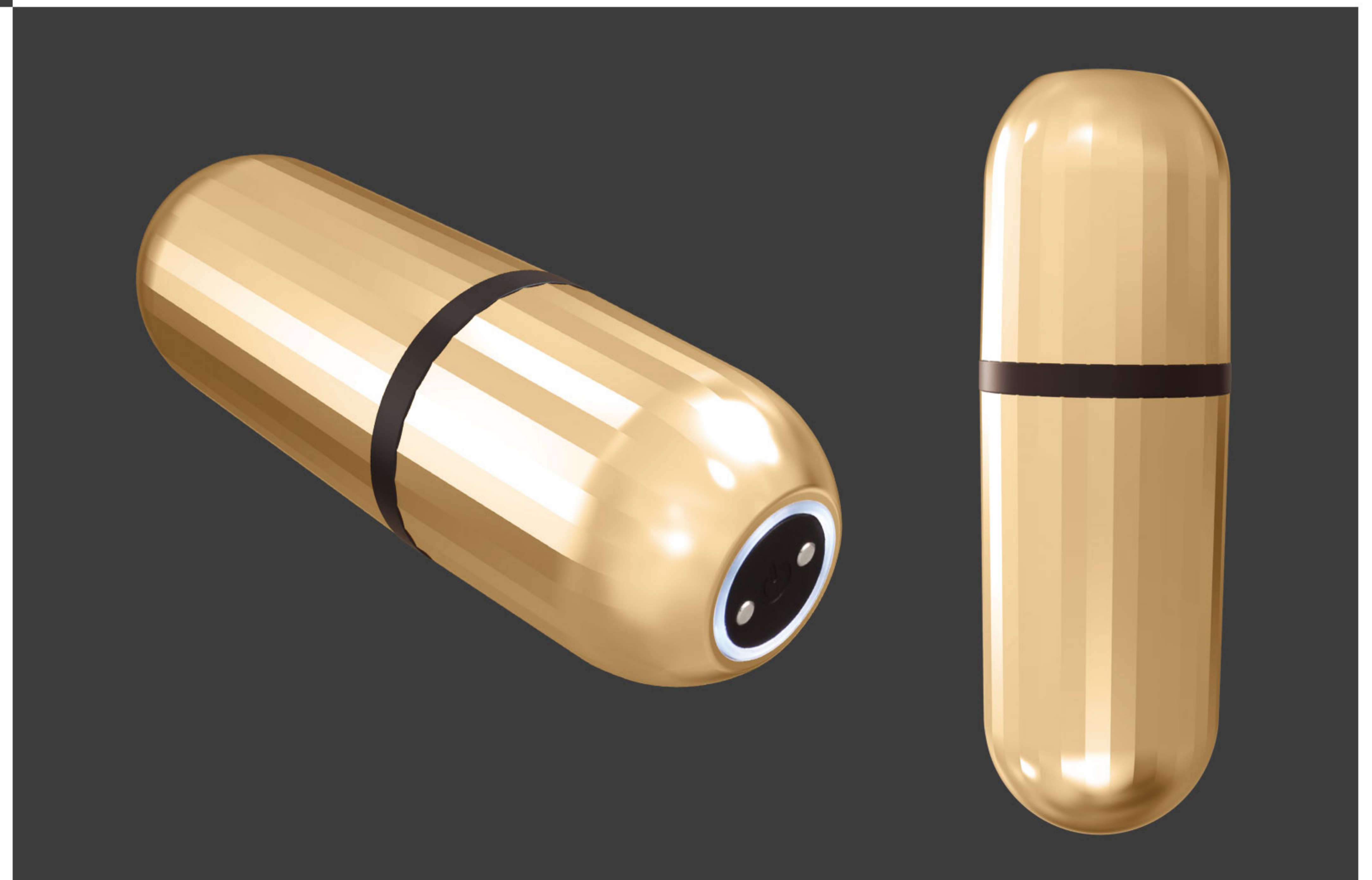
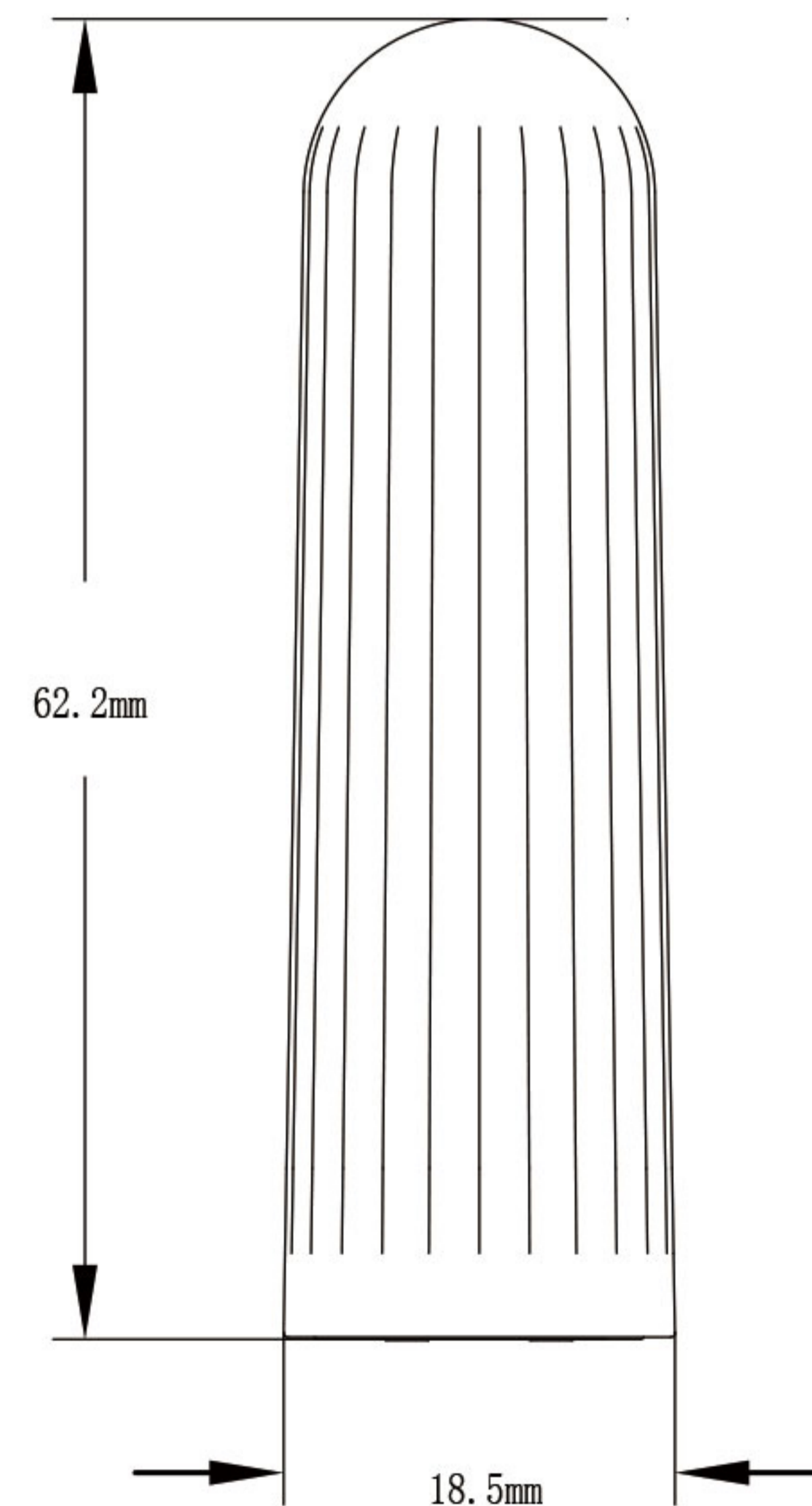
Material: Silicone , ABS
 Vibration mode: 7 types
 Working voltage: 3.7V
 Battery capacity: 500mAh
 Waterproof: IPX6
 Working noise: <60 dB
 Duration: > 120 minutes (under fully charged)



A0040 SLICAP

Specification

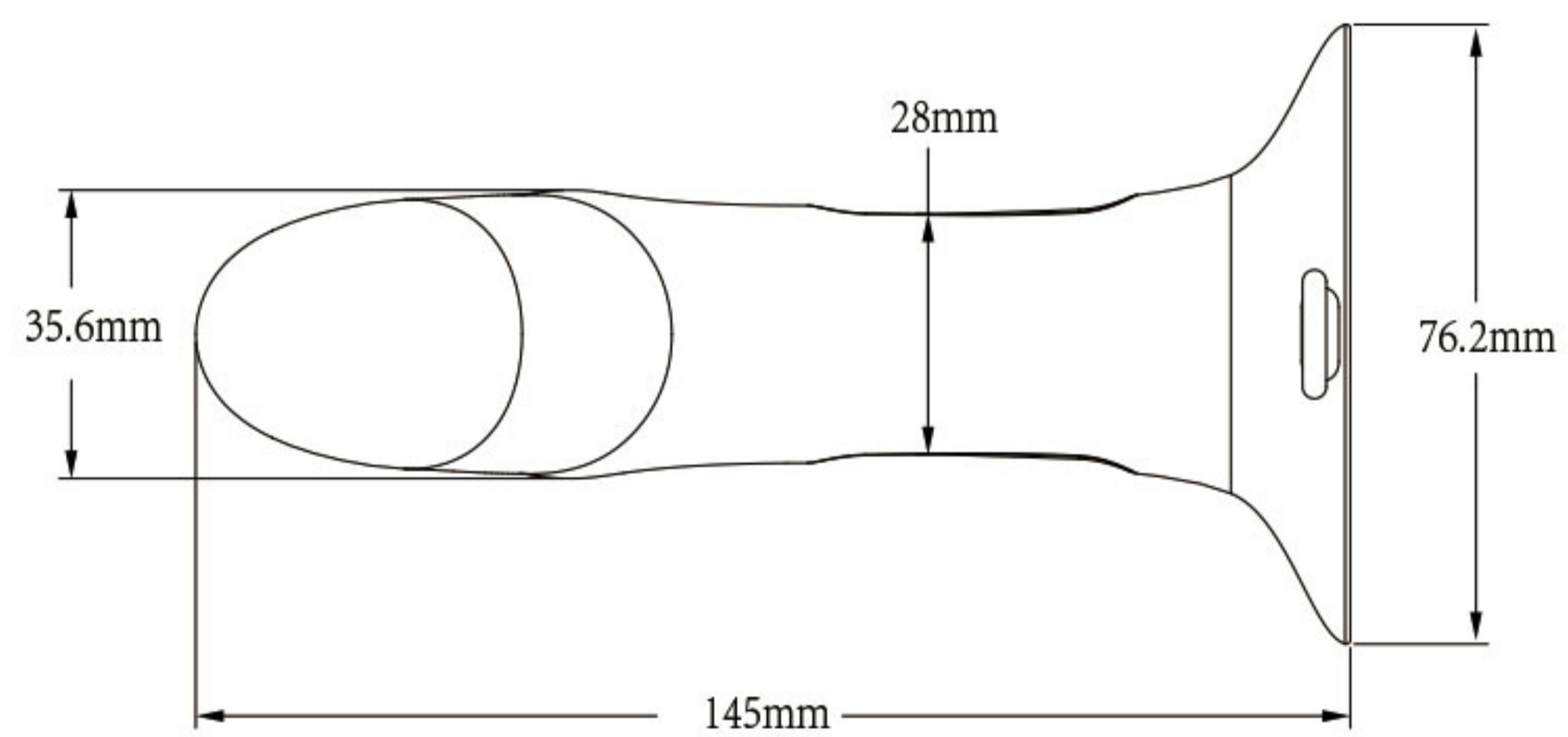
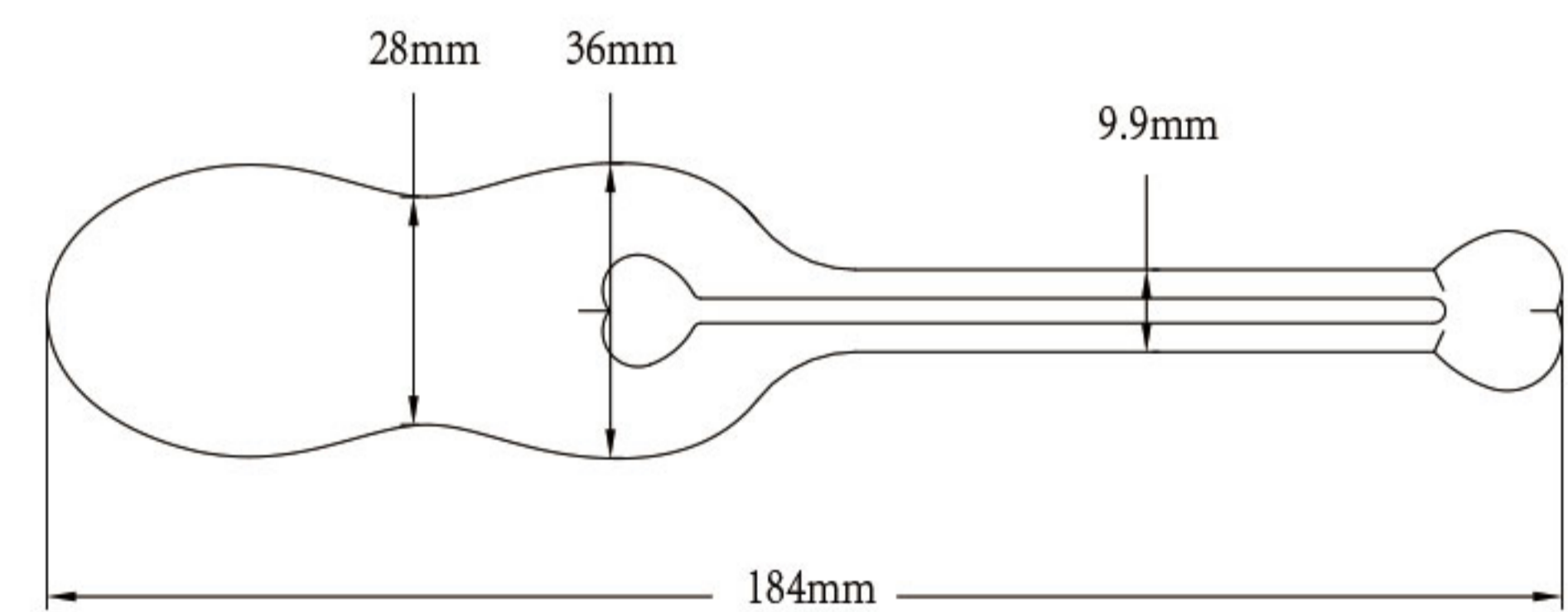
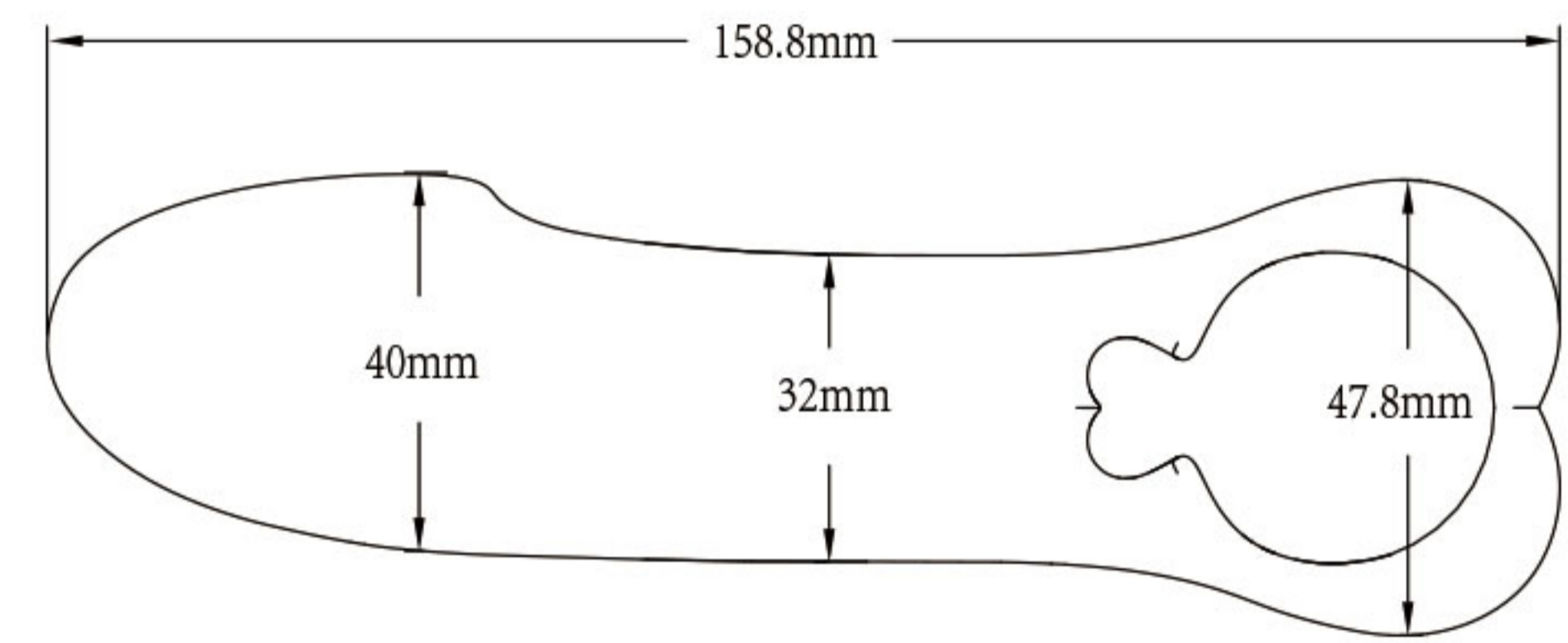
Material: Silicone , ABS
 Vibration mode: 7 types
 Working voltage: 3.7V
 Battery capacity: 180mAh
 Waterproof: IPX6
 Working noise: <60 dB
 Duration: > 60 minutes (under fully charged)



K0001 SUPER BULLET KIT

Specification

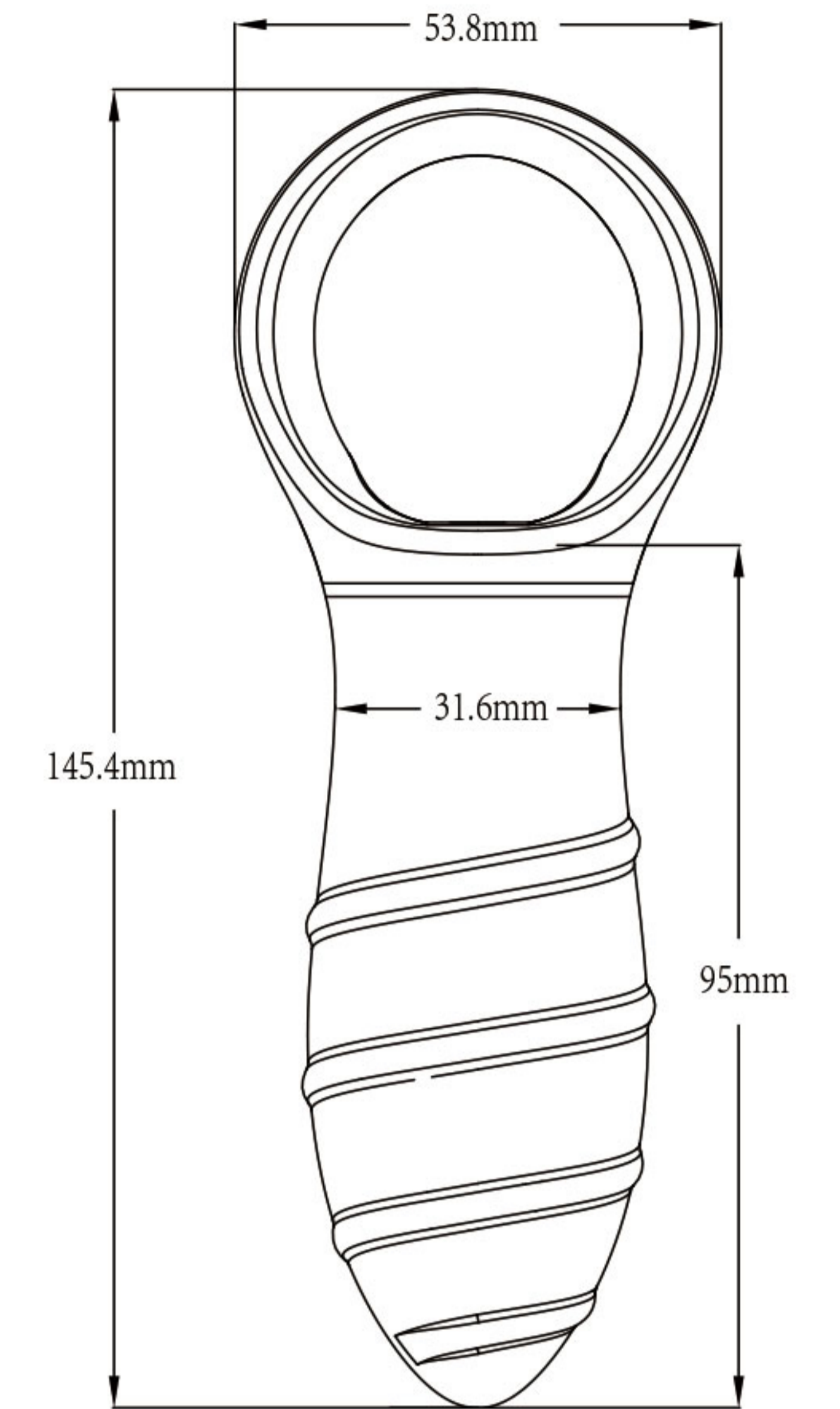
Material: Silicone , ABS
 Vibration mode: 7 types
 Working voltage: 3.7V
 Battery capacity: 500mAh
 Waterproof: IPX7
 Working noise: <60 dB
 Duration: > 60 minutes (under fully charged)



K0010 MICHEL SLEEVES

Specification

Material: Silicone , ABS
 Vibration mode: 7 types
 Working voltage: 3.7V
 Battery capacity: 500mAh
 Waterproof: IPX7
 Working noise: <60 dB
 Duration: > 60 minutes (under fully charged)



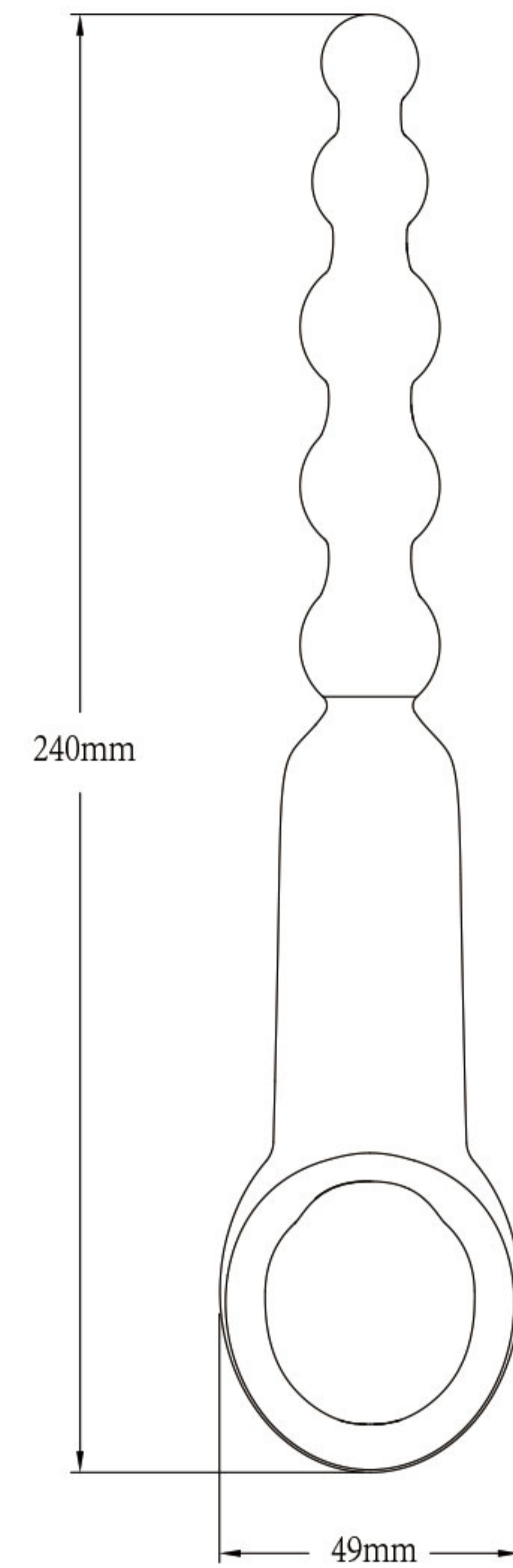
CUSTOMIZED COLOR IS AVAILABLE

CUSTOMIZED COLOR IS AVAILABLE

K0006 HAPPY BALLS SLEEVES

Specification

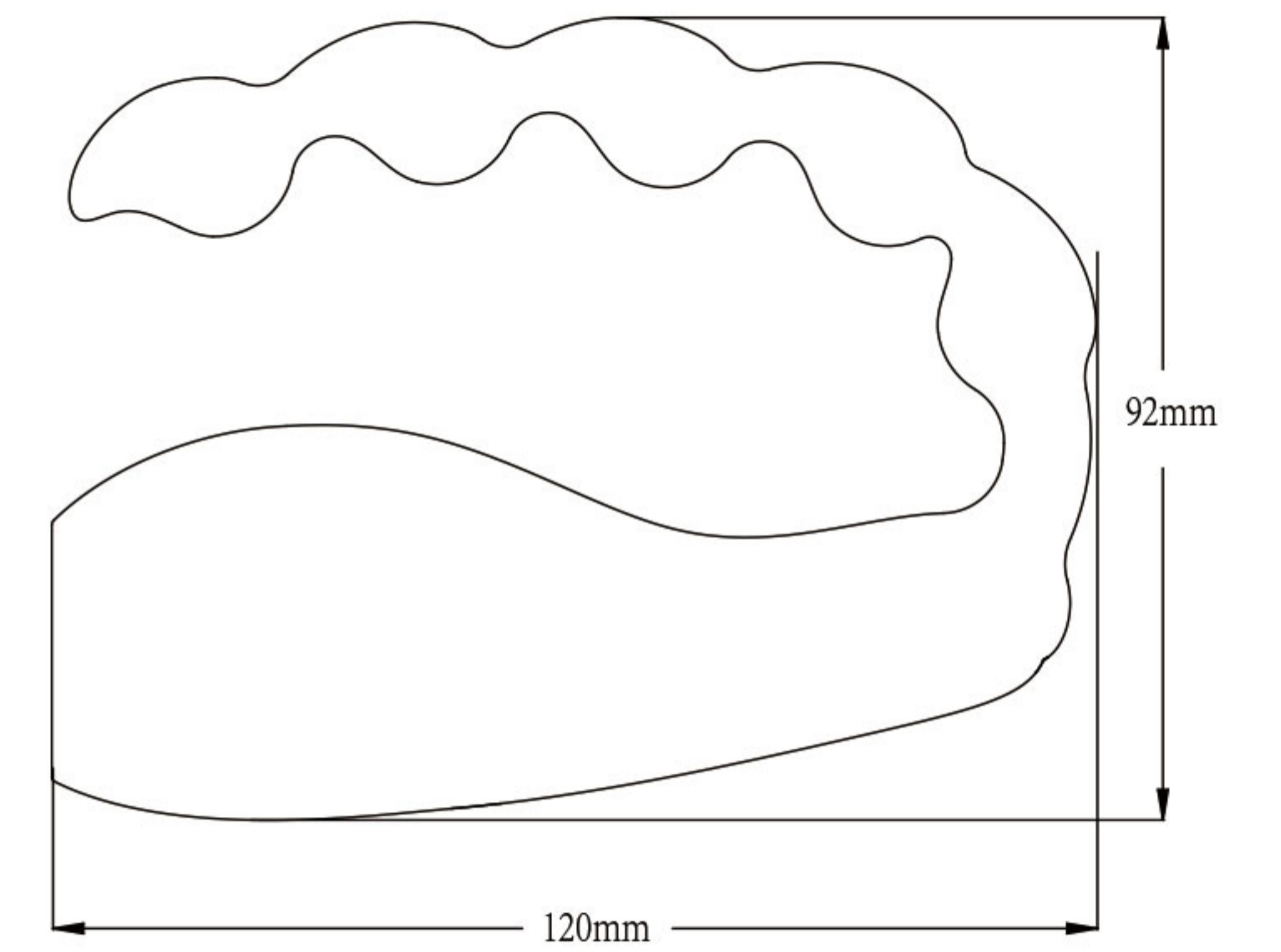
Material: Silicone , ABS
Vibration mode: 7 types
Working voltage: 3.7V
Battery capacity: 500mAh
Waterproof: IPX7
Working noise: <60 dB
Duration: > 60 minutes (under fully charged)



K0009 SCOFIELD SLEEVES

Specification

Material: Silicone , ABS
Vibration mode: 7 types
Working voltage: 3.7V
Battery capacity: 500mAh
Waterproof: IPX7
Working noise: <60 dB
Duration: > 60 minutes (under fully charged)

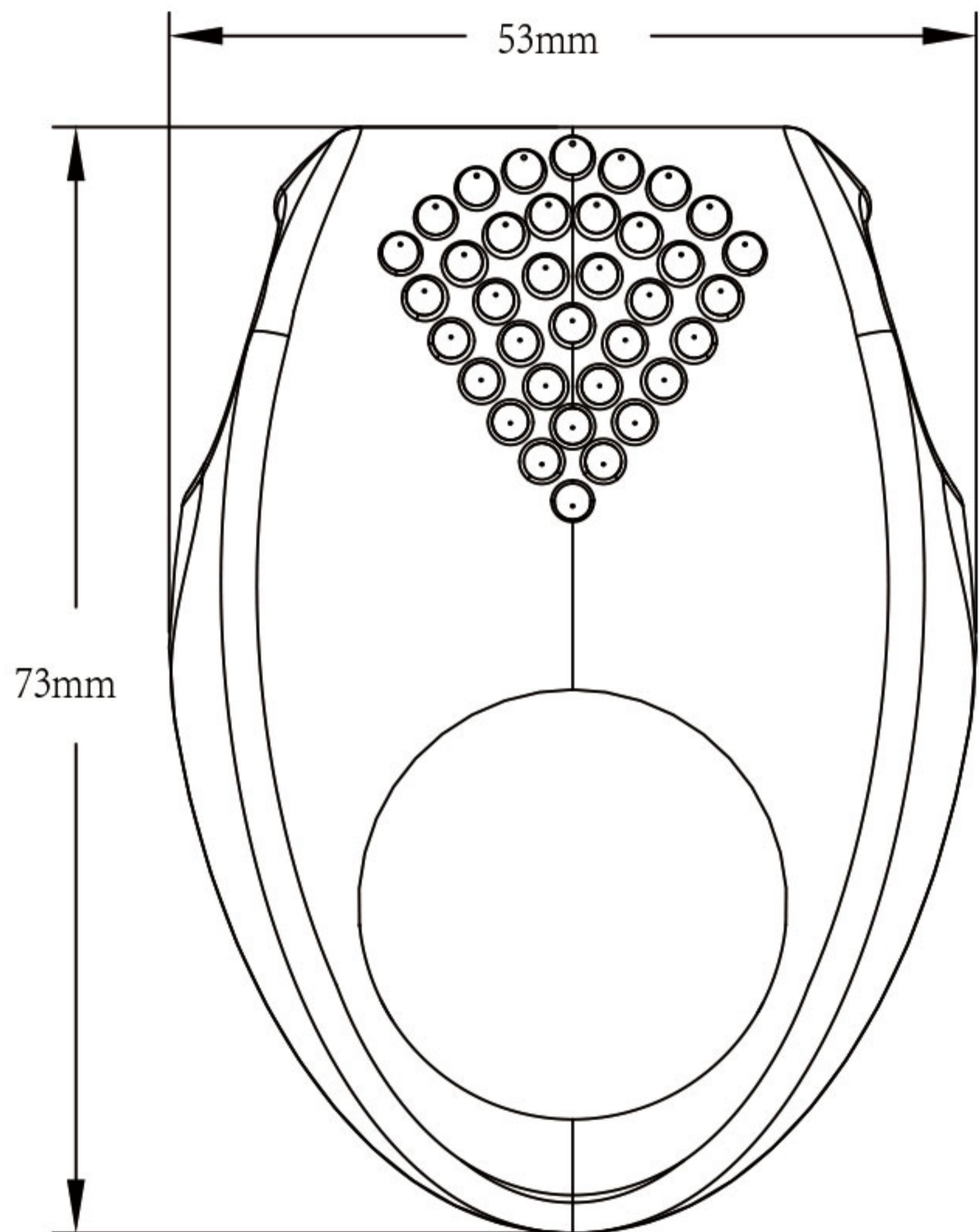
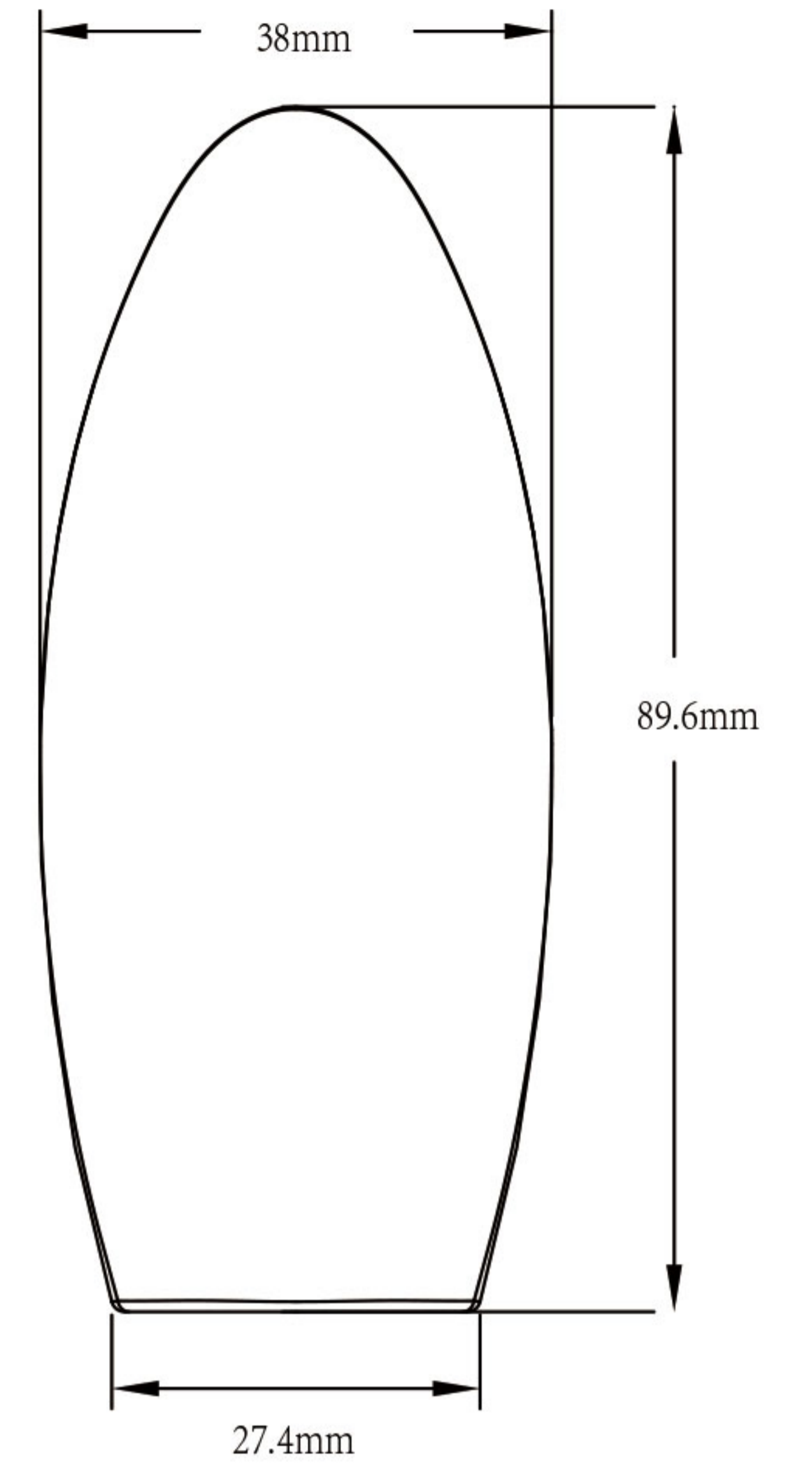




K0008 TONGUE

Specification

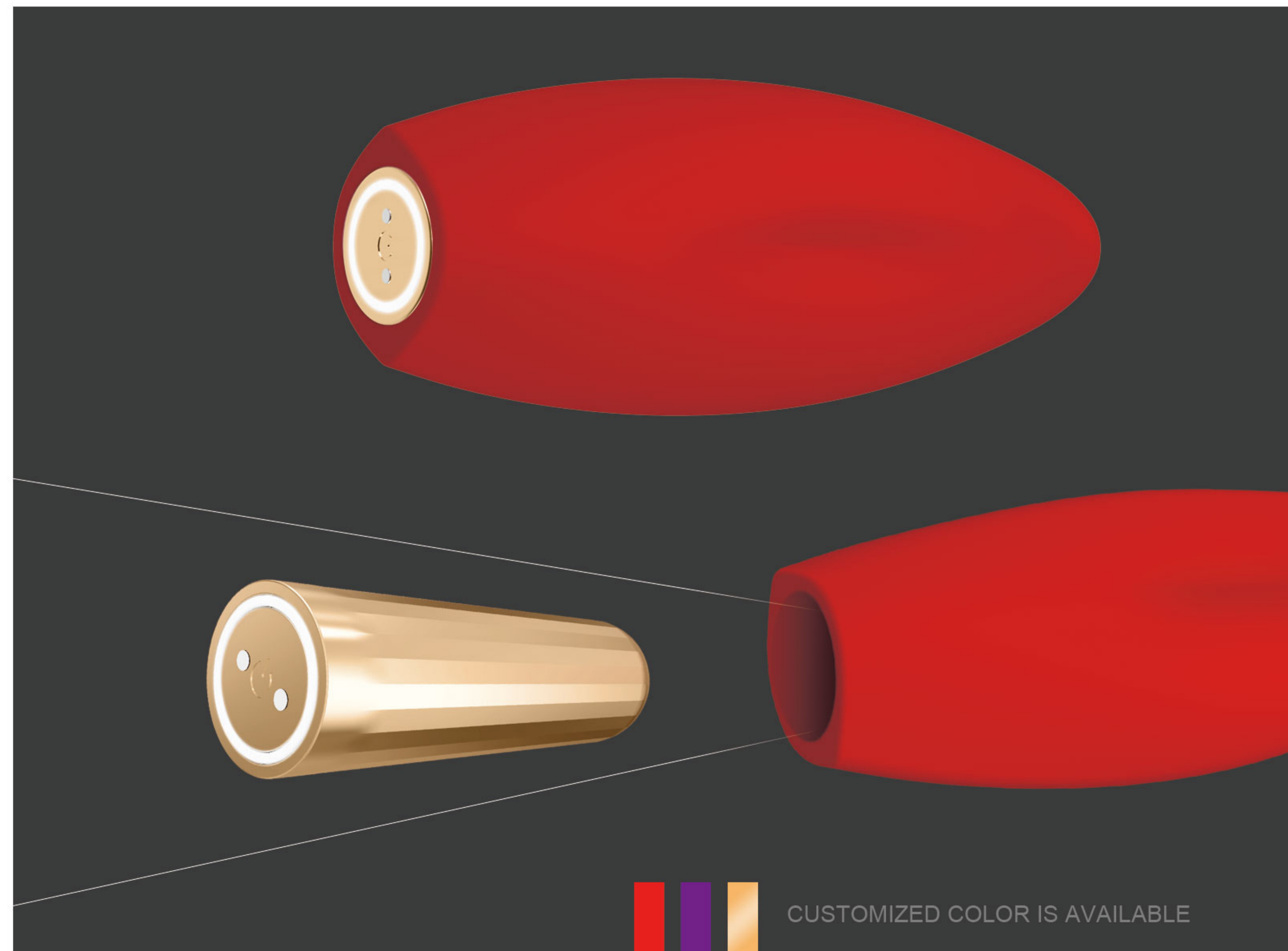
Material: Silicone , ABS
 Vibration mode: 7 types
 Working voltage: 3.7V
 Battery capacity: 180mAh
 Waterproof: IPX6
 Working noise: <60 dB
 Duration: > 60 minutes (under fully charged)



K0007 STIMURING

Specification

Material: Silicone , ABS
 Vibration mode: 7 types
 Working voltage: 3.7V
 Battery capacity: 180mAh
 Waterproof: IPX6
 Working noise: <60 dB
 Duration: > 60 minutes (under fully charged)

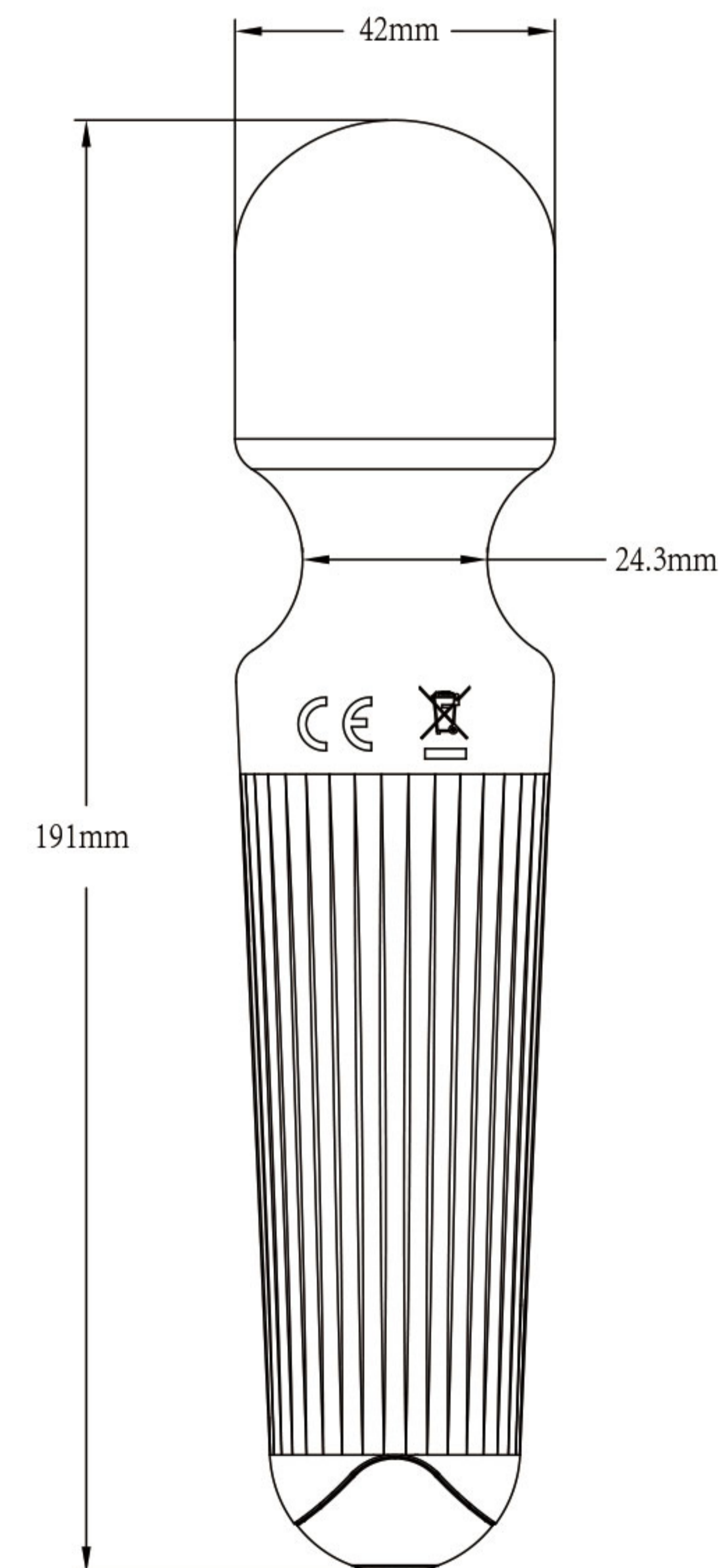




A0049 AURORA

Specification

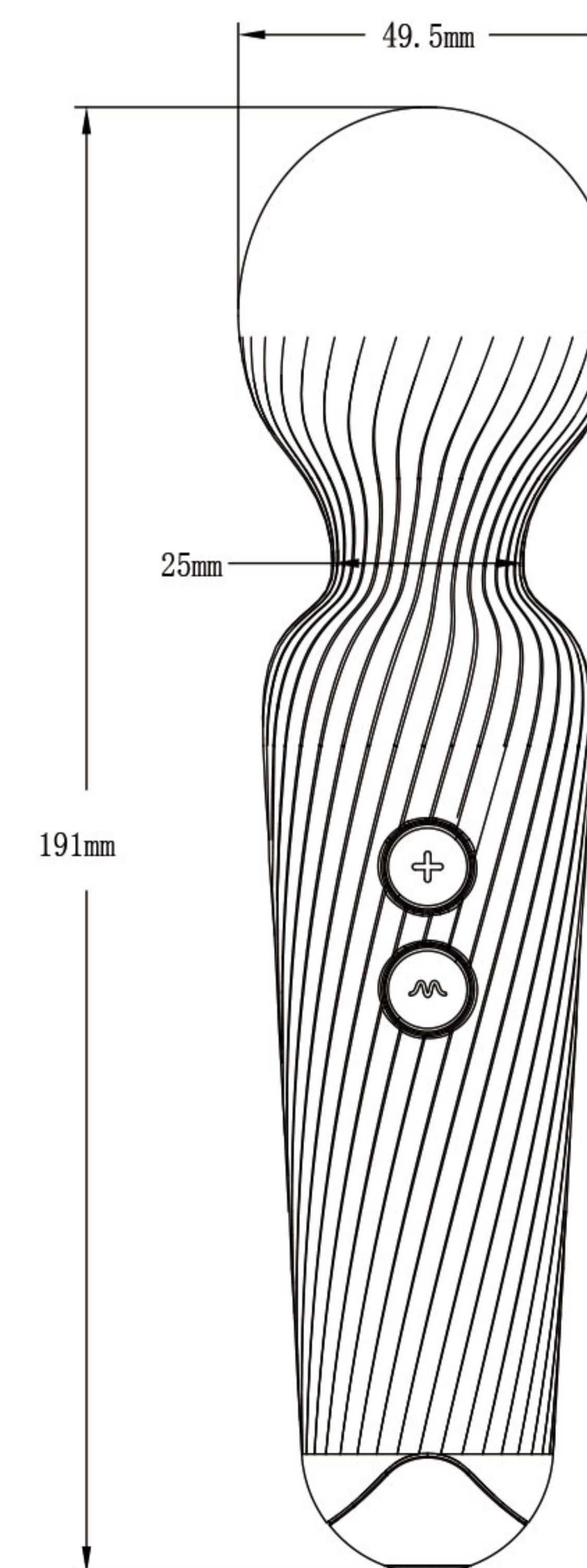
Material: silicone , ABS
Vibration mode: 7 types
Heating patterns: $35\pm 5^{\circ}\text{C}$ / $45\pm 5^{\circ}\text{C}$
Working voltage: 3.7V
Waterproof performance: IPX6
Working noise: <60 dB
Battery capacity: 720mAh
Duration: > 60 minutes(under full power)



A0050 LUCIA

Specification

Material: Silicone , ABS
Vibration mode: 6 types, 3 levels
Working voltage: 3.7V
Battery capacity: 300mAh
Waterproof: IPX6
Working noise: <60 dB
Duration: > 60 minutes(under fully charged)



A0056 FLORA

Specification

Materials: silicone , ABS

Product features: 2 heating levels,
7 Vibration modes,
3 sucking modes.

Heating patterns: $35\pm 5^{\circ}\text{C}$ / $45\pm 5^{\circ}\text{C}$

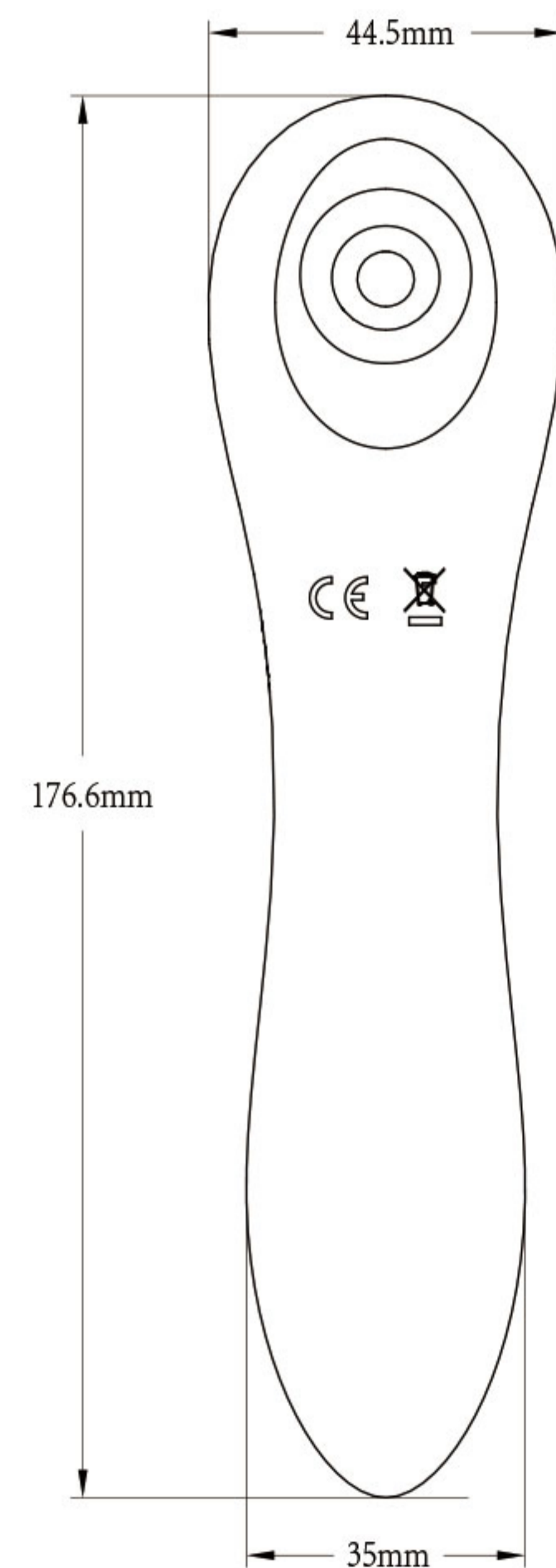
Waterproof: IPX6

Working voltage: 3.7V

Battery capacity: 500mAh

Noise: <60dB

Duration: >60minutes (under fully charged)



CUSTOMIZED COLOR IS AVAILABLE

B0005 PET

Specification

Materials: silicone , ABS

Product features: 2 heating levels,
4 rotating modes,
3 sucking modes.

Heating patterns: $35\pm 5^{\circ}\text{C}$ / $45\pm 5^{\circ}\text{C}$

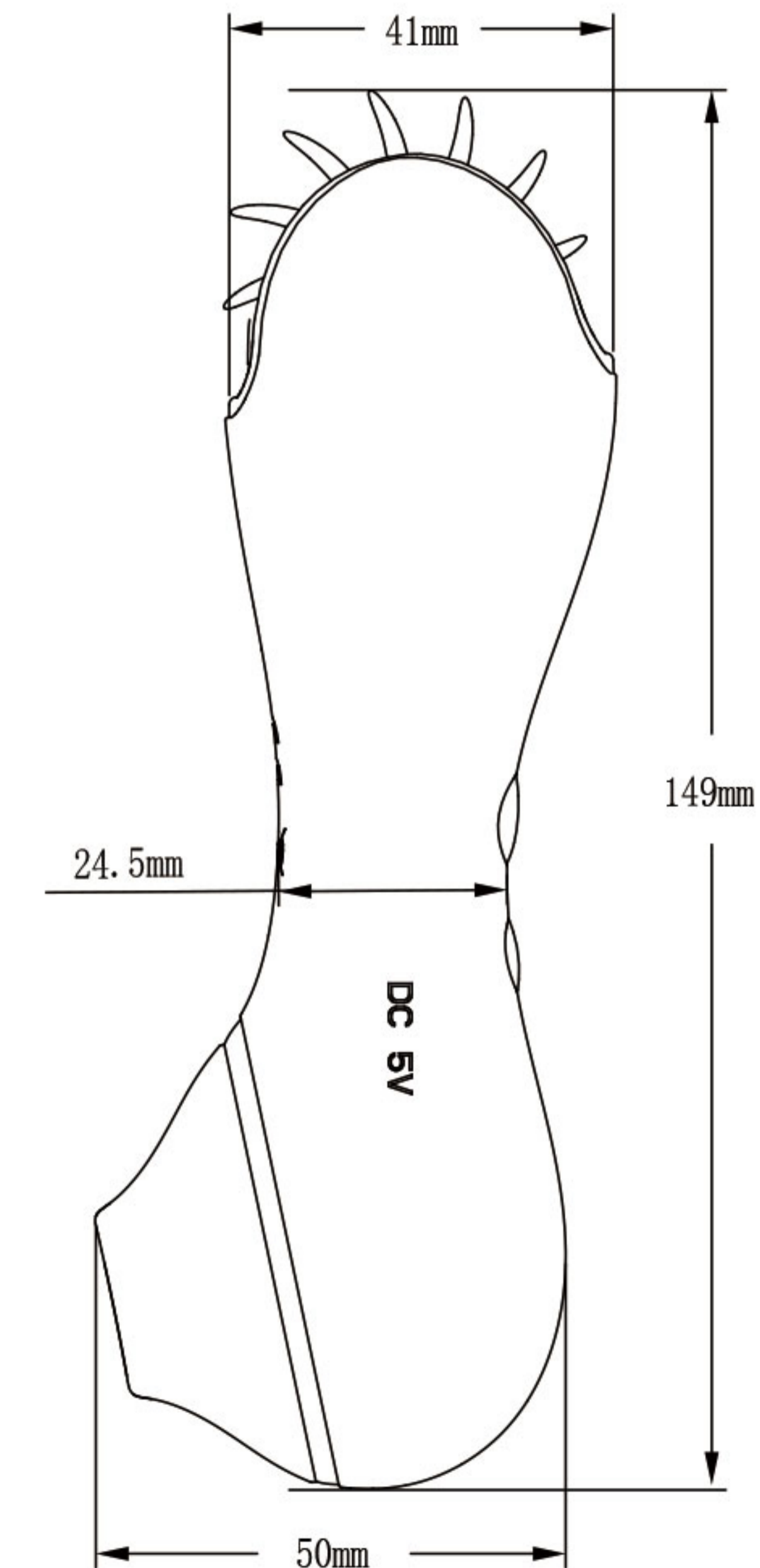
Waterproof: IPX6

Working voltage: 3.7V

Battery capacity: 500mAh

Noise: <60dB

Duration: >60minutes (under fully charged)

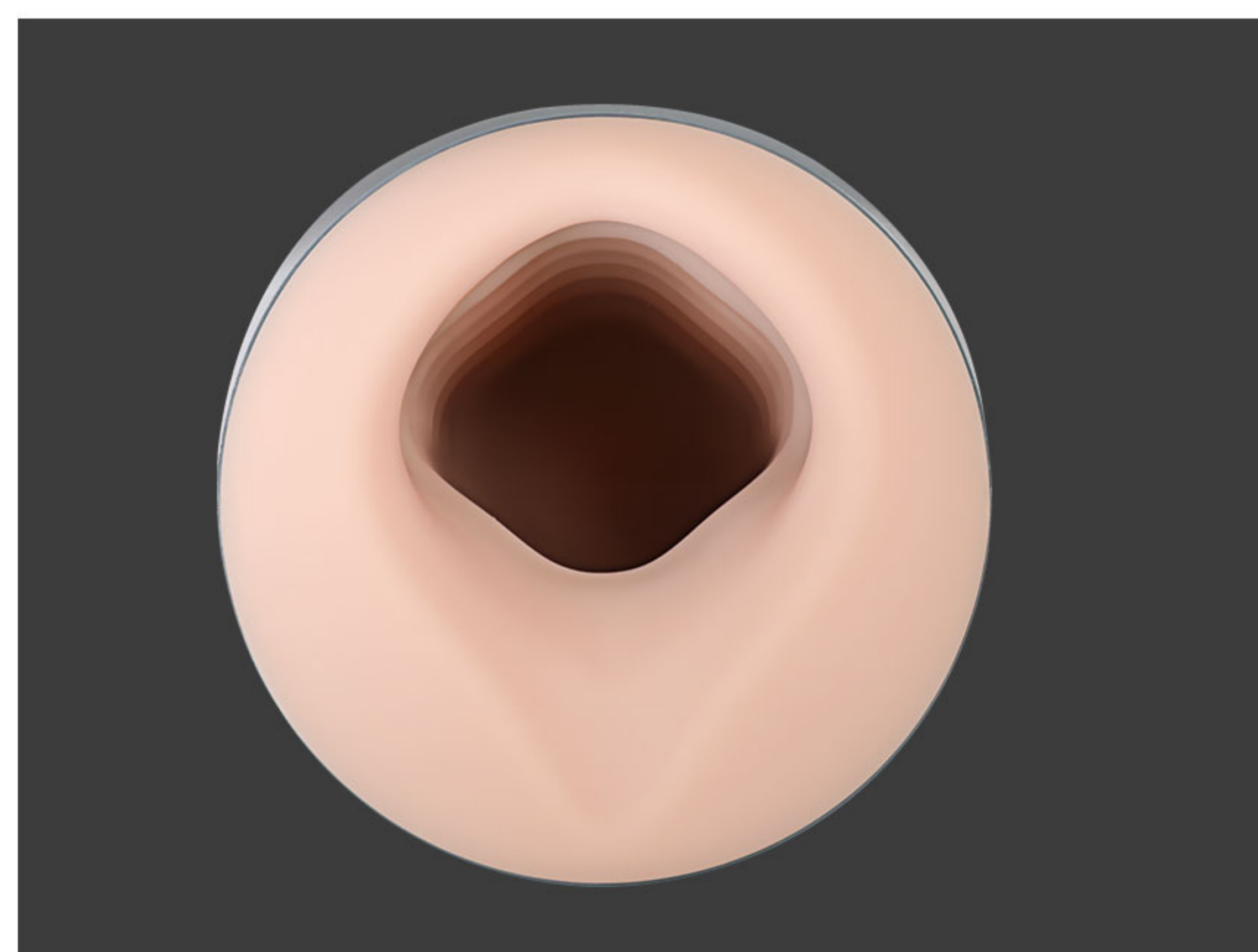
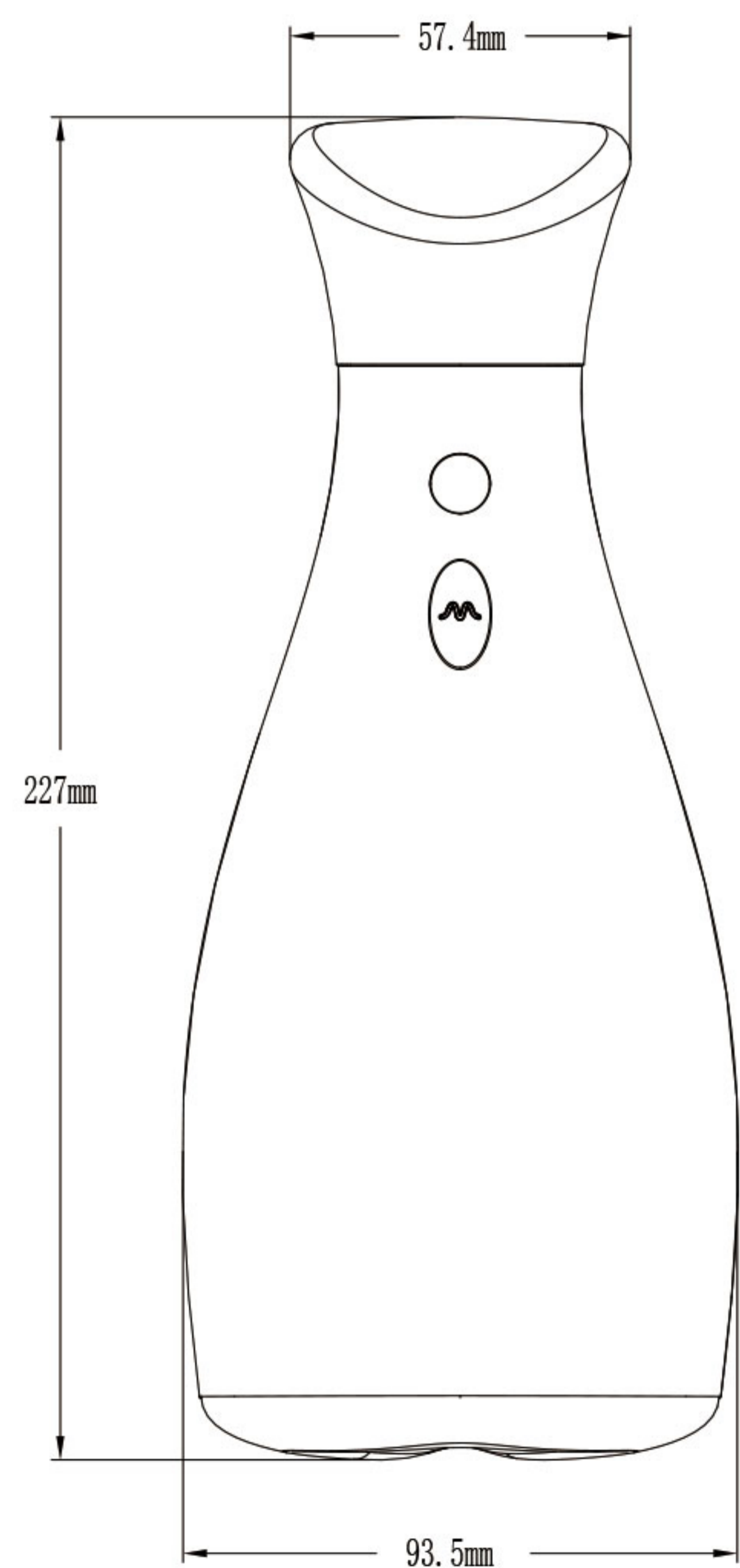


CUSTOMIZED COLOR IS AVAILABLE

C0011 NINJA2

Specification

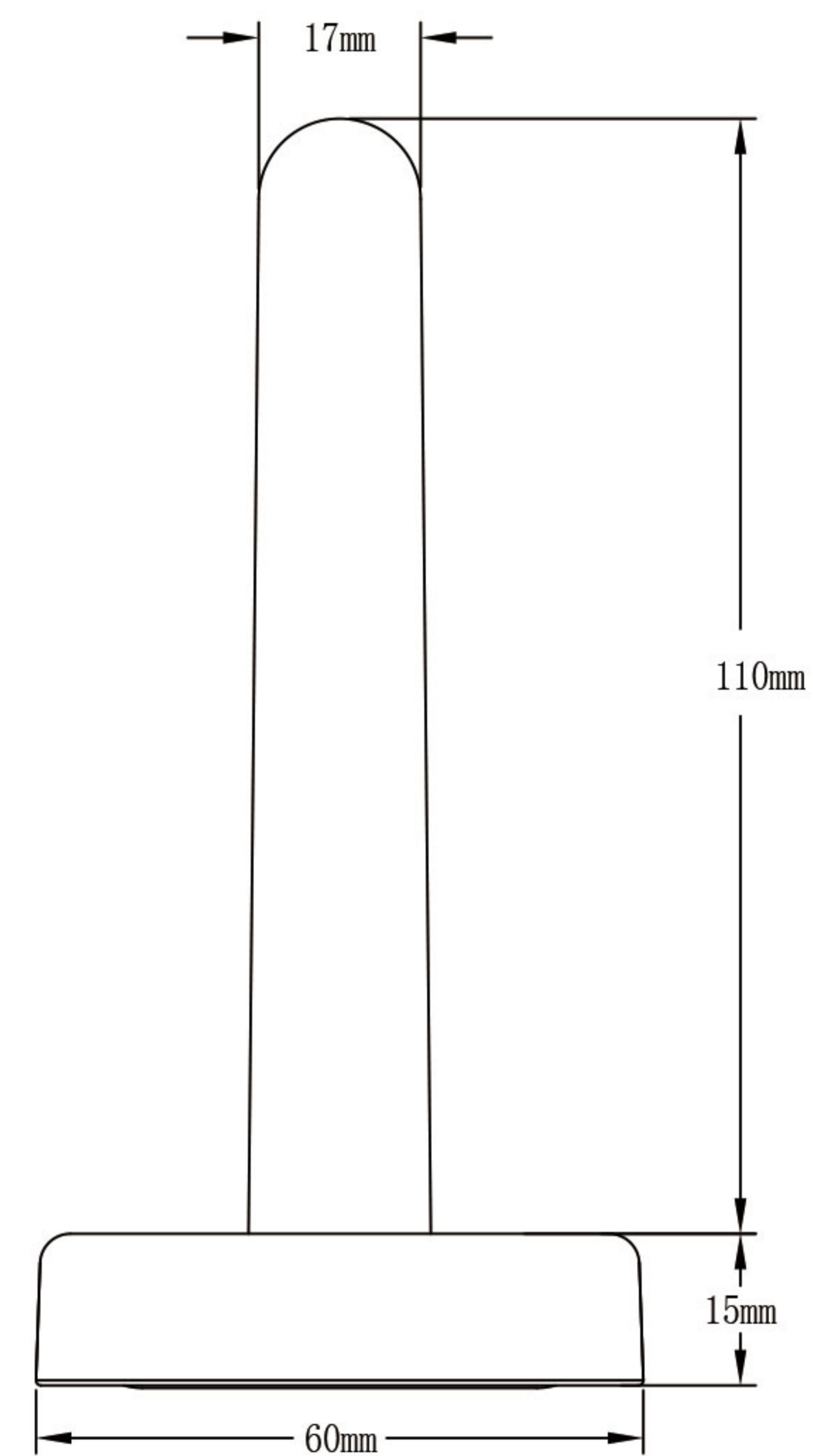
- Materials: silicone , ABS
- Vibration modes: 7 types
- Working voltage: 3.7V
- Charge Voltage: 5V
- Noise: <60dB
- Battery capacity: 300mAh
- Duration: >60minutes (under fully charged)
- Waterproof: The whole product is not waterproof

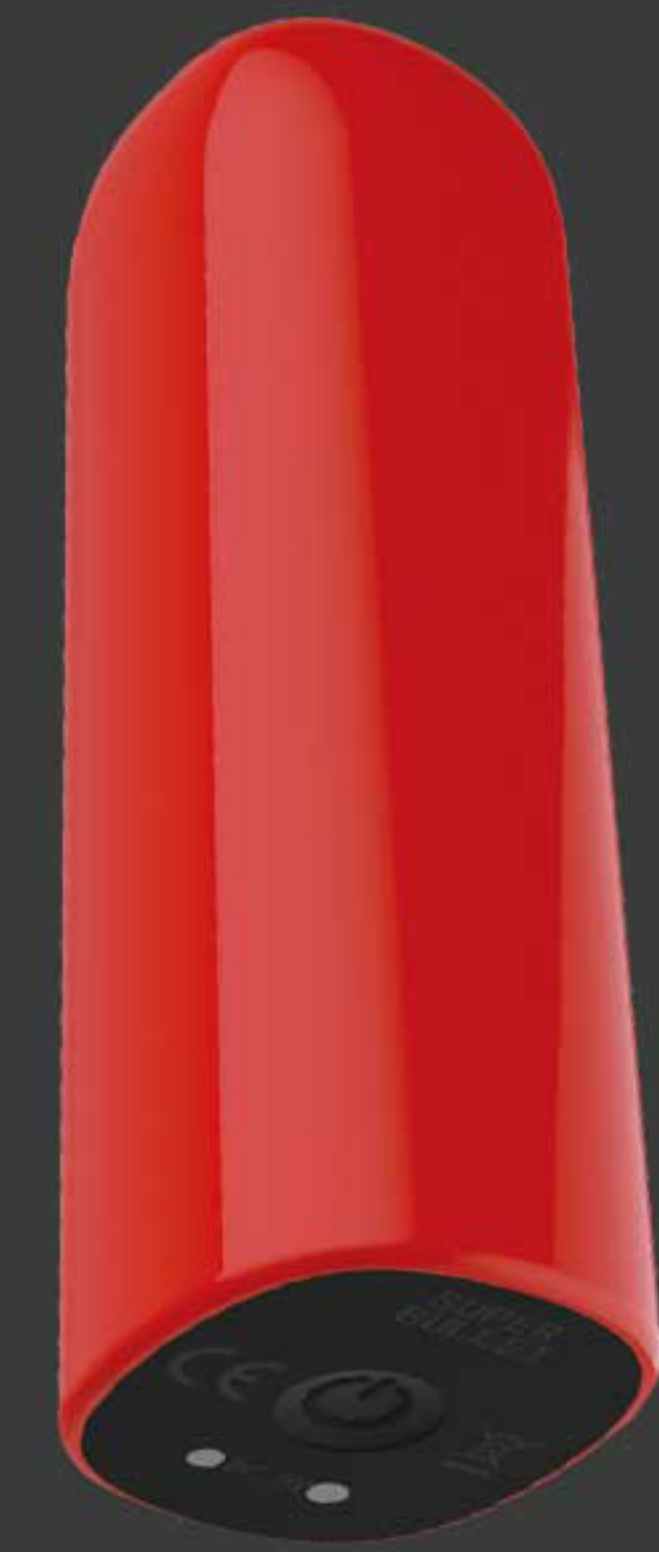


A0062 INTELLIGENT HEATING ROD

Specification

- Material:ABS
- Working voltage:5V
- Lamp: UV disinfection
- Waterproof: The whole product is not waterproof

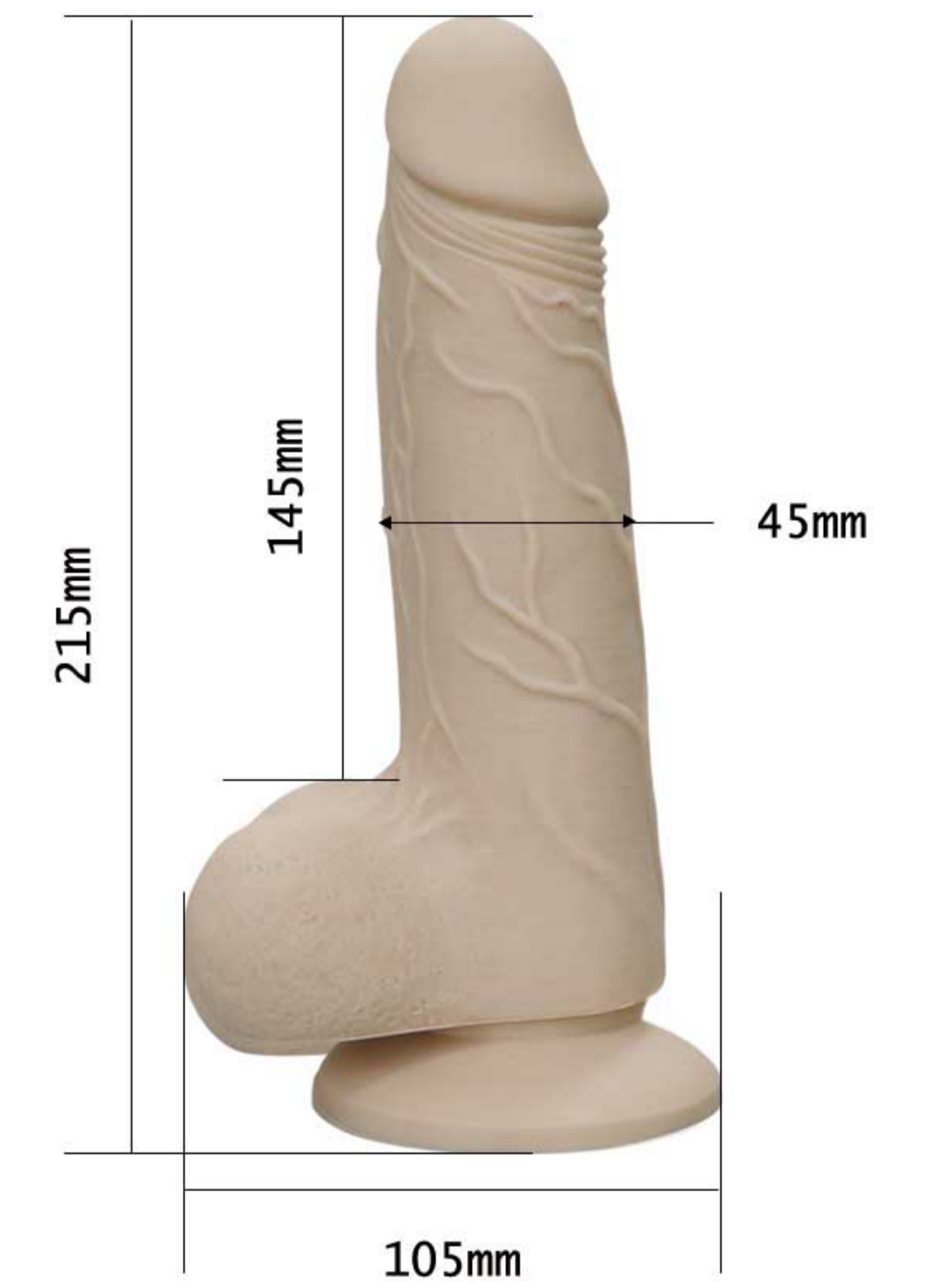




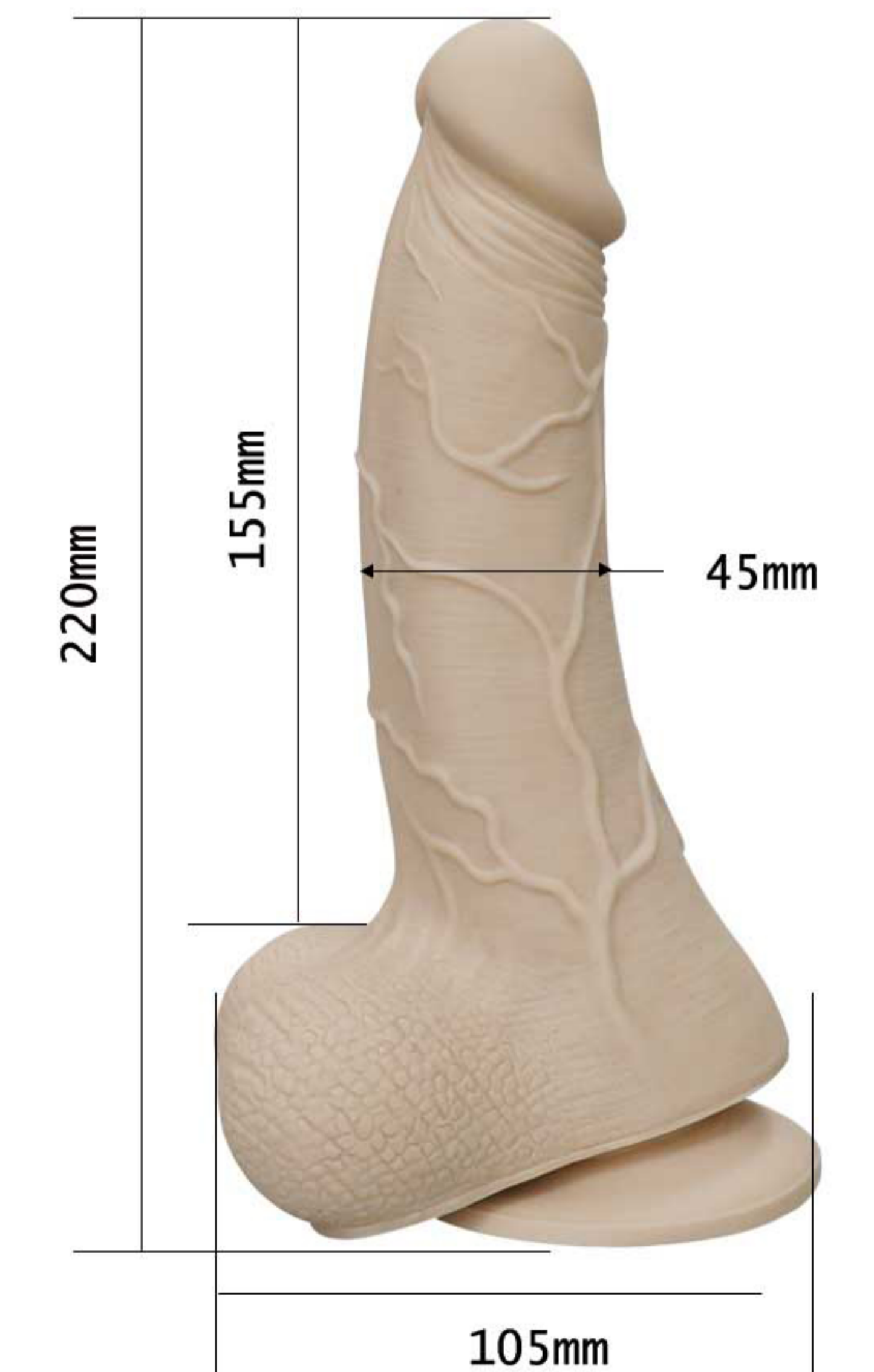
R0014



R0015



R0016



R0014/R0015/R0016

Specification

- Material: Silicone , ABS
- Vibration mode: 7 types
- Remote control battery: LR44/1.5V*2
- Vibrating bullet battery: 500mAh 3.7V lithium battery
- Waterproof: IPX7
- Working noise: <60 dB
- Duration: > 60 minutes (under fully charged)