

山东华泰保尔水务农业装备工程有限公司

地址: 济南市高新区科航路2009号
邮编: 250104
总机: 0531 - 62327060/1/2/3/4/5/6/7/8/9
销售: 0531 - 88671550 / 62327057
传真: 0531 - 88670056
E-mail: htbauer@htbauer.com sales@htbauer.com

Shandong H.T-BAUER Water and Agricultural Machinery & Engineering Co.,Ltd.
Address: No. 2009 Kehang Road, High-tech Zones, Jinan City, China
Post Code: 250104
Tel: +86-531-88671550 / 62327057
Fax: +86-531-88670056
E-mail: htbauer@htbauer.com sales@htbauer.com

ONEAQUA 北京

地址: 北京东城区新中街68号聚龙花园8号楼508室
邮编: 100027
电话: 010 - 65521130 / 65521134
传真: 010 - 65521128
E-mail: tianhong@sinobauer.com

ONEAQUA Beijing
Address: Room 508, Building 8, Julong Garden, No. 68 Xinzhong Street, Beijing City, China
Post Code: 100027
Tel: +86-10-65521130 / 65521134
Fax: +86-10-65521128
E-mail: tianhong@sinobauer.com

ONEAQUA 新疆

地址: 乌鲁木齐市东风路138号聚天大厦15楼M座
邮编: 830002
电话: 0991 - 2306777 / 2306767
传真: 0991 - 2308778
E-mail: bauer@mail.xj.cninfo.net

ONEAQUA Xinjiang
Address: Jutian mansion 15M, No. 138 Dongfeng Road, Urumqi City, China
Post Code: 830002
Tel: +86-991-2306777 / 2306767
Fax: +86-991-2308778
E-mail: bauer@mail.xj.cninfo.net

Hi-tech Turbine Driving our Dream
Trust & Reliance Lasting for Generations
科技涡轮驱动梦想 百年信誉薪火相传
www.htbauer.com / www.oneaqua.com



山东华泰保尔水务农业装备工程有限公司

Shandong H.T-BAUER Water and Agricultural Machinery & Engineering Co.,Ltd.

Company



山东华泰保尔水务农业装备工程有限公司是由济南高新控股有限公司、山东省防汛抗旱物资储备中心与奥地利保尔灌溉及泵业工程公司、迪拜SINO控股公司（奥地利投资人100% 股权企业）合资兴建的科技创新型生产企业，致力于为节水灌溉、现代农业和农村饮用水处理提供最先进的技术和设备。

合资公司中方股东均为国有全资子公司，以多年的专业经验和对行业潜在的影响力体现了政府的支持。外方主要股东奥地利保尔灌溉及泵业工程公司是世界上最大的生产农业灌溉机械和相关设备的著名企业之一，在生产灌溉设备及实施农业项目上拥有丰富的经验，在世界范围内享有很高的声誉。

华泰保尔充分吸收国外的先进技术和管理经验，不懈追求技术创新，以严谨的工作态度，确保产品的更高质量；充分利用我国的资源和人才优势，降低产品的成本，从而实现资源的最优化配置。华泰保尔不仅仅是制造国际顶级质量标准的产品，而是以新的科技和理念为我们和我们的孩子成就一个清洁绿色的世界。

相信我们，相信绿色的未来。

SHANDONG H.T-BAUER WATER AND AGRICULTURAL MACHINERY & ENGINEERING CO., LTD. is a Sino-foreign joint venture specializing in advanced technology and equipment for irrigation, modern agriculture and rural potable water purification, co-founded by:

- Jinan High-tech State-owned Capital Co., Ltd.
- Shandong Provincial Reserve Center of Flood Control and Drought Relief Supplies
- Roehren –und Pumpenwerk BAUER Gesellschaft M.B.H.
- Sino Holding Ltd. (100% owned by an Austrian Investor)

With government support, all Chinese shareholders as state-owned subsidiaries present top technology, rich experiences and potential influences in the industry of irrigation. The main foreign shareholder, Roehren –und Pumpenwerk BAUER Gesellschaft M.B.H., is one of the largest and most well-known enterprises of irrigation machinery around the world, owning vast experiences and enjoying good reputation.

To ensure higher quality of products, H.T-BAUER has made unremitting efforts in fully absorbing foreign advanced technology and management, pursuing technological innovation, with rigorous work attitude; to achieve optimal allocation of resources, we make full use of China's advantages in resources and personnel and reduce product costs. The goal of H.T-BAUER is not only to produce products of top quality, but also to create a clean green world with new technology and ideas for us and our children.

Be Trusted and Trust Future in Green.

节水灌溉设备

全套引进奥地利保尔的先进技术和管理经验，重点生产卷盘式喷灌机，以及指针式、平移式大型喷灌机和滴灌产品。先进的技术优势、严格的质控体系、丰富的产品系列，实现显著的节水增产效果，引领中国的节水灌溉事业快速步入世界先进行列。

Water-saving irrigation system

By introducing whole set of advanced technology and managerial experiences from BAUER, we focus on manufacturing hose reel irrigators, center pivot irrigation systems, linear irrigation systems and drip irrigation systems. By means of advancement in technology, strict quality control mechanism, full categories of products, we have made great achievement in saving water and increasing yields and we lead the water-saving irrigation industry of China into the first rank of the world.

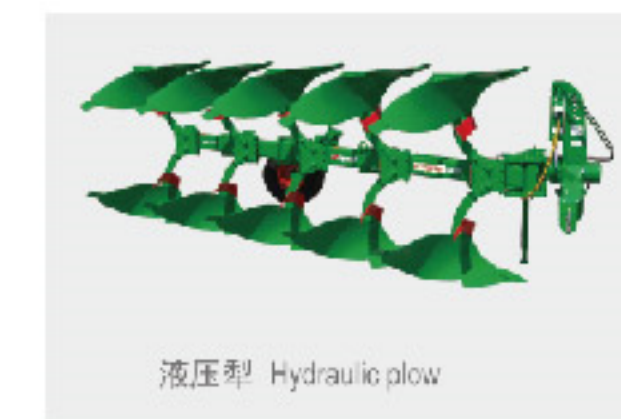


农田耕作设备

奥地利REGENT（瑞耕）农业机械有限公司是奥地利著名农田耕作设备供应商，成立于1925年。主要产品：翻转犁、动力耙、联合整地机、播种机。

Farming equipment

As a famous supplier of field husbandry equipment in Austria, REGENT Agricultural Machinery Co., Ltd. was established in 1925. Main products: reversible plow; powered harrow; combined cultivator; planter.



液压犁 Hydraulic plow



动力耙 Powered harrow



圆盘式联合整地机
Disc type combined cultivator



播种机 Planter

污粪处理设备

奥地利KIRCHNER（吉勒）公司成立于1941年，KIRCHNER公司主要面对大型农场推出的有机肥处理还田设备，在欧洲享有盛誉。主要产品：液体施肥罐车、泥浆搅拌机、泥浆泵、固液分离机、固体撒肥车、秸秆粉碎机。

Manure treatment equipment

Since the establishment in 1941 KIRCHNER has enjoyed a great reputation in manufacturing manure equipment for large farms in Europe. Main products: liquid fertilizer vehicle; slurry agitator; slurry pump; solid-liquid separator; solid fertilizer spreader; straws pulverizer, etc.



2000年5月

华泰保尔在济南高新技术开发区正式成立。

May 2000

H.T-BAUER was officially established in High-tech Zone, Jinan City.



2001年10月

第一台“雨星”卷盘式喷灌机下线，经检测，其性能品质完全达到奥地利保尔原装水平。从此公司进行批量生产，并在国外专家的监控下实行严格的质量管理体系。

Oct. 2001

The first new model "Aquajet" hose reel irrigator was completed from the production line. As the tests shown, it matched its function and quality control with the same level of BAUER's original model. Mass production for Aquajet series began under strict quality management system and supervision of overseas experts.



2002年

华泰保尔生产的“雨星”喷灌机迅速推向全国各地并以其卓越性价比收到用户的好评。

2002

Aquajet hose reel irrigators of H.T-BAUER were distributed to every corner of China.

2003年

具有自主知识产权的“欧润”喷灌机研发完成，以其轻巧、低耗能、全自动、易操作的优势受到国内外喷灌专家的肯定，在国内热销的同时成功打入国际市场，批量出口至欧洲和美国，实现了国内灌溉设备生产企业突破性飞跃。

2003

Through independent research & patent, H.T-BAUER created Aquago hose reel irrigator, featured by compact size, low energy consumption, automatic control and easy operation, which became popular in China and started mass export to the international market.



2004年

华泰保尔成为奥地利保尔公司大型指针式喷灌机主管路的A级供应商，加工能力达到国际一流水平，产品源源不断地发送到世界各地。

2004

H.T-BAUER became A-class supplier of center pivot system's main pipe of BAUER. At the moment, H.T-BAUER's process capacity reached world-class level, and the products were delivered all over the world.

Development 发展历程

2005年

华泰保尔通过技术经验的积累，与多方著名技术机构合作，开始研制更新的灌溉产品。公司被认定为“国家高新技术企业”，承担国家多项相关科研项目。

2005

Technology and experience accumulation promoted H.T-BAUER to further investigation, research associated with institutes for National Projects of Irrigation in award of "National High-tech Enterprise".

2007年

华泰保尔的产品已经遍布全国27个省、直辖市、自治区，与此同时，华泰保尔的产品成功打入国际市场，先后出口至美国、澳大利亚、荷兰、印度、乌克兰、蒙古、波兰、古巴、秘鲁、南非等几十个国家和地区。

2007

H.T-BAUER's products spread all over China and a dozen of countries and areas including USA, Australia, Holland, India, Ukraine, Mongolia, Poland, Cuba, Peru, South Africa and so on.



2010年-2012年

2010年，华泰保尔成立10周年，扩大厂区面积5万平米，增加建设、装备、技术研发投入1000万欧元。

2010-2012

On the occasion of the 10th anniversary of H.T-BAUER's establishment in 2010 the total area of the factory is enlarged by 50000 m², and over 10000000 euro capitals have been invested in construction, equipment and technical research and development.



2012年

新厂区投入使用，配套设备试验基地25000m²。

2012

The second factory came into use, with an additional surface of field testing of 25000m².



2015-2017年

2015年，联合欧洲顶级设计团队研发新一代喷灌机，采用新式高效节能水涡轮，智能化自动控制，优化的机械结构，使整机性能提升20%。

2017年，Aquajet II 和Aquago II 系列升级换代产品问世。

2015-2017

In 2015, the new generation of hose reel irrigator is co-developed by European design team, featured by high-efficiency, energy-saving turbine, intelligent automatic control frame, advanced mechanical structure and increased performance by 20%.

In 2017, the upgraded Aquajet II and Aquago II series products come into being.



Aquajet II

10年潜心研发 呈现世界水涡轮尖端科技



Aquajet II 系列喷灌机

Aquajet II 系列喷灌机是由山东华泰保尔水务农业装备工程有限公司出资，联合欧洲顶级喷灌机设计团队联合研发的全新一代卷盘式喷灌机，与上一代卷盘式喷灌机相比：

- ◎ 新式的水涡轮和变速箱高效节能，配合优化的机械结构，使得整机性能提升20%。
- ◎ 选配智能化自动控制功能，精准灌溉，灌溉均匀度更高。
- ◎ 整机平均使用寿命在15年以上，PE管寿命10年以上。
- ◎ Aquajet II 系列喷灌机由65、75、85、90四种型号组成完整系列，流量25-85m³/h，灌溉PE管径65-110mm，敷设长度200-450米，单机控制面积200-400亩。

Aquajet II Series Hose Reel Irrigator

Aquajet II Series Hose Reel Irrigator is contributed by SAHNDONG H.T-BAUER WATER AND AGRICULTURAL MACHINERY AND ENGINEERING CO., LTD. and co-developed by Chinese technicians and the supreme European design team. New hose reel irrigator has the following advantages:

- Newly designed turbine and gearbox are more efficient and more energy-saving; coupled with optimized mechanical structure; the total performance is increased by 20%.
- Equip with intelligent automatic control system, precisely measuring the retraction speed.
- The whole machine can be used for over 15 years; the service life of PE pipe is more than 10 years.
- Aquajet II Series Hose Reel Irrigator is a complete series of 65, 75, 85 and 90 models. The water flow ranges from 25 to 85 m³/h. The diameter of the PE pipe is between 65 and 110 mm. The length of PE pipe is 200 to 450 meters and the coverage area per set is about 15 to 30 hectares.



新型高效水涡轮TW20

TW20水涡轮是一种新型高效节能的轴流式水涡轮，以其非同寻常的低压力损耗，再次开创喷灌机节省驱动消耗的新标准。

- ◎ 新结构比上一代水涡轮效率提升近一倍，极大地降低了运行损耗。
- ◎ 在水流量较低的情况下，也可以保证强劲的回缩动力和高回收速度。
- ◎ 精确地集成控制系统，保证喷灌范围内降水的均匀。

New type and high efficient turbine TW 20

The axial-flow type TW20 turbine sets a new record of low energy consumption of hose reel irrigator with its extraordinarily low pressure demand.

- The newly designed turbine is twice as efficient as that of last generation. The energy consumed for operation is greatly decreased.
- The power and speed of retraction can be guaranteed when the water flow is insufficient.
- Precisely control the whole system to ensure evenness of the irrigation.



数字液晶人机交流

- ◎ Aquajet II 系列喷灌机全新更换了新式速度计。
- ◎ 7寸高亮液晶屏，友好的交互界面，设备运行状态一目了然。
- ◎ 通过输入灌溉量，可试算回收速度、入机压力等。

Digital LCD communicator

- Aquajet II Series Hose Reel Irrigator is equipped with a new type speedometer.
- 7 inch LCD screen, easy-handle interactive interface, clear show of the equipment operation.
- Precisely measure the retraction speed and inlet pressure.

喷洒系统

◎ 悬臂型桁架采用优质结构钢管焊接制成，各段之间采用快速接头连接，安装拆卸简单方便。桁架长度26m，喷洒宽度为34m，配备#11-#19雨鸟喷头，实现出色的雾化效果和喷洒均匀度，适用于灌溉娇嫩的农作物，不损害土壤和庄稼。

◎ 配备KOMET公司生产的Twin SR101/140喷枪。喷射距离远，喷射角度和喷嘴大小选择范围大，可实现完全自动平稳的旋转喷射，无需人工干预。喷洒距离可达35~50米。

Spraying system

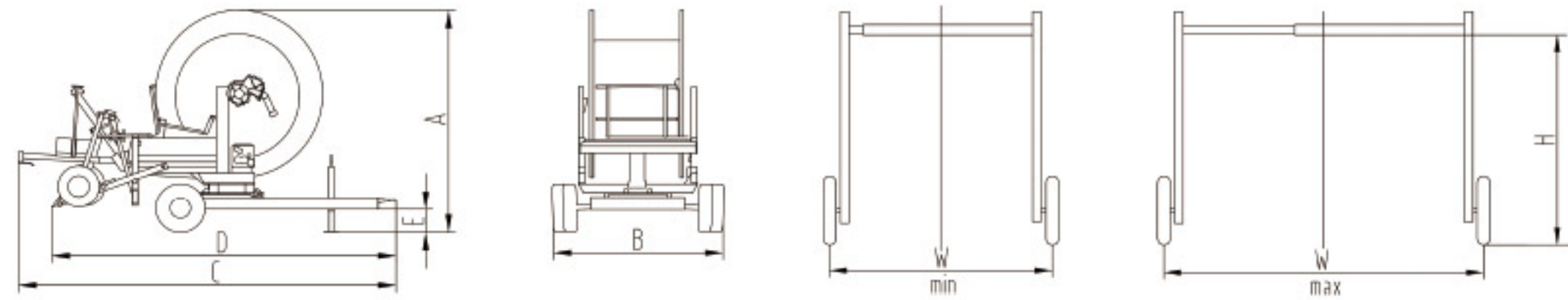
- The booms are made of high-quality structural steel and connected with quick connectors, easy to assemble and dismount. The total length of booms is 26 meters, with the sprinkling width reaching 34 meters. The equipped #11 to #19 Rain Bird nozzles perform excellent in misting and distribution evenness. The booms are applicable to tender plants with no harm to the soil and the field.
- The Twin SR101/140 sprinkler made by KOMET can spray very far, with large spraying angle and different sizes of the nozzles. It can rotate automatically and steadily. The distance of sprinkling reaches 35 to 50 meters.



Aquajet II

工作性能表 Performance table

主机 Basic unit	PE管直径 PE-pipe dia. (mm)	最大控制带长 Max.strip length (m)	流量 Flow rate (m ³ /h)	连接压力 Connection pressure (MPa)	喷嘴直径 Nozzle range (mm)	PE管长度 PE-pipe length (m)
65TW	65	2x(260-339)	17-30.7	0.49-0.91	16-20	220/260/300
	75	2x244	24.9-41.4	0.51-0.84	18-24	200
75TW	65	2x(387-407)	15.5-26.6	0.52-0.92	16-20	350/370
	75	2x(323-370)	21.5-38.3	0.49-0.91	18-24	280/300/330
	85	2x(249-267)	37.2-56.3	0.53-0.88	22-28	200/220
85TW	75	2x(420-508)	19.7-32.2	0.52-0.93	16-22	380/420/450/470
	85	2x(347-375)	37.2-52.1	0.59-0.88	22-28	300/330
	90	2x(329-369)	32.2-56.3	0.48-0.92	22-28	280/300/320



设备尺寸 Machine dimensions (mm)

主机 Basic unit	A 高度 Height	B 宽度 Width	C 有牵引杆长度 Length with draw bar	D 无牵引杆长度 Length w/o draw bar	E 离地高度 Clearance	轮胎 Tyres	轮胎尺寸 Tyre dimensions
65TW	2450	1500	4350	4000	290	185/70 R13	590x185
75TW	2580	1850-2050	4920	4600	280	7.00-12	680x180
85TW	2900	1900-2130	5030	4570	270	10/80-12	710x254

行车尺寸 Cart dimensions (mm)

主机 Basic unit	W 宽度 Track width	H 高度 Height	轮胎尺寸 Tyre dimensions
65TW	1500-3500	1150	550x90
75TW	1500-3500	1150	550x90
85TW	1500-3500	1150	550x90

Aquago II



Aquago II 系列喷灌机

Aquago II 系列喷灌机是由山东华泰保尔水务农业装备工程有限公司欧洲研发团队为中国灌溉实践应用专项研发的全新一代小型喷灌机，为中小型地块的喷灌需求，提供了更大的选择空间。

- ◎ Aquago II 系列喷灌机由50/55/60三种型号组成完整系列，流量6.8-21m³/h，入机压力0.25-0.74MPa，PE管径φ50-60mm，敷设长度120-170米，单机控制面积132-390亩。
- ◎ 采用了新型水涡轮，与上一代Aquago 产品相比，提高效率10%。
- ◎ 轻便的喷水行车，可人力拖拽。
- ◎ 新型速度计可实时显示PE管的回收速度。
- ◎ 整机使用寿命在15年以上。

Aquago II Series Hose Reel Irrigator

The brand new model Aquago II Series Hose Reel Irrigator is developed by European research team exclusively on the basis of meeting irrigation demands in China, which allows the users to irrigate when it is needed for a minimum of investment costs and enlarges the space for selection.

- Aquago II Series Hose Reel Irrigator is composed of 50/55/60 three models. The water flow ranges from 6.8 to 21 m³/h, the inlet pressure from 0.25 to 0.47 MPa, PE pipe diameter from 50 to 60 mm, the length from 120 to 170 m. It irrigates 8 to 26 hectares per set.
- Newly designed turbine increases the performance by 10%.
- Easy handling and convenient transport.
- Newly designed speedometer shows the retraction speed of PE pipe.
- Service life is over 15 years.

Aquago II

新型水涡轮TZ20

由我公司自主研发的新型的节能轴流式水涡轮，已获得国家实用新型专利。

◎ 具有线性调速功能，可实现精准灌溉。

◎ 通过联轴器与变速箱直连，代替了原有Aquago产品的皮带传动，机械损耗降低5%。

New type turbine TZ 20

Our company has gained national patent for utility models for the new energy-saving axial-flow type turbine.

● High efficiency and precise control of irrigation.

● The turbine is connected directly with gearbox by a coupling instead of original belt. The mechanical loss is reduced by 5%.



新式连杆调速机构

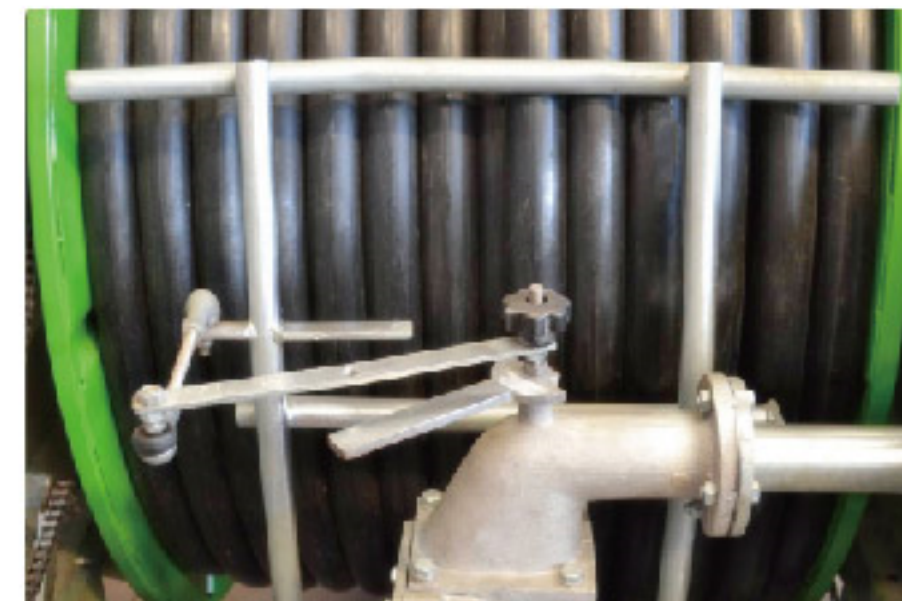
◎ 结构简单，操作方便。

◎ 保证了PE管匀速回收，有效提高了灌溉均匀度。

New speed regulating mechanism

● Simple in structure and convenient in handling;

● Constant retraction speed and increased irrigation uniformity.



新型锚桩结构

◎ 精巧的连杆结构，操作更加安全便捷。

◎ 选用优质高强度结构钢，采用热镀锌处理工艺，提高了锚桩使用寿命。

Rugged support frame

● Compact in structure and safe and convenient in handling.

● Good steel of high intensity, hot-dip galvanization, long service life.



喷枪

采用了意大利SIME进口喷枪，工作压力0.2-0.4MPa，射程20-30米，雾化效果与灌溉均匀度更为出色。

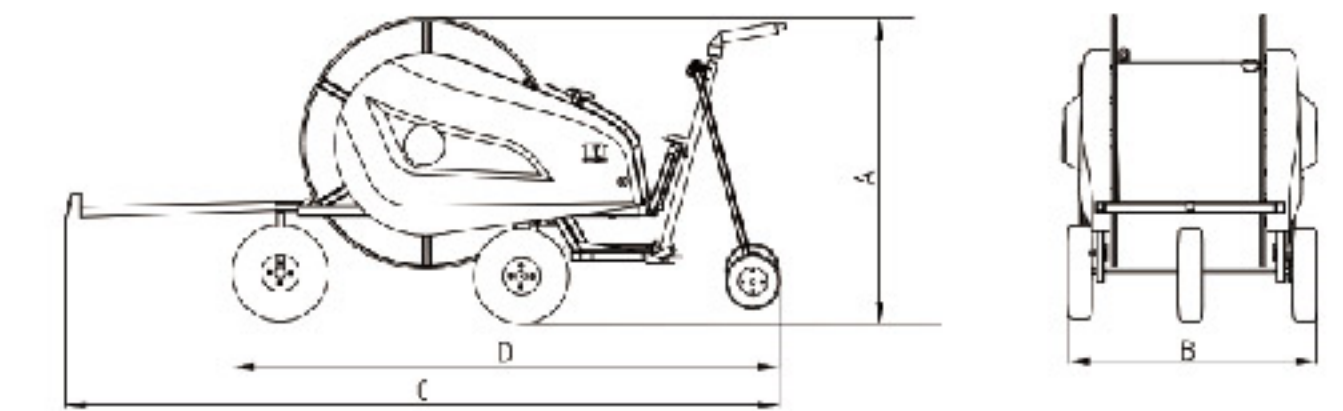
Sprinkler

Imported Italy SIME sprinkler; working pressure 0.2-0.4MPa; sprinkling distance 20-30 meters; better performance in misting and irrigation uniformity.



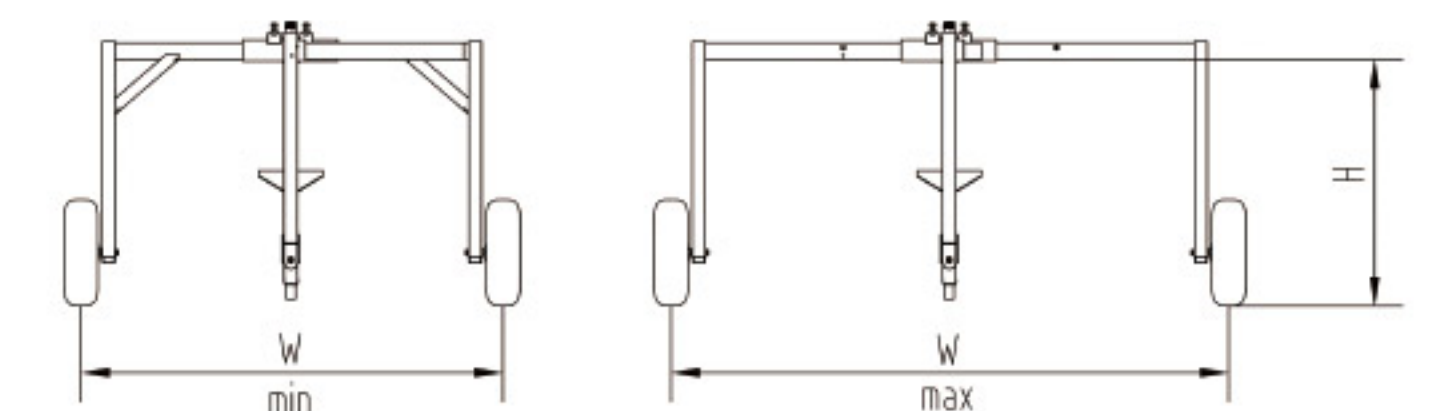
工作性能表 Performance table

机型 Model	PE管直径 PE-pipe dia. (mm)	最大控制带长 Max. strip length (m)	流量 Flow rate (m ³ /h)	连接压力 Connection pressure (MPa)	喷嘴直径 Nozzle range (mm)	PE管长度 PE-pipe Length (m)
Aquago II	50	2x195	6.8-13.1	0.31-0.73	10-14	170
	55	2x176	9.1-18.2	0.30-0.73	12-16	150
	60	2x147	9.1-21.0	0.25-0.74	12-16	120



设备尺寸 Machine dimensions (mm)

主机 Basic unit	A 高度 Height	B 宽度 Width	C 有牵引杆长度 Length with cart	D 无牵引杆长度 Length w/o cart	轮胎尺寸 (直径×宽度) Tires dia.	轮距 Track width
Aquago II 50/55/60	1520	1277	3600	2630	470×140	1085



行车尺寸 Cart dimensions (mm)

主机 Basic unit	W 宽度 Track width	H 高度 Height	轮胎尺寸 Tyre dimensions
Aquago II 50/55/60	1200-1800	1080	250x70

设备最大质量 Machine maximum weight (kg)

机型 Model	不含水最大质量 Machine w/o water	含水最大质量 Machine with water
Aquago II 50/55/60	1200-1800	1080

Aquajet



Aquajet系列卷盘式喷灌机

由水涡轮驱动的移动式喷灌设备，灌溉过程完全自动化。其主要部件如水涡轮，速度补偿系统，喷水桁架平衡系统等均保留有国际专利，并且不断更新。它实现了：

- ◎ 从65系列到85系列大范围的设备选型。
- ◎ 最精确的灌溉，最低的能耗，灌溉均匀度高。
- ◎ 整机的平均使用寿命在15年以上，PE管寿命10年以上。
- ◎ 安装简便，操作简单，使用安全。
- ◎ 高效节水，节水量达到75%以上，增加农作物产量。

Aquajet series hose reel irrigator

Aquajet series are turbine-driven machines designed for fully mechanized and labor-saving irrigation. The main component parts such as turbine, automatic layering mechanism and crop-protecting sprinkler balancing mechanism enjoy the international patents and keep being updated. Aquajet provides the following additional features:

- Wide range of model selection from 65 series to 85 series.
- The most precise irrigation, the remarkable energy saving and 100% well-distributed water jet.
- 15 years of service life for the basic unit and ten years' service life for PE pipe.
- Simple assembling, easy handling and safe operation.
- Efficient water saving, the water-saving rate can be over 75%.



喷枪型

超远的射程，完美的灌溉均匀度，Aquajet 喷枪型以最简洁的方式进行各种高低杆作物的灌溉。

Sprinkler model

Aquajet with sprinkler can irrigate far distance with perfect irrigation evenness. A variety of high and low crops can be irrigated easily by the sprinkler model. The strip width is up to 90 meters.



悬臂型

低压灌溉娇嫩的农作物，不损害土壤和庄稼，控制带宽可达34米。

Boom model

Aquajet with boom applies a gentle spray on delicate crops without damaging the soil and the crops. The strip width is up to 34 meters.



自动升举的喷水行车

当灌溉完成时，喷水行车将自动被升举到运输位置，无需任何其他操作。

Automatic cart lift

At the end of the strip, the cart is automatically lifted to its transport position and the Aquajet is ready for transport without any extra cart handling requirements.



TWIN大喷枪

TWIN SR101大喷枪专为现代节水灌溉而设计，其射程、喷洒均匀性以及雾化指标等均在世界范围内处于领先水平。

TWIN high-range sprinkler

TWIN SR101 high-range sprinkler is designed specially for modern water-saving irrigation management. Its indices as sprinkling distance, distribution evenness and misting effect take leading position in the world level.



保护农作物平衡机构

即使是在凹凸不平的地面上，喷水行车的平衡机构亦能自动调整并保证正确的喷灌角度，从而保护农作物。

Crop-protecting sprinkler balancing mechanism

Pendulous mounting guarantees correct positioning of the sprinkler when operating on uneven fields. The balancing mechanism can protect tender crops from being damaged by the water jet.

Aquajet

Bringing benefits for everyone! 给您带来效益

1 功能设计
最新技术的应用带来最佳的性能价格比，大量地使用通用件使设备结构标准化。

Functional design

Latest technology is applied for the best price performance. Modular construction using a large number of common parts.

2 安全可靠的PE管回收系统
它保证了PE管恒定的回收速度并使之自动排列，并且在灌溉完成和一旦出现排管故障时自动停车。

Layering mechanism for constant PE-pipe retraction

This mechanism guarantees constant retraction speed and instant emergency shut-off in case of winding faults. The safety system also actuates the final shut-off of the reel drive at the end of the strip.

3 带有锚桩和千斤顶的设备支架
坚实的锚桩和千斤顶可以迅速、省力地将“雨星”喷灌机固定，保证在灌溉工作强度大的作业力下机身保持稳定。

Sturdy machine supports

Solid structure including support legs and rack jack firmly anchors the Aquajet main unit during the operating process and not even high retraction force will move the machine from its stable position.

4 PTO收卷设备（选配）
每一台Aquajet喷灌机均可选配外接PTO轴，如果需要，PE管可通过PTO传动轴以一个较低的速度安全收回。

PTO reeling device (Optional)

If necessary, the PE-pipe can be pulled in quickly with the PTO shaft at a low retraction speed that protects the pipe. Standard on all models.

5 高效防腐蚀
底盘、旋转平台乃至喷水桁架和关闭架均采用热镀锌钢件，为金属部件提供了最佳防腐保护，具有长久的使用寿命。

Corrosion protection

Hot-dip galvanization of undercarriage, turntable, sled and shut-off frame provides lasting value by optimum protection of the metal parts.

6 专利配方的PE管
来自欧洲最近技术的高密度PE管，耐拉、耐压、耐磨，具有长久的使用寿命，是华泰保尔灌溉机最大的优势之一。

PE-pipe

The special PE-pipe is produced based on the latest technology from Europe. It is wear resistant, can stand pulling and pressure. Its long service life is one of our best advantages.

7 稳固的卷盘总成
卷筒的外侧及边部的扇形板是特制的抗扭曲保护结构，所有扇形挡板牢固地焊接到筒身上。

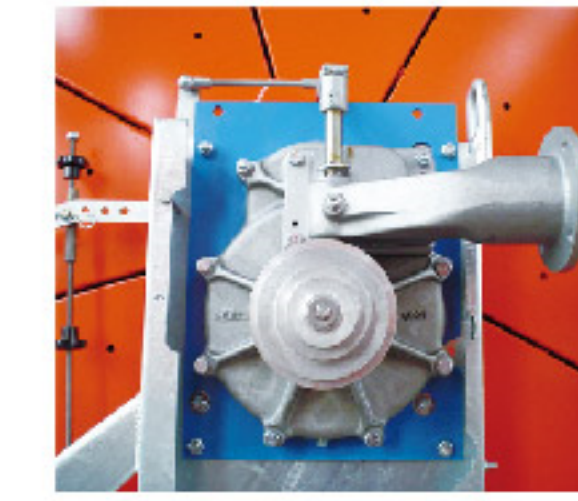
Stable pipe reel

The pipe drum has a special torsion resistant construction of profiles and edged segments. Six cover segments are firmly welded to each side of the drum frame.

8 精确的链条传动
用于卷盘传动的精密链轮，其准确的啮合保证了万无一失的设备运转，以及在强大的作业力下驱动链的长寿命运行和低维护消耗。

Precision chain drive

Precision-manufactured toothed segments for the reel drive guarantee exact chain engagement. This ensures maintenance-free operation and long operation of the driving chain even with very high retraction forces.



水涡轮TX 20

一种新型的、节能的、轴流式水涡轮的设计，以其非同寻常的低压力损耗，再次开创了喷灌机节省驱动消耗的新标准。

◎ 轴流式水涡轮的结构大量地节约能量，减少低压运行消耗。

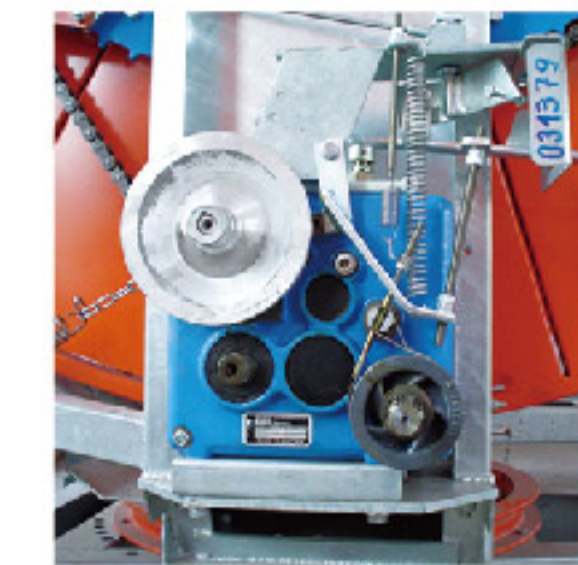
◎ 在水流量较低的情况下，也可以保证强劲的回动力和高回收速度。

◎ 精确的集成控制系统保证喷灌范围内降水的均匀。

Turbine TX 20

A new energy-saving axial turbine design achieves a remarkable low pressure loss. Again H.T-BAUER sets new standards for cost-saving drives of irrigation machines.

- Considerable reduction in energy requirement because of full-flow turbine structure, Further energy saved by turbine mounted directly on the reel shaft,
- Powerful retraction and high retraction speeds possible even with low flow rates,
- Integrated precision control for uniform precipitation on entire strip length.



双速变速箱

提供了操作上的高度简单化，与传动感应装置精确配合，实现自动化控制，允许您对所期望的回收速度和灌水强度等性能范围有一个最佳的、简洁的选择。

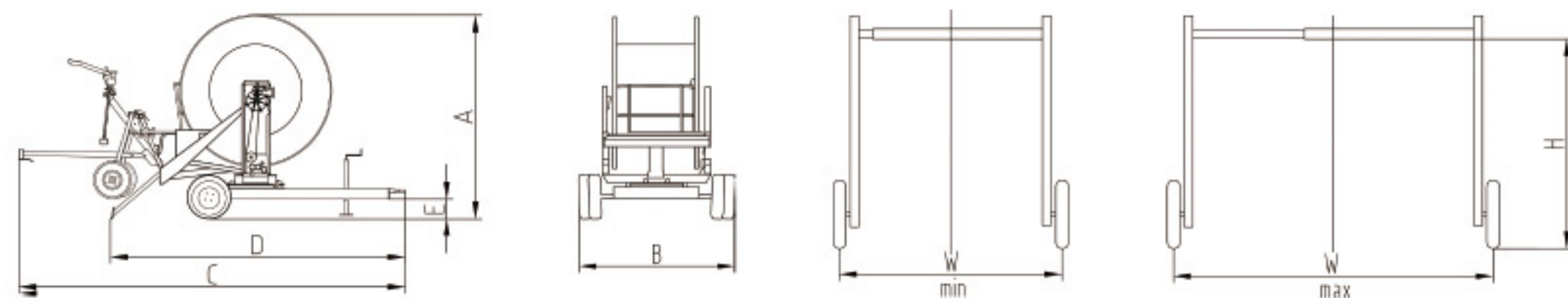
Two-speed gearbox

It matches precisely with the transmission induction device to realize automatic control. Optimum performance of the system can be achieved through selecting retraction speed and precipitation you need.

Aquajet

工作性能表 Performance table

主机 Basic unit	PE管直径 PE-pipe dia. (mm)	最大控制带长 Max.strip length (m)	流量 Flow rate (m ³ /h)	连接压力 Connection pressure (Mpa)	喷嘴直径 Nozzle range (mm)	PE管长度 PE-pipe length (m)
65TX	65	2x (260-340)	17-30.7	0.49-0.95	16-20	220/250/ 300
	75	2x250	24.9-41.4	0.62-0.87	18-24	200
75TX	65	2x380	15.5-26.6	0.51-0.95	16-20	340
	75	2x (300-365)	21.5-38.3	0.58-0.89	18-24	250/270/300/320
	85	2x250	37.2-56.3	0.61-0.87	22-28	200
85TX	75	2x(390-435)	19.7-32.2	0.58-0.89	18-24	350/400
	85	2x(350-365)	37.2-52.1	0.67-0.95	22-28	300/320
	90	2x(280-350)	32.2-56.3	0.55-0.97	22-28	230/250/280/300



设备尺寸 Machine dimensions (mm)

主机 Basic unit	A 高度 Height	B 宽度 Width	C 有效长度 Length with cart	D 无行车长度 Length w/o cart	E 离地高度 Clearance	轮胎型号 Tyres	轮胎尺寸 Tyre dimensions
65TX	2320	1700	4700	3000	240	185/70 R13	590x185
75TX	2650	1850-2050	5300	3650	280	7.00-12	680x180
85TX	3050	1900-2100	5350	3700	290	7.00-12	680x180

行车尺寸 Cart dimensions (mm)

主机 Basic unit	W 宽度 Track width	H 高度 Height	轮胎尺寸 Tyre dimensions
65TX	1500-2900	1100	550x90
75TX/85TX	1500-2900	1100	550x90

Aquago



紧凑的外形，杰出的表现，来自领先世界的欧洲灌溉科技

针对中国农村现有的作业模式和水利条件，华泰保尔公司在2003年推出了Aquago 40、50系列的小型卷盘式喷灌机。它由奥地利保尔公司的设计师精心设计，并考虑加入了降低运行成本的设计。主要体现在：

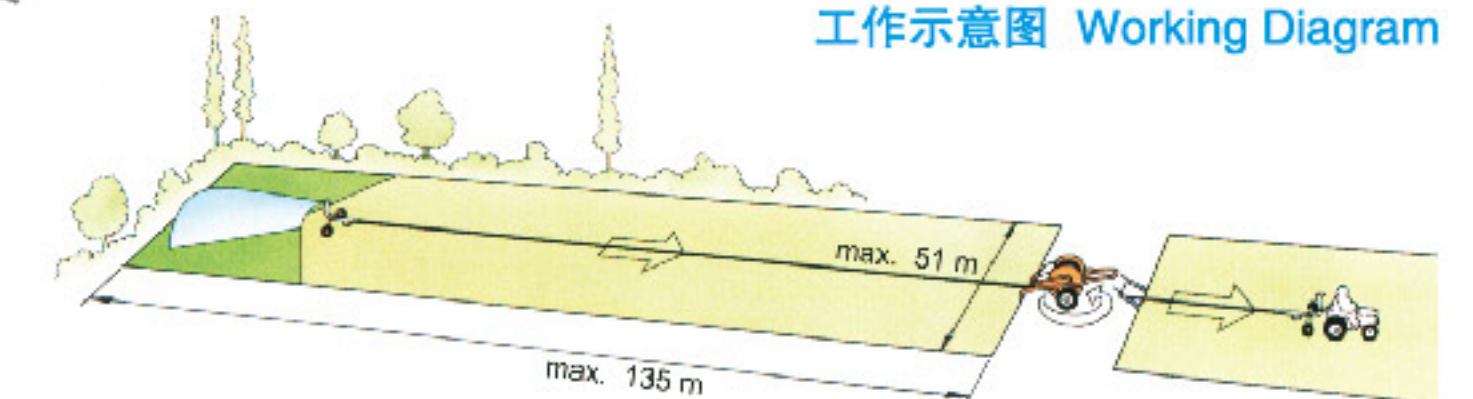
- ◎ 保持了BAUER产品简洁、高效、长寿命、低维护的特点。
- ◎ 喷水行车的拖拽可以利用人力，省地而且节能。
- ◎ 连接压力大大降低。
- ◎ 有利于推进农村小地块节水灌溉的改革。
- ◎ 一次性投入减少，农民负担大大降低。
- ◎ 配套设施相对简便，减少了原有灌溉供水系统的重复改造。

Compact in size but great in performance

Aiming at a solution adapted to the present work mode and hydro technics conditions in rural area, H.T-BAUER launched Aquago 40 series, 50 series small-sized hose reel irrigators in 2003. They were well designed by designers from BAUER with consideration of lowering the operation cost.

- The design keeps BAUER product features like simplicity, high efficiency, long service life and maintenance free.
- Sprinkler cart can be pulled out manually, no need of working road or any driving force, low energy consumption.
- Connection pressure is reduced greatly.
- Water-saving irrigation on small area lands turns feasible.
- With a smaller one-time input, the burden of farmers is greatly reduced.
- Comparatively simple supporting facilities save big change of the original irrigation systems.

工作示意图 Working Diagram



Aquago

精密的水涡轮驱动

高效节能，可以实现回收速度的无极调速。

Accurate driving of turbine

It is energy-saving. Stepless regulation of the retraction speed can be realized.

超低的连接压力

2.8公斤的连接压力已足够喷灌机稳定运行，从而使高效节能和节水完美结合。

Low connection pressure

2.8 bar pressure is sufficient for trouble-free operation. Thus the irrigator has a good performance in both energy-saving and water-saving.

强劲的回收动力

即使在很低的流量情况下，喷水小车仍然可以快速回收，最快可达35米/小时。根据作物需求调节灌溉量变得轻而易举。

Powerful retraction drive

Even at a low flow rate, the sprinkler cart can be retracted at a high speed, maximum to 35 m/h, which makes it easy to adjust the precipitation rate according to plants need.

排管回收系统

先进的排管回收系统保证每一层PE喷灌管铺排准确到位。

Exact PE-pipe winding mechanism

The advanced winding mechanism ensures precise reeling of the irrigation pipe in all layers.

人力轻松拉伸PE管

PE管即便使用人力也可轻松拉伸，避免了拖拉机对作物的伤害。

Manual operation possible

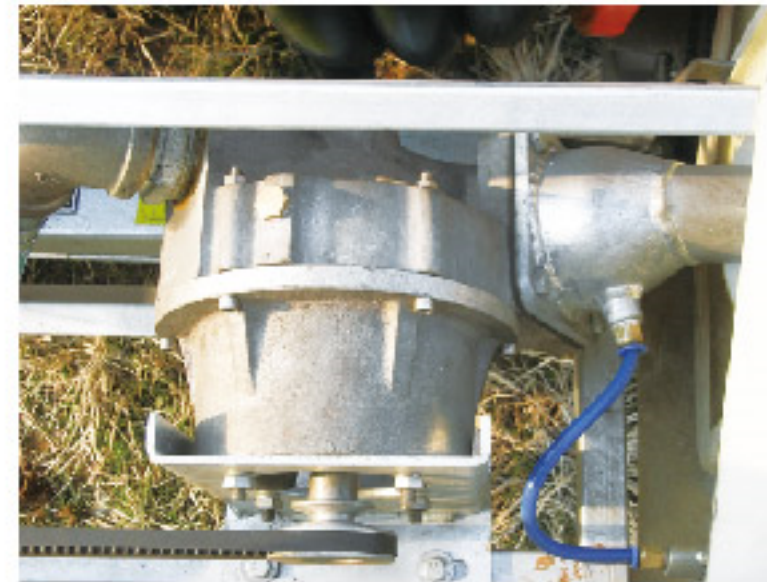
The PE-pipe can be pulled out easily even with manpower so that the crops can avoid being hurt by tractors.

全自动刹车装置

喷灌完成后设备自动停止运行，从而实现无人值守作业。

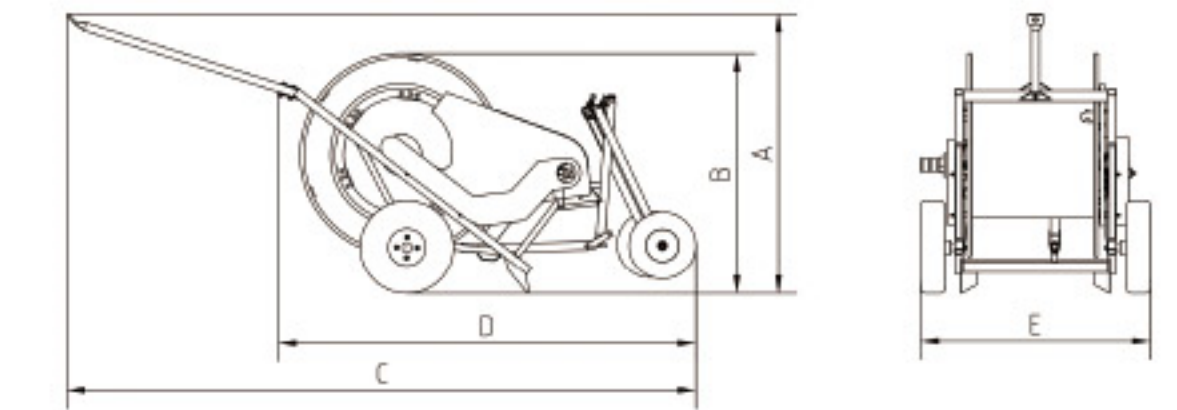
Automatic brake device

The equipment shuts off automatically at the end of the irrigation and it realizes the whole process operation without people supervision.



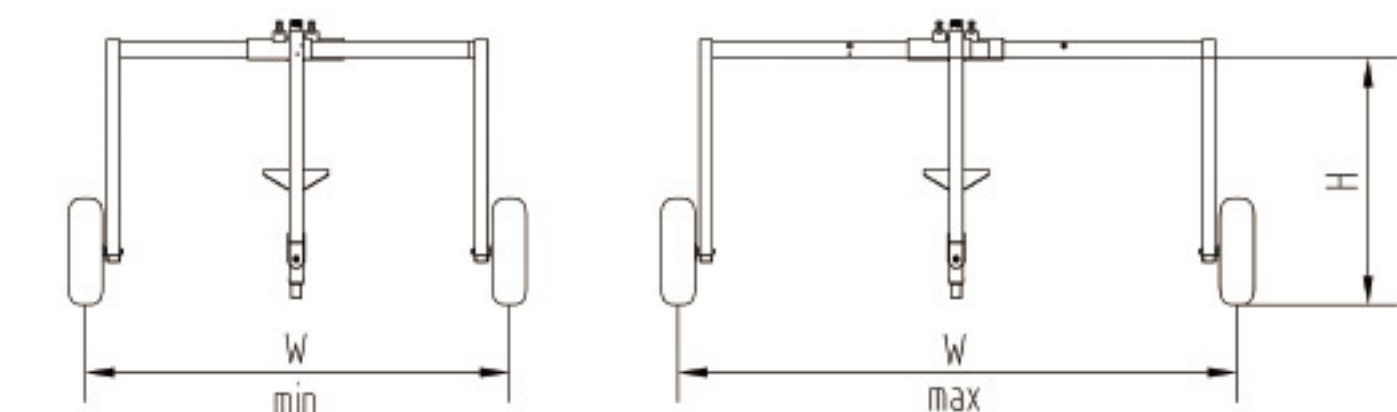
工作性能表 Performance table

机型 Mode	PE管直径 PE-pipe dia. (mm)	最大控制带长 Max.strip length (m)	流量 Flow rate (m ³ /h)	连接压力 Connection pressure (Mpa)	喷嘴直径 Nozzle range (mm)	PE管长度 PE-pipe length (m)
Aquago	40	2x135	3.3-7.0	0.37-0.64	8-10	120
	50	2x115	6.8-15.5	0.30-0.75	10-14	90



设备尺寸 Machine dimensions (mm)

主机 Basic unit	A 有牵引杆高度 Height with draw bar	B 无牵引杆高度 Height w/o draw bar	C 有牵引杆长度 Length with draw bar	D 无牵引杆长度 Length w/o draw bar	E 宽度 Width	轮胎型号 Tyres	轮距 Track width
40-120	1380	1220	3110	2070	1100	5.00-8	985
50-90	1380	1220	3110	2070	1100	5.00-8	985



行车尺寸 Cart dimensions (mm)

主机 Basic unit	W 宽度 Track width	H 高度 Height	轮胎尺寸 Tyre dimensions
40-120	1000-1800	780	260x80
50-90	1000-1800	780	260x80

Aquaspin

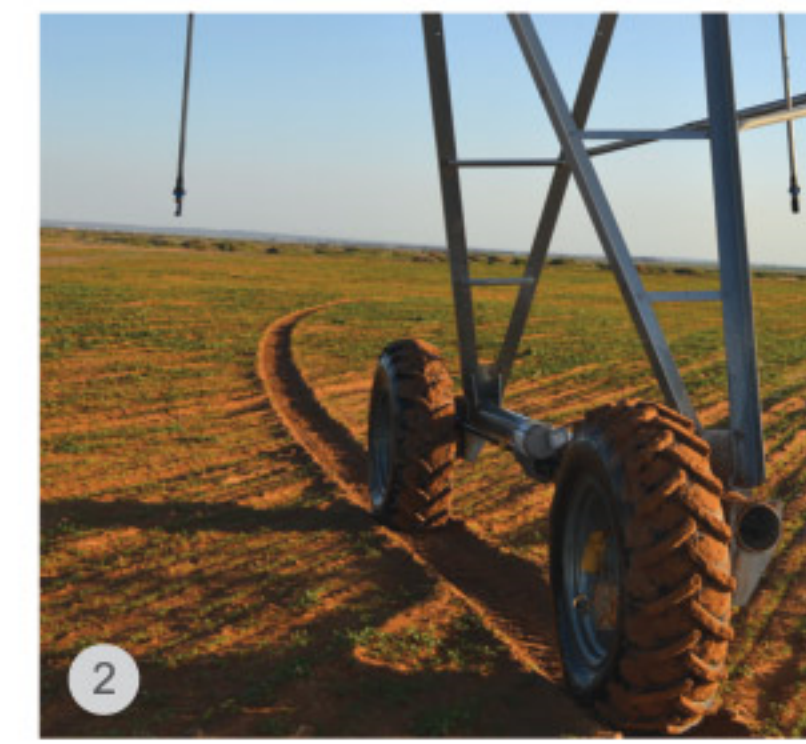
指针式喷灌机

指针式喷灌机主要适用于大面积的农业灌溉。它具有经济、高效、坚固耐用和操作简便的特点。多跨式连接臂围绕着自身固定的中心圆形旋转，循环灌溉土地。根据跨的数目和长度，灌溉直径可达1200米长。

Aquaspin Pivot irrigation system

Aquaspin pivot irrigation system is applicable mainly to large farm irrigation. It has advantages like economic efficiency, high irrigation rate, solid structure, durability and easy operation. A multi-span system runs around its pivot tower and irrigates the earth within its coverage.

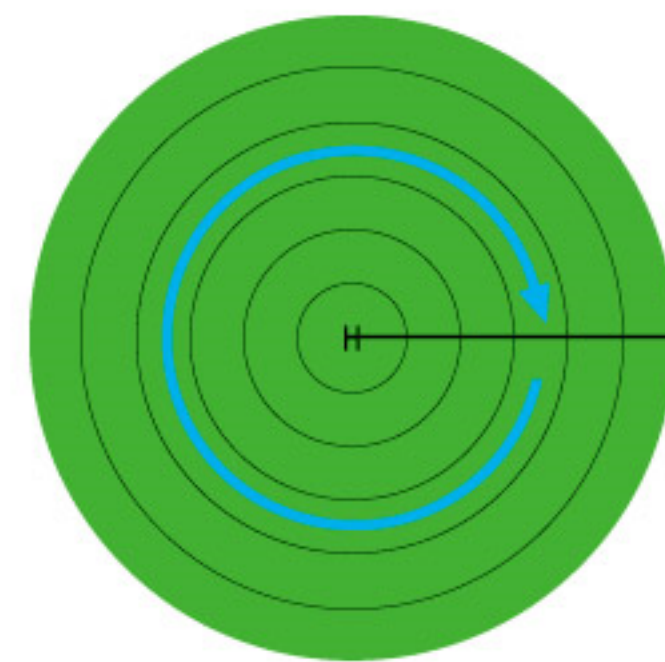
Diameter of the irrigation circle can reach 1200 meters with maximum number of longest spans.



华泰保尔公司的专家在指针式喷灌机的设计过程中，突出了三个设计思想：安装的简洁性、操作的简单化和长久的使用寿命。华泰保尔亦充分重视指针式喷灌机所有部件的选择，从而保证AQUASPIN历经多年仍能满足使用需求。即便在土壤、地形和气候等客观条件非常恶劣的情况下，整个系统的功能设计都可以确保系统的正常运转。

Experts from H.T.BAUER turn their philosophy into realities in the design of Aquaspin: easy to assemble, convenient to operate and longer time to serve. And H.T.BAUER attaches great importance to the selection of all components for Aquaspin center pivot system to ensure the system meeting consistent demands over many years. Even under the most demanding conditions, i.e. heavy soil, heavily intersected terrain and extreme climate conditions, function design of the whole system can still guarantee normal operation of Aquaspin center pivot system.

工作示意图 Working diagram



1 中心塔

由四根80mm×80mm角钢支腿构成，横梁连接以增加中心塔的结构强度和稳定性。整个中心塔全部采用热浸镀锌部件以及防止泄露的双层密封结构。

Pivot tower

The pivot is supported by four 80mm×80mm solid angle steel legs which are connected by cross bars to ensure structural strength and stability of the system. The whole pivot support frame is hot dip galvanized and double lip seal to prevent leaking.

2 驱动塔—轮架系统

驱动塔的支撑角度为100°×75°，具有强防扭功能。大尺寸轴距；两种驱动塔的高度可以在喷灌不同作物时进行最佳调整；轴距间用支架进行支撑；机器的稳固性得易于超宽的轴距；允许的斜坡：达到15%。

Drive towers-wheel base

Drive tower bracing angle 100°×75° for high torsion resistance; Large-dimension wheel base drive tower heights for optimum adjustment to different crops; Wheel base brackets with bracing; Highly stable stand thanks to extremely wide wheel base; Permissible slope: up to 15%.

3 行走塔电机

高扭矩电机过热保护功能
封闭式防潮电机
高效的正齿轮
采用特定防污剂的轴封
型号：40:1/ (0.55千瓦；0.75千瓦；0.9千瓦；1.1千瓦)

Gear motors

High-torque motor with thermal overload protection
Enclosed moisture-proof motor
High-efficiency spur gear
Shaft seal with specific dirt-repellent profile
Types: 40:1/ (0.55kw; 0.75kw; 0.9kw; 1.1kw)

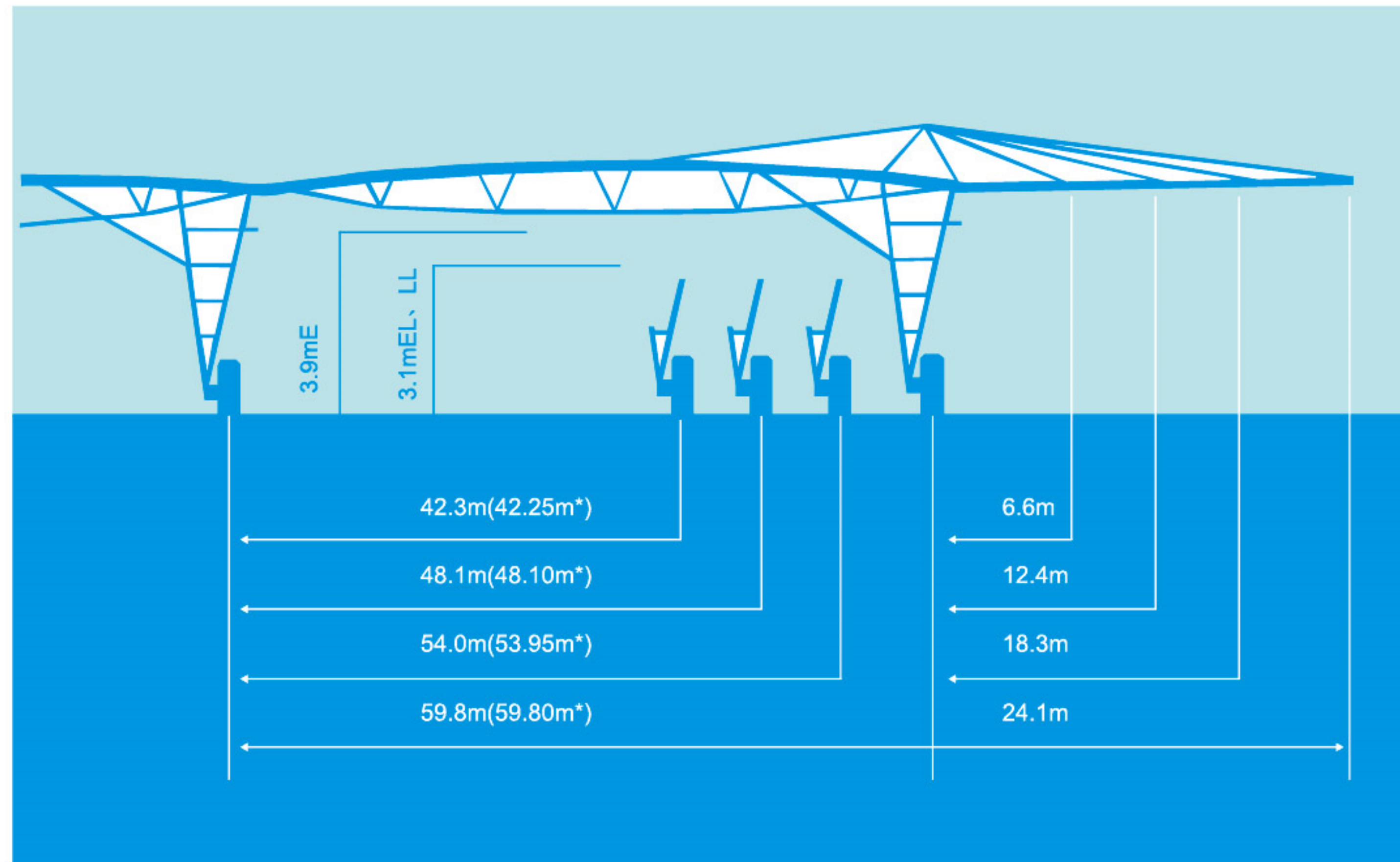
4 跨体结构—桁架系统

平均分布的弧形桁架系统可保证较高的稳定性。采用4种直径的主管设计可以广泛适应于各种流量需求（50-500立方米/小时），优化调整最低运行成本。主管长度采用统一尺寸5.85米极大地方便了设备的运输和安装。通用型桁架拉筋设计可以适用于所有型号设备，直径20毫米的拉筋不仅确保了较高的拉伸强度，更为整个系统提供了更高的安全保证。

Spans-Trussing

Even arc shape of the trussing ensures high degree of stability. Main tube of 4 diameters can meet need of a wide flow rate range (50-500 cum/h) and optimizes the operating cost. Standard tube length (5.85m) facilitates transportation and assembly. Unified truss rod design makes it adaptable for all models of machines and the high tensile truss rod (diameter 20mm) ensures a higher safety guarantee for the whole system.

Aquaspin



技术参数 Technical data (m)

Aquaspin	133EL	168EL	168E	203EL	203E	219EL	219E
管径 Pipe diameter	133mm/5 1/4"	168mm/6 5/8"		203mm/8"		219mm/8 5/8"	
跨长度 Span length	59.8-54.0-48.1-42.3			54.0-48.1-42.3		48.1-42.3	
延伸臂 Overhang	23.4-17.6-11.7-5.9						
离地高度 Headroom	3.1	3.9	3.1	3.9	3.1	3.9	3.9
轮轴距 Wheelase	4.3	5.2	4.3	5.2	4.3	5.2	5.2

Sprinkler

喷头 Sprinklers

因为植物类型、气候条件和生长阶段不同，每一种植物都有不同的灌溉和施肥需求。各式各样的喷嘴可以精准的控制灌溉的水量和施肥量。因此，华泰保尔指针式喷灌系统可以确保耕地的高产和节约利用。

Depending on crop type, climatic conditions and growth phase, every plant has varying irrigation and fertilizer requirements. The wide range of nozzles makes precise control of water and fertilizer amounts possible. Thus, the H.T-BAUER center pivot irrigation system ensures high yield and economical utilization of cultivated land.



KOMET KPT

KOMET KPT 低压旋转式喷头：喷灌范围大，灌溉强度低，抗风性能好。自带配重，喷灌效果好。

KOMET KPT low pressure rotary spray nozzle: Large spray range, low irrigation pressure, good wind resistance. Counter weight equipped, good irrigation effect.



KOMET KPS

KOMET KPS 低压固定式喷头：目前常用的喷头形式，抗风性能好，灌溉范围大。

KOMET KPS low pressure fixed nozzle: Commonly used spray nozzle form, good wind resistance, large irrigation range.



R3000

旋转器用旋转偏转板在多风的天气情况下和排水不良的黏土地带进行广泛的低灌溉强度的喷洒。

Rotator with rotating deflector plate for wide range sprinkling and low irrigation intensities under windy conditions and difficult poorly drained soils.



LDN

LDN 是高抗风性的低压喷头。两个组合的偏转板产生理想的水滴大小，即使当喷嘴直径较大时，也同样适用。可以在低强度下温和灌溉。

LDN low pressure spray nozzle with high wind resistance. Two integrated deflector plates produce the ideal drop size even when the nozzle diameter is large. Gentle irrigation at low intensity.



S3000

旋转器-低压抗风的温和灌溉
Spinner-gentle irrigation at lower pressure with wind resistance.



D3000

低压喷头的紧凑型设计，便于近植物灌溉。喷头有颜色代码，易于更换。

Low pressure spray nozzle in compact design for irrigation near to the plant. Nozzles with color code, easy to exchange.



尾枪——促进土地利用最佳化

尾枪安装在延伸臂的末端，并装配一个增压泵来确保水压，可以有效扩大喷灌圆面积，是最经济的结构形式。

End gun for better optimization of land use

End gun is mounted on the end of overhang to ensure maximum water supply even on exposed areas. The end gun can be equipped with a booster pump to ensure a reliable water pressure. When used for circle irrigation, end gun delivers the water even to the most outside edges, thereby increasing the yield. It is an economical solution for minimal additional expense.

Drip irrigation



滴灌系统

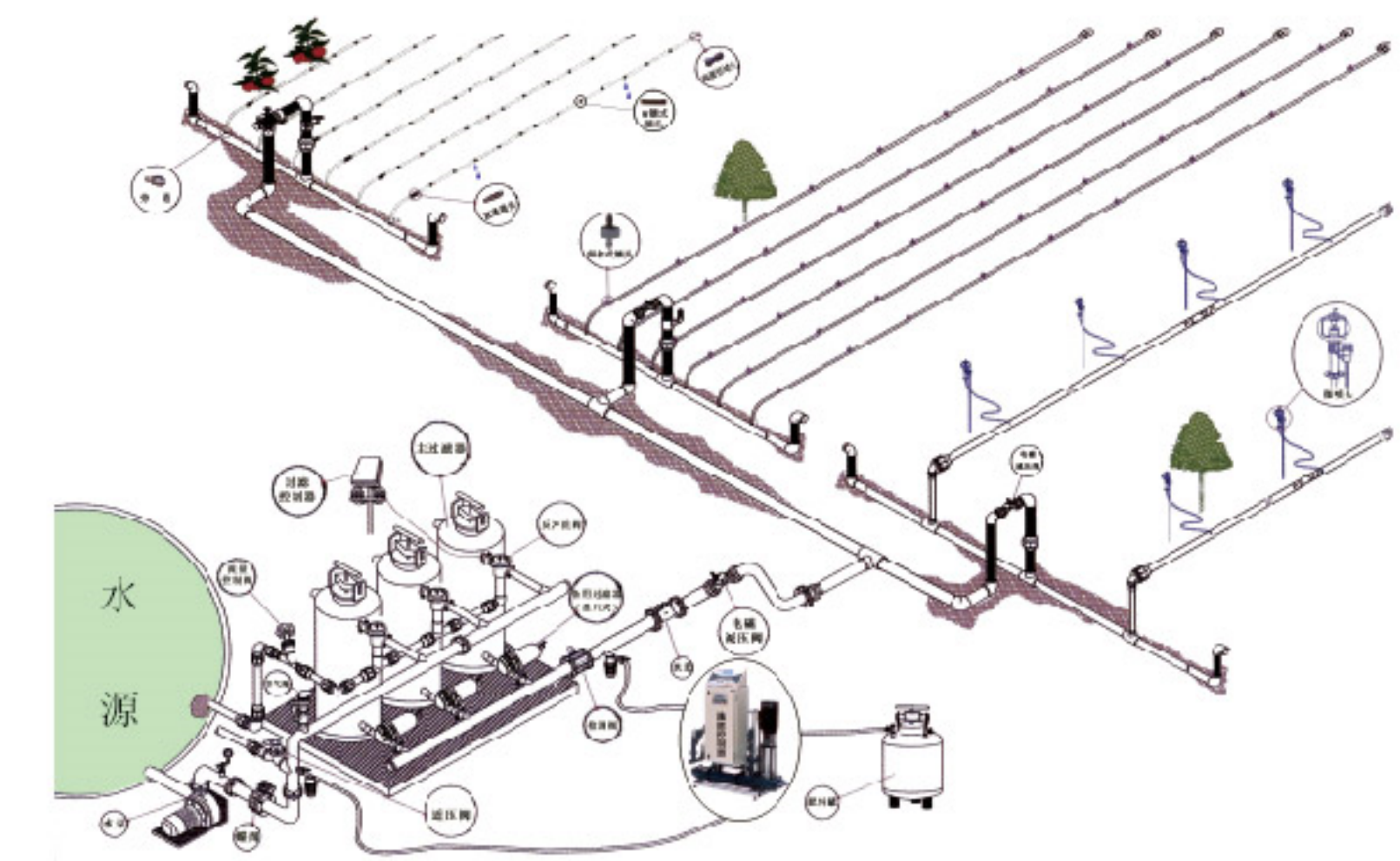
我们集合了以色列拉斐尔滴灌系统，以及专业化的灌溉规划设计，提供了一种可靠、高性价比的方案，为您解决所有地下和地面滴灌的需要。

拉斐尔滴灌系统在全世界用于各种作物，帮助降低用水量、提高作物品质和增加产量。滴灌管可以安装在地面上、薄膜下、甚至地下。由于滴灌管的材料强度、设计和严格的质量标准，拉斐尔滴灌系统可以多年使用。

Drip irrigation

With the help of Raphael drip irrigation and professional planning and design, we provide a reliable cost-effective solution for all your sub-surface and above ground drip irrigation needs. Raphael drip system is used in a variety of crops around the world to help reducing water consumption, increasing crop quality and increasing crop yields. The drip line can be installed on the ground, under plastic, or even subsurface. Because of the drip line's material strength, design and quality production standards, it's the drip system that you can count on year after year.

滴灌系统组成 Drip irrigation



滴头 Drippers



LIN扁平内镶式滴头
Light flat integral dripper



ADI 压力补偿柱状滴头
Cylindrical PC dripper
(Pressure compensated)



VARDIT 微型扁平压力补偿滴头
Miniature flat PC dripper
(Pressure compensated)



ASSIF微型扁平压力补偿（防虹吸）滴头
Miniature flat CAS dripper
(Pressure compensated anti-siphon)

控制器 Controllers



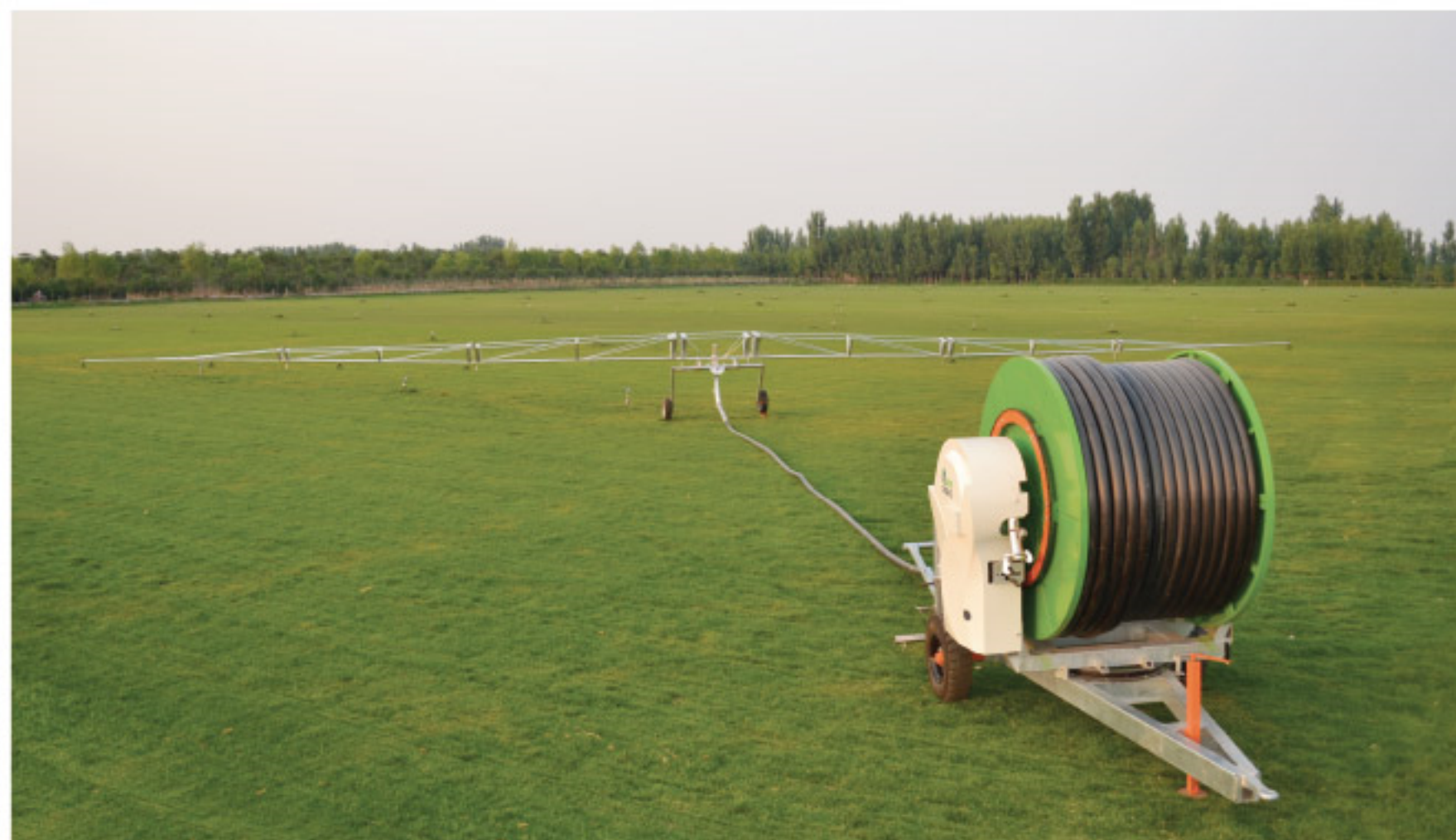
梦幻控制器
DREAM controllers



流星控制器
NETEIR controllers

自动施肥机 Automatic fertilizer applicators





Application

产品应用



Regent 百年历史精密农机制造商 奥地利Regent (瑞耕) — 著名农田耕作设备供应商

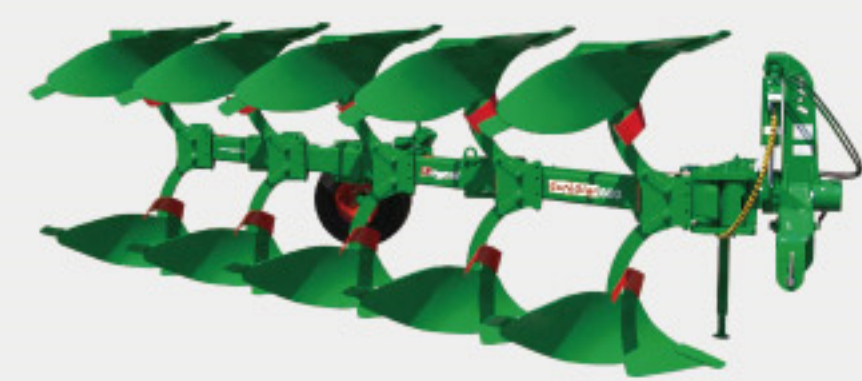


奥地利 REGENT (瑞耕) 农业机械有限公司是奥地利著名农田耕作设备供应商, 成立于 1925 年, 企业长期积累的经验, 追求卓越的精神, 以及敬业创新的员工共同塑造了 REGENT 卓越的品牌形象, 享誉整个欧洲。

主要产品: 翻转犁、动力耙、联合整地机、播种机。
REGENT Agricultural Machinery Co., Ltd is a famous supplier of field husbandry equipment in Austria. It was established in 1925. The company enjoys good reputation in European countries due to its accumulated rich experiences, the pursuit of excellence, dedication and innovation as well as its distinguished brand image of REGENT.

Main products: Reversible plow; powered harrow; combined cultivator; planter.

瑞耕 **Regent**



液压犁 Hydraulic plow



联合整地机 Combined cultivator



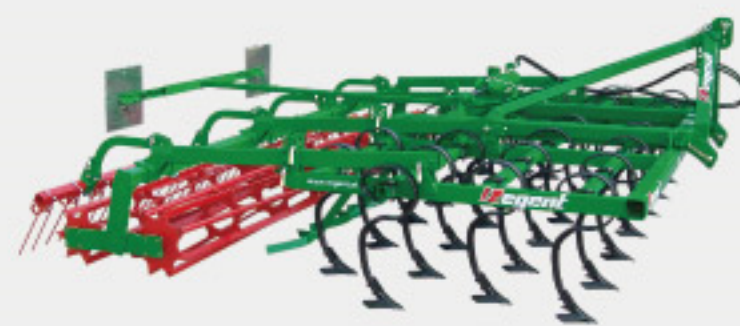
前置/后置破土机
Front/Back groundbreaking machine



动力耙 Powered harrow



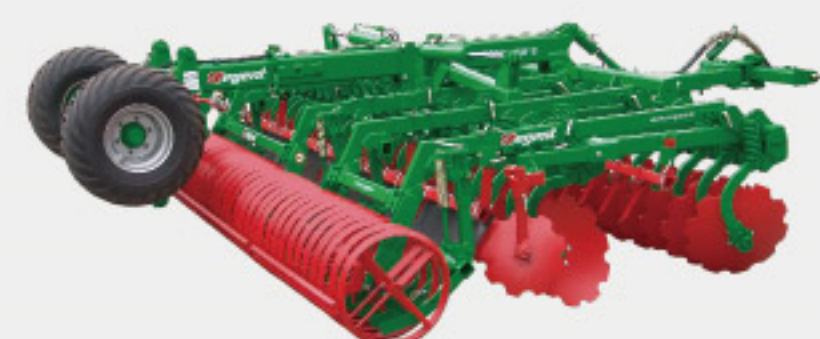
播种机 Planter



加强型联合整地机
Advanced combined cultivator



紧凑型联合整地机
Compact seedbed combination



圆盘式整合整地机
Disc type combined cultivator



种床联合做业机
Seedbed combined machine

Kirchner 来自欧洲的生态农业专家 奥地利Kirchner (吉勒) —— 粪污处理设备供应商



奥地利Kirchner (吉勒) 公司成立于1941年, 长期以来致力于农业机械和公共设施的制造和生产, 在生产制造方面具备长期的生产经验, Kirchner公司主要面对大型农牧场推出的有机肥处理还田设备在欧洲享有盛誉, 对种植产生的秸秆进行切割粉碎, 对养殖产生的粪便污水收集搅拌, 进行固液分离后可将固态或液态有机肥还田, 或将固态残渣处理成圈舍垫料, 循环利用有机物, 改良土壤, 保护生态环境。

主要产品: 液体施肥罐车, 泥浆搅拌机, 泥浆泵, 固液分离机, 固体撒肥车, 秸秆粉碎机等。
Kirchner Austria, founded in 1941, has been devoted in manufacturing and producing agricultural machinery and communal facilities for a long time. The company is rich in experiences in this respect. Kirchner enjoys a great reputation in manufacturing manure equipment for large farms in Europe. The process is: pulverizing the straws, then collecting and stirring the fecal sewage of the animals, and separating the liquid and solid organic fertilizer and returning to the field, or put solid wastes on the ground of the housing. The recycling use of organic fertilizers can improve the soil and protect the eco-system.

Main products: Liquid fertilizer vehicle; slurry agitator; slurry pump; solid-liquid separator; solid fertilizer spreader; straws pulverizer, etc.



液体施肥罐车 Liquid fertilizer vehicle



搅拌机 Slurry agitator



泥浆泵 Slurry pump



固液分离机 Solid-liquid separator



撒肥车 Solid fertilizer spreader



Machinery for the project

1. Modern farming machinery like ploughs, rotovators, planters, rotary harrows, corn harvesters, mowers, tedders, banders, self-loading wagons, etc. from Poettinger.
2. Water efficient irrigation system like center pivot irrigation system and hose reel irrigator from Roehren-und Pempenwerk BAUER Gesellschaft M.B.H.
3. Biogas electricity generation equipment like the feeding device, stirring device, fermentation device and biogas electricity generator from Roehren-und Pempenwerk BAUER Gesellschaft M.B.H.
4. Solid-liquid separator like solid-liquid separation pump, organic fertilizer returning to the field, liquid fertilizer wagon from Roehren-und Pempenwerk BAUER Gesellschaft M.B.H. and solid fertilizer sprinkling wagon from Poettinger.
5. Advanced driving device like tractor of high-horsepowers.

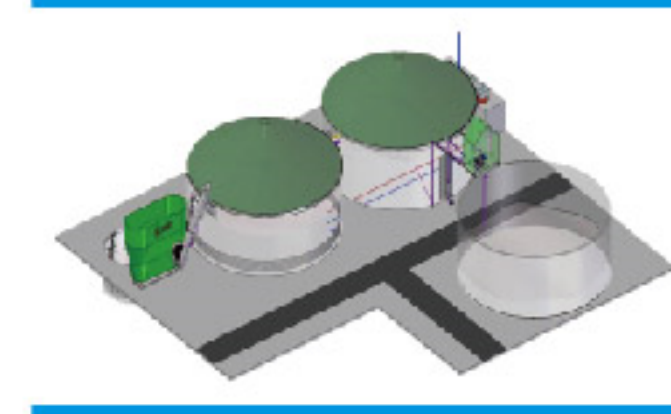


供电 Power supply



搅拌填料 Stirring and feeding

有机填料 Organic feedings



沼气发电 Electricity generated by biogas

发酵后物质 Fermented fertilizer



固液分离 Solid-liquid separation

液态有机肥 Liquid organic fertilizer



禽畜养殖 Ecological breeding

饲料 Fodder



现代化有机农作物种植 Modern ecological planting

回归建设有机农牧场 Returning to farm



肥料喷洒 Manure

Scale of the circular economy project

1. The farm for water-saving irrigation and mechanized farming is of 2000 hectares. The annual yield of silage corn is about 120,000 tons and dry grass 6,000 tons.
2. Feeding 10,000 cows and yield milk 50,000 tons per year.
3. Manure wastewater treatment over 1,300 tons per day, and about 470,000 tons per year.
4. Biogas production 15,000 m³ per day and electricity generation 25,000 Kw/h per day and total electricity generation about 9 million Kw/h each year.
5. Producing organic fertilizer, returning liquid organic fertilizer back to field, processing the biogas residues to organic fertilizer particles; gaining other organic agricultural products like organic vegetables, meat and eggs.

循环经济项目建设规模

1. 农牧场面积3万亩，全部实施节水灌溉和机械化耕作，年产青贮玉米约120000吨、干青草约6000吨。
2. 养殖奶牛1万头，年产鲜奶5万吨。
3. 每天处理牲畜粪便污水1300吨，年处理量为约47万吨。
4. 每天产沼气1.5万立方，日发电量约2.5万千瓦时，年发电总量约900万千瓦时。
5. 生产有机肥料，液态有机肥回田，沼渣加工成有机肥颗粒；以及其他有机农副产品，如有机蔬菜、肉、蛋等等。



固体颗粒有机肥 Solid particle organic fertilizer



生产畜牧辅垫料或制造饲料、肥料 Manufacture forage and fertilizer

项目建设主要引进的机械设备

1. 现代化农机设备，包括奥地利博田公司的翻转犁、旋耕机、播种机、中耕机、玉米收获机、割草机、翻晒机、圆捆打包机、饲料切割自装车等等。
2. 节水灌溉设备，包括奥地利保尔公司的圆形指针式喷灌机、卷盘式喷灌机等。
3. 沼气发电设备，包括奥地利保尔公司的填料系统、搅拌系统、发酵系统和沼气发电系统。
4. 沼渣固液分离设备，包括奥地利保尔公司的固液分离泵等。有机肥还田设备，包括奥地利保尔公司的液态有机肥罐车和博田公司的固态有机肥撒车。
5. 顶级动力装置，包括大马力的拖拉机等。