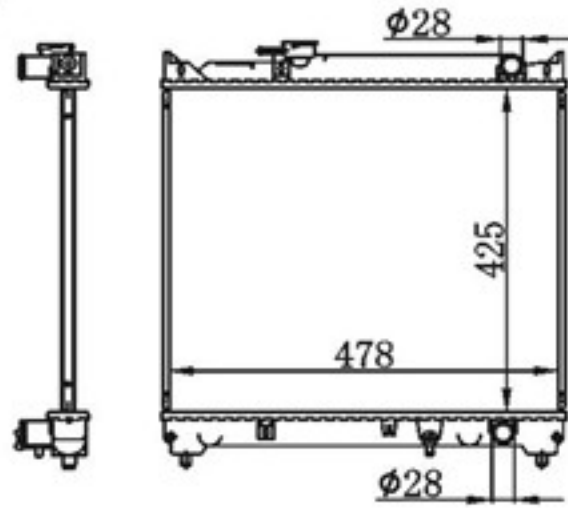
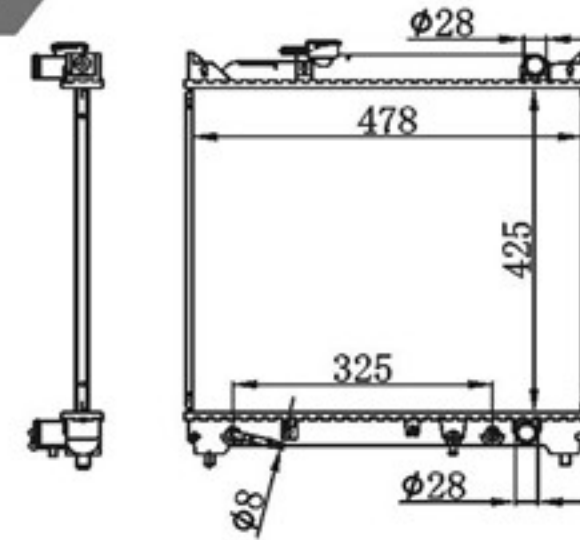


## BY-39001



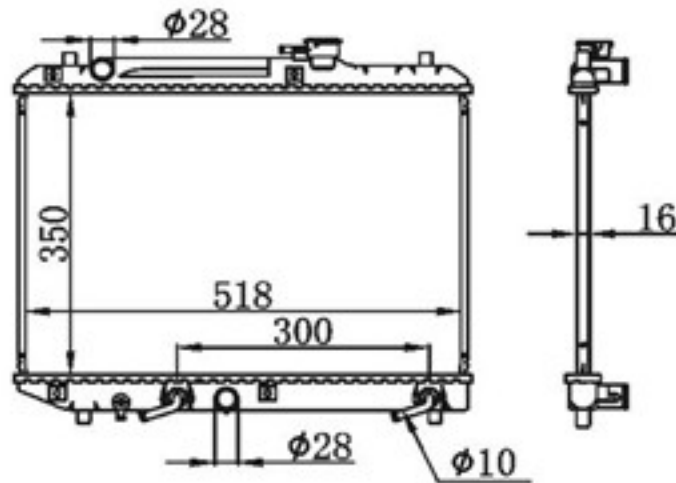
MODELS : SIDEKICK 14 1.6 GAS 88-97 MT P A : 16/26  
 CORE SIZE : 425×478 DPI :  
 TANK SIZE : 48/48×507 OEM : 17700-56B00/56B02  
 CARTON: 560\*120\*610 NISSENS:64155

## BY-39002



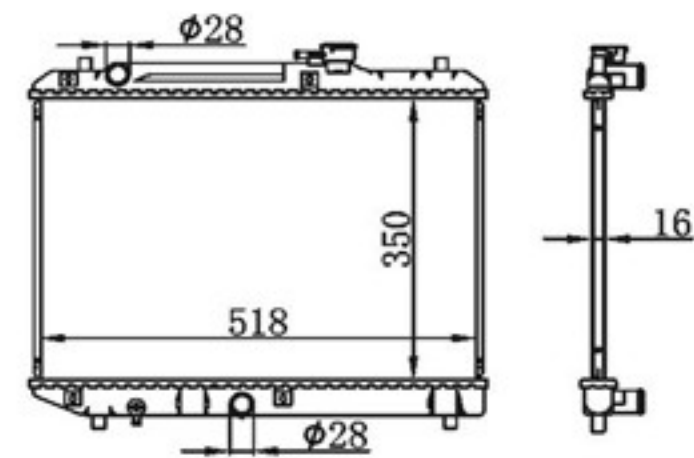
MODELS : SIDEKICK 14 1.6 GAS 88-97 AT P A : 16/26  
 CORE SIZE : 425×478 DPI : 1864-PA26  
 TANK SIZE : 48/48×507 OEM : 17700-56B10/56B12  
 CARTON: 560\*120\*610 NISSENS:

## BY-39003



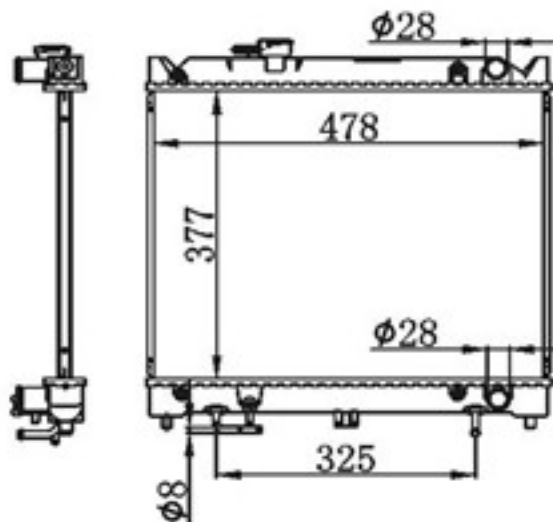
MODELS : CULTUS/SWIFT GA11 95- AT P A : 16  
 CORE SIZE : 350×518 DPI : 2085  
 TANK SIZE : 33/40×544 OEM : 17700-60G11  
 CARTON: 590\*120\*540 NISSENS:64176

## BY-39004



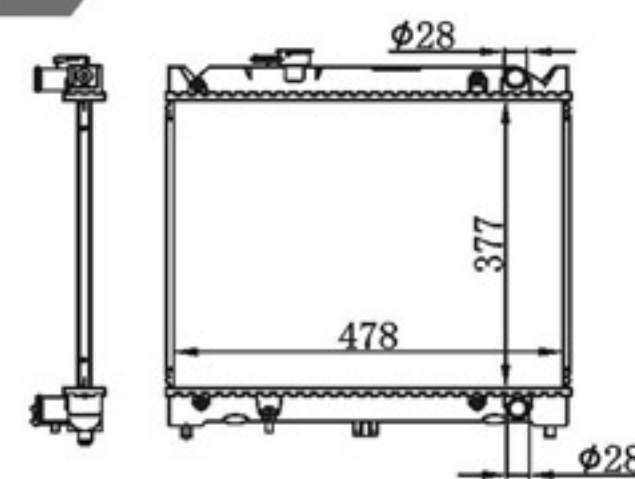
MODELS : CULTUS/SWIFT GA11 95- MT P A : 16  
 CORE SIZE : 350×518 DPI : 2084  
 TANK SIZE : 33/40×544 OEM : 17700-60G00  
 CARTON: 590\*120\*540 NISSENS:64177

## BY-39005



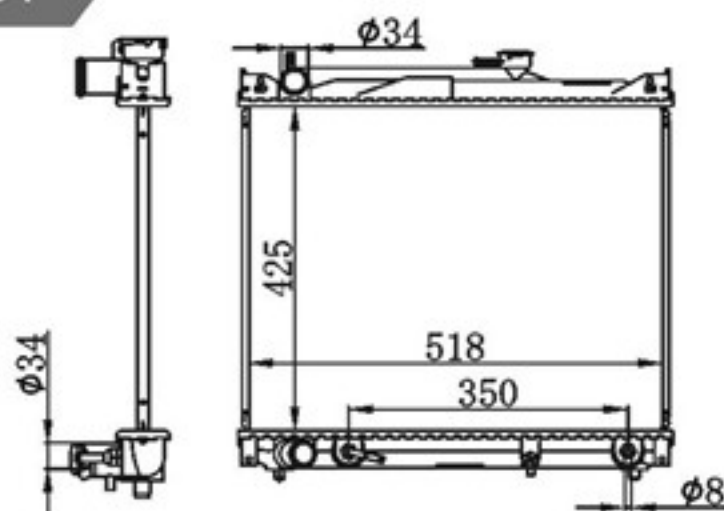
MODELS : SIDE KICK/VIT 97-98 AT P A : 16/26  
 CORE SIZE : 377×478 DPI : 2089-PA26  
 TANK SIZE : 48/48×507 OEM : 17700-60A11/60A12  
 CARTON: 560\*120\*580 NISSENS:64079

## BY-39006



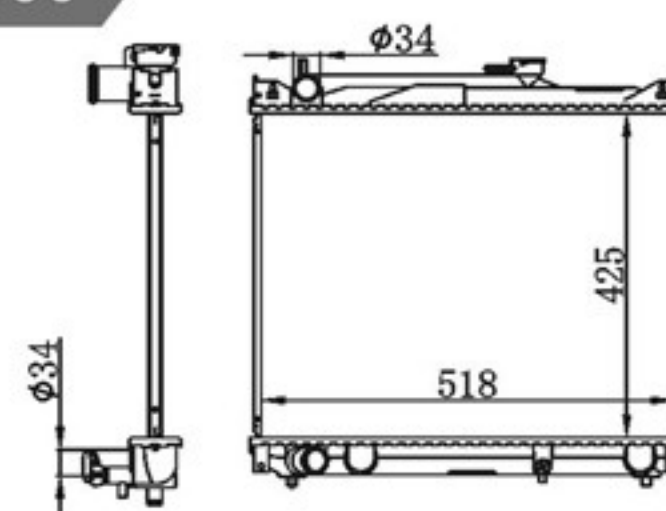
MODELS : SIDE KICK/VIT 97-98 MT P A : 16/26  
 CORE SIZE : 377×478 DPI :  
 TANK SIZE : 48/48×507 OEM : 17700-60A10/60A02  
 CARTON: 560\*120\*580 NISSENS:

## BY-39007



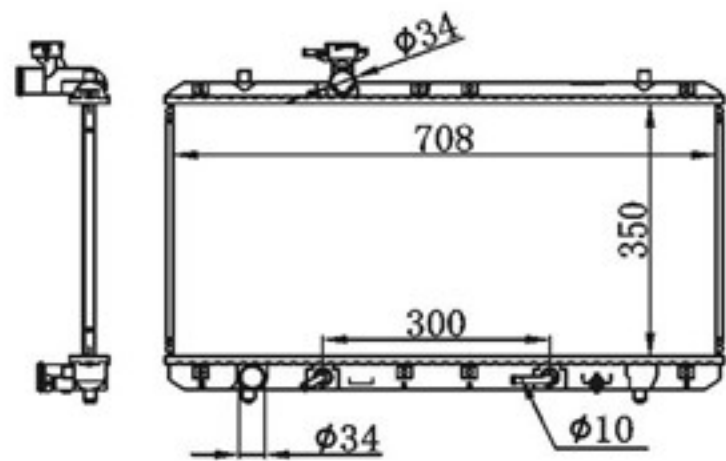
MODELS : VITARA L4 1.6 GAS 96-04 AT P A : 16/26  
 CORE SIZE : 425×518 DPI : 2087-PA26  
 TANK SIZE : 48/48×544 OEM : 17700-77E30  
 CARTON: 580\*120\*640 NISSENS:64159

## BY-39008



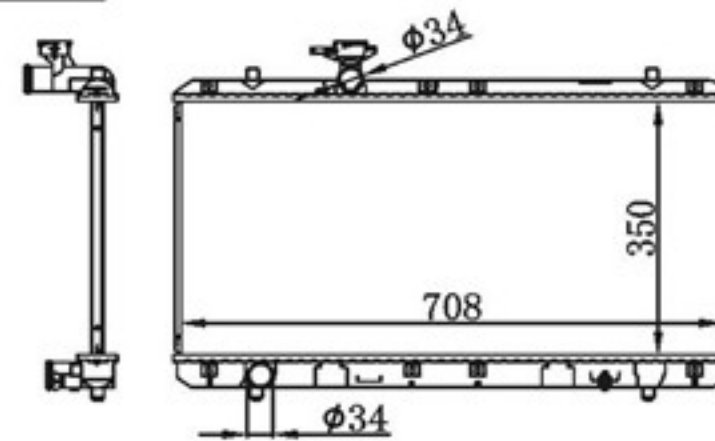
MODELS : VITARA L4 1.6 GAS 96-04 MT P A : 16/26  
 CORE SIZE : 425×518 DPI : 2210-PA26  
 TANK SIZE : 48/48×544 OEM : 17700-77E20/77E00  
 CARTON: 580\*120\*640 NISSENS:

## BY-39009



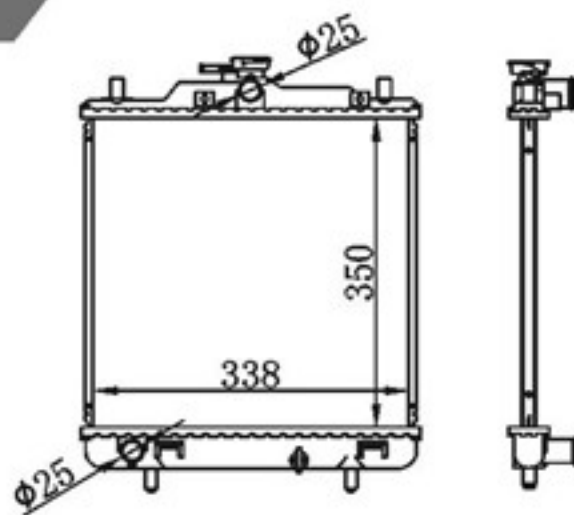
MODELS : AERIO AR21S 01-04 AT P A : 16/26  
 CORE SIZE : 350×708 DPI :  
 TANK SIZE : 48/48×735 OEM : 17700-54G10  
 CARTON: 790\*150\*560 NISSENS:64166A

## BY-39010



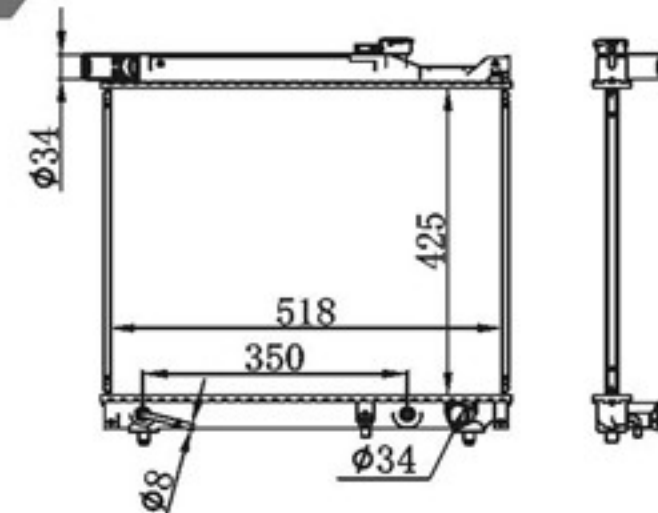
MODELS : AERIO AR21S 01-04 MT P A : 16/26  
 CORE SIZE : 350×708 DPI :  
 TANK SIZE : 48/48×735 OEM : 17700-54G00  
 CARTON: 790\*150\*560 NISSENS:64167A

## BY-39011



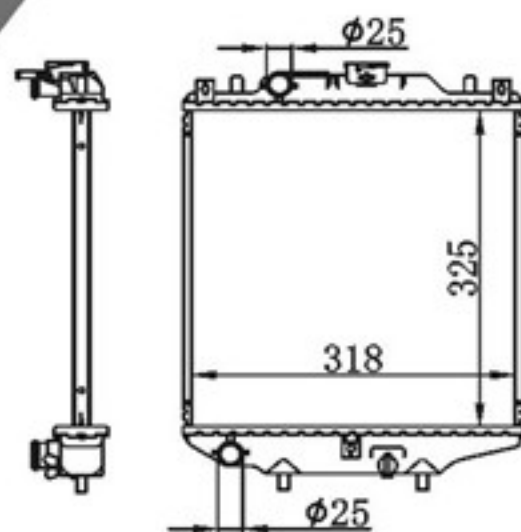
MODELS : CARRY DA52T 99-01 MT P A : 16/26  
 CORE SIZE : 350×338 DPI :  
 TANK SIZE : 39/39×366 OEM : 17700-78A00  
 CARTON: 410\*120\*530 NISSENS:

## BY-39012



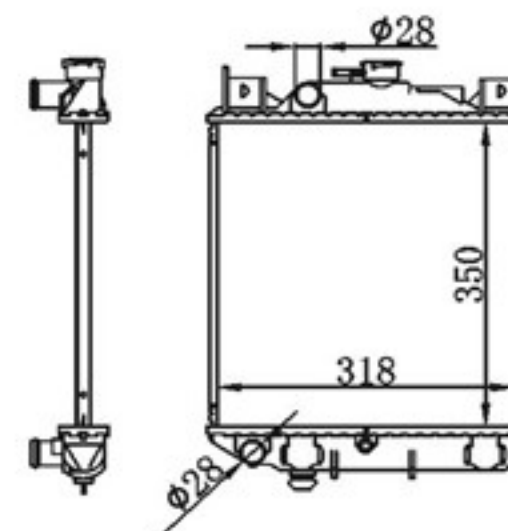
MODELS : ESCUDO TD32W 98-99 AT P A : 16/26  
 CORE SIZE : 425×518 DPI :  
 TANK SIZE : 48/48×544 OEM : 17700-78E00  
 CARTON: 610\*120\*630 NISSENS:

## BY-39013



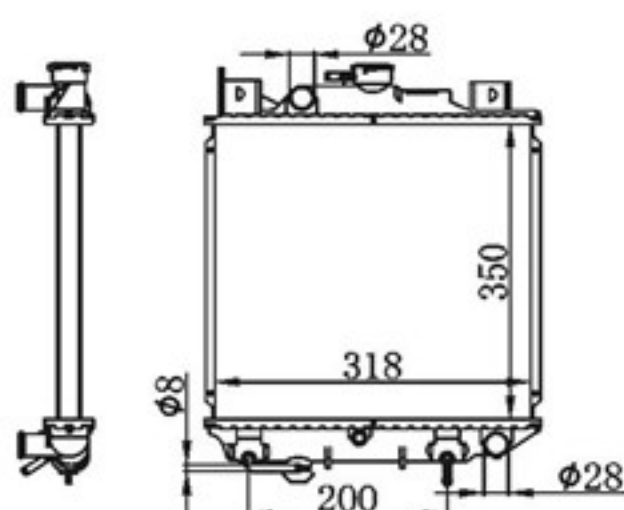
MODELS : WAGON R GT21S 93-98 MT P A : 16/22/26  
 CORE SIZE : 325×318 DPI :  
 TANK SIZE : 48/48×342 OEM : 17700-66F00/73G90  
 CARTON: 390\*120\*510 NISSENS:

## BY-39014



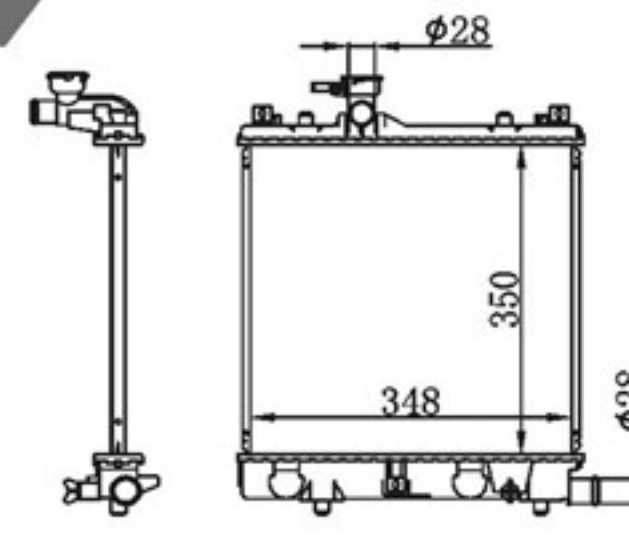
MODELS : SWIFT AJ14S 91-95 MT P A : 16/26/32  
 CORE SIZE : 350×318 DPI :  
 TANK SIZE : 50/50×346 OEM : 17700-71C01  
 CARTON: 390\*120\*560 NISSENS:

## BY-39015



MODELS : SWIFT L3 1.0 GAS 92-94 AT P A : 16/26/32  
 CORE SIZE : 350×318 DPI : 1168-PA32  
 TANK SIZE : 50/50×346 OEM : 17700-63B32  
 CARTON: 390\*120\*560 NISSENS:

## BY-39016



MODELS : HA23S 00-05 MT P A : 16/26  
 CORE SIZE : 350×348 DPI :  
 TANK SIZE : 48/48×372 OEM : 17700-83G50/83B00  
 CARTON: 450\*140\*560 NISSENS:

**BY-39017**

MODELS : ALTO CL21V 90-98 MT  
CORE SIZE : 325×318  
TANK SIZE : 44.5/44.5×338.4  
CARTON: 390\*120\*510

P A : 16  
DPI :  
OEM : 17700-70G10/60D40  
NISSENS:

**BY-39018**

MODELS : ALTO CN21S 90-98 AT  
CORE SIZE : 325×318  
TANK SIZE : 33/48×342  
CARTON: 390\*120\*510

P A : 16  
DPI :  
OEM : 17700-60D10/71G10  
NISSENS:

**BY-39019**

MODELS : ALTO CN11S 88-90 AT  
CORE SIZE : 325×318  
TANK SIZE : 40/50×346  
CARTON: 390\*120\*510

P A : 16  
DPI :  
OEM : 17700-70B20/71G20  
NISSENS:

**BY-39020**

MODELS : ALTO CN11S 88-90 MT  
CORE SIZE : 325×318  
TANK SIZE : 40/50×346  
CARTON: 390\*120\*510

P A : 16  
DPI :  
OEM : 17700-60D03/70B00  
NISSENS:

**BY-39021**

MODELS : CERVO MODE CN32S 95-98 MT  
CORE SIZE : 375×318  
TANK SIZE : 48/48×342  
CARTON: 390\*120\*560

P A : 16/22/26  
DPI :  
OEM : 17700-73G00  
NISSENS:

**BY-39022**

MODELS : SWIFT ZC11 04- AT  
CORE SIZE : 375×558  
TANK SIZE : 47/47×581  
CARTON: 630\*160\*580

P A : 16/26  
DPI :  
OEM : 17700-63J10  
NISSENS: 641755

**BY-39023**

MODELS : SWIFT ZC11 04- MT  
CORE SIZE : 375×558  
TANK SIZE : 47/47×581  
CARTON: 630\*160\*580

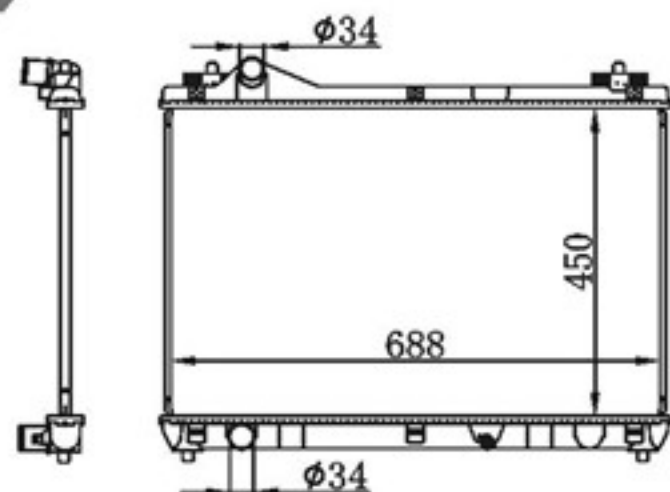
P A : 16/26  
DPI :  
OEM : 17700-63J00  
NISSENS: 69400

**BY-39024**

MODELS : GRAND VITARA/XL7 04-06 AT  
CORE SIZE : 475×588  
TANK SIZE : 48/48×620  
CARTON: 670\*140\*660

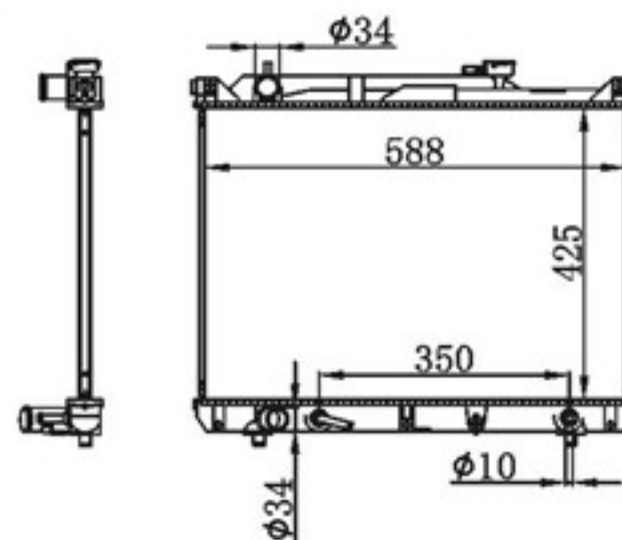
P A : 16/26/32  
DPI : 2933-PA26  
OEM : 17700-52D30  
NISSENS:

## BY-39025



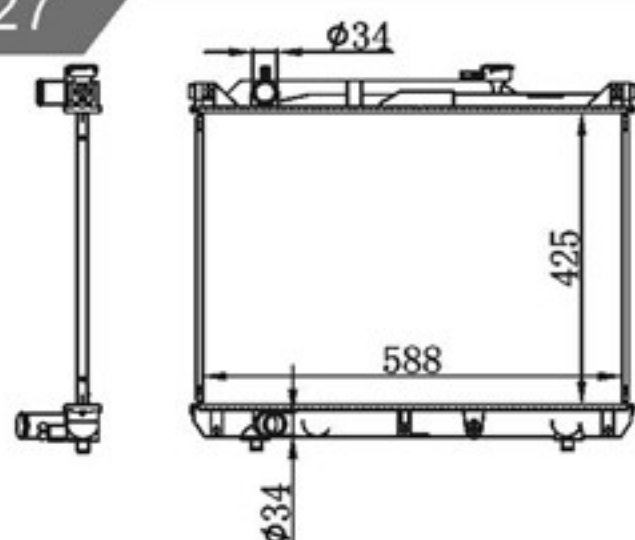
MODELS : ESCUDO 05- MT P A : 16/26  
 CORE SIZE : 450×688 DPI :  
 TANK SIZE : 48/48×717 OEM : 17700-65J00  
 CARTON: 760\*120\*660 NISSENS:64200

## BY-39026



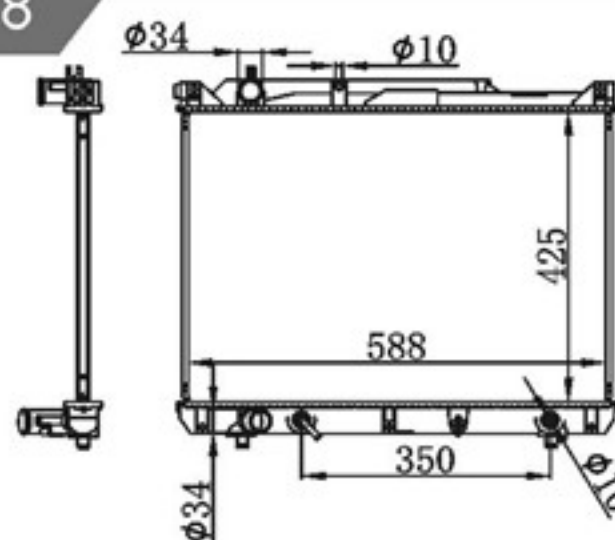
MODELS : GRAND VITARA/XL7 00-03 AT P A : 16/26/32  
 CORE SIZE : 425×588 DPI : 2430-PA26  
 TANK SIZE : 48/48×620 OEM : 17700-52D10  
 CARTON: 680\*140\*630 NISSENS:64194A

## BY-39027



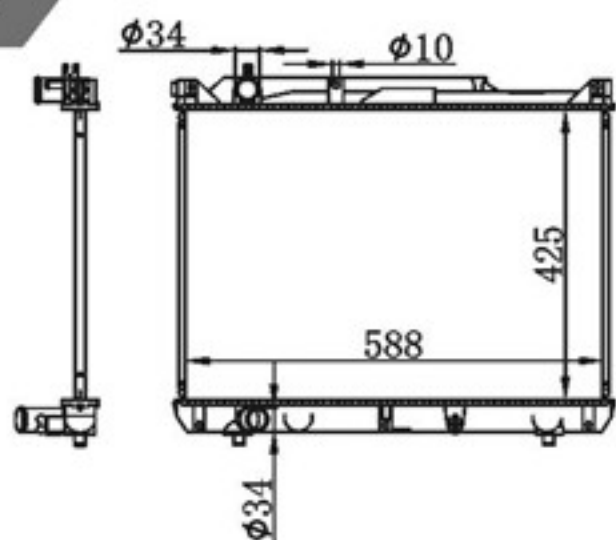
MODELS : GRAND VITARA/XL7 00-03 MT P A : 16/26/32  
 CORE SIZE : 425×588 DPI :  
 TANK SIZE : 48/48×620 OEM :  
 CARTON: 680\*140\*630 NISSENS:

## BY-39028



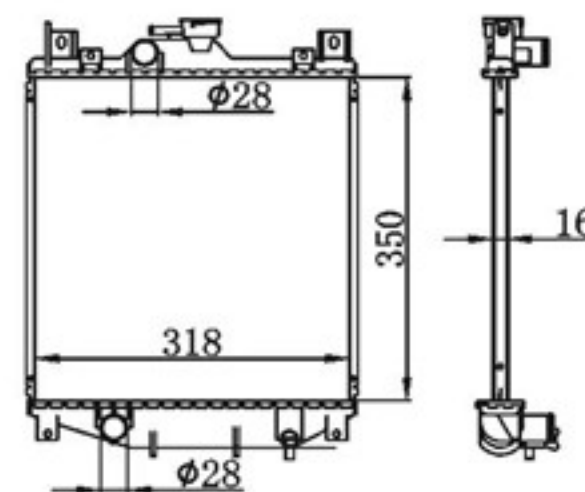
MODELS : GRAND VITARA 2.OHDI 01- AT P A : 16/26/32  
 CORE SIZE : 425×588 DPI :  
 TANK SIZE : 48/48×620 OEM : 17700-68DC0  
 CARTON: 680\*140\*630 NISSENS:

## BY-39029



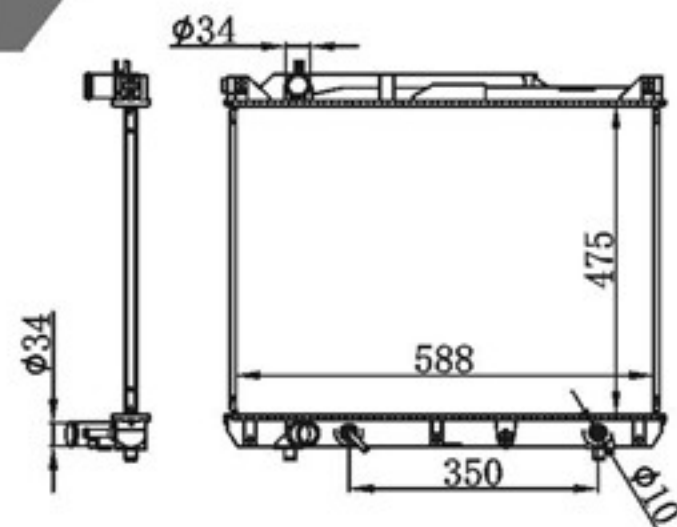
MODELS : GRAND VITARA 2.OHDI 01- MT P A : 16/26/32  
 CORE SIZE : 425×588 DPI :  
 TANK SIZE : 48/48×620 OEM :  
 CARTON: 680\*140\*630 NISSENS:

## BY-39030



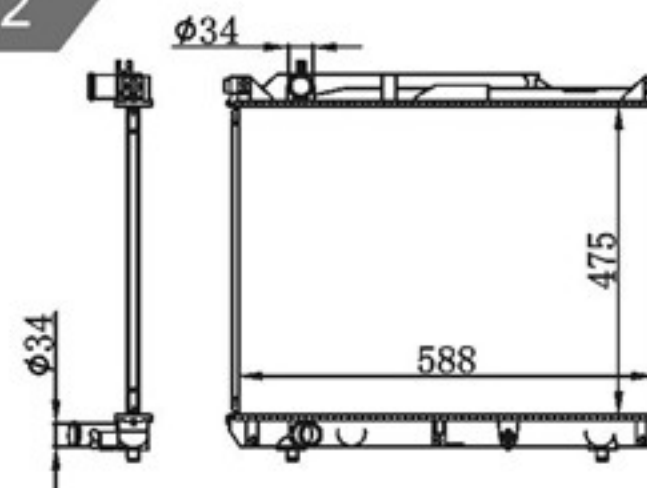
MODELS : SWIFT 1.0I 91- MT P A : 16  
 CORE SIZE : 350×318 DPI :  
 TANK SIZE : 33/48×342 OEM : 17700-80E00  
 CARTON: 380\*120\*550 NISSENS:64173A

## BY-39031



MODELS : GRAND VITARA 2.OHDI 01- AT P A : 16/26/32  
 CORE SIZE : 475×588 DPI :  
 TANK SIZE : 48/48×620 OEM :  
 CARTON: 680\*140\*630 NISSENS:

## BY-39032



MODELS : GRAND VITARA 2.OHDI 01- MT P A : 16/26/32  
 CORE SIZE : 475×588 DPI :  
 TANK SIZE : 48/48×620 OEM :  
 CARTON: 680\*140\*630 NISSENS:

**BY-39033**

MODELS : ESCUDO 05- MT P A : 16/26  
 CORE SIZE : 450×688 DPI :  
 TANK SIZE : 48/48×717 OEM : 17700-65J00  
 CARTON: 760\*120\*660 NISSENS:64200

**BY-39034**

MODELS : GRAND VITARA/XL7 00-03 AT P A : 16/26/32  
 CORE SIZE : 425×588 DPI : 2430-PA26  
 TANK SIZE : 48/48×620 OEM : 17700-52D10  
 CARTON: 680\*140\*630 NISSENS:64194A

**BY-39035**

MODELS : GRAND VITARA/XL7 00-03 MT P A : 16/26/32  
 CORE SIZE : 425×588 DPI :  
 TANK SIZE : 48/48×620 OEM :  
 CARTON: 680\*140\*630 NISSENS:

**BY-39036**

MODELS : GRAND VITARA 2.OHDI 01- AT P A : 16/26/32  
 CORE SIZE : 425×588 DPI :  
 TANK SIZE : 48/48×620 OEM : 17700-68DC0  
 CARTON: 680\*140\*630 NISSENS:

**BY-39037**

MODELS : GRAND VITARA 2.OHDI 01- MT P A : 16/26/32  
 CORE SIZE : 425×588 DPI :  
 TANK SIZE : 48/48×620 OEM :  
 CARTON: 680\*140\*630 NISSENS:

**BY-39038**

MODELS : SWIFT 1.0I 91- MT P A : 16  
 CORE SIZE : 350×318 DPI :  
 TANK SIZE : 33/48×342 OEM : 17700-80E00  
 CARTON: 380\*120\*550 NISSENS:64173A

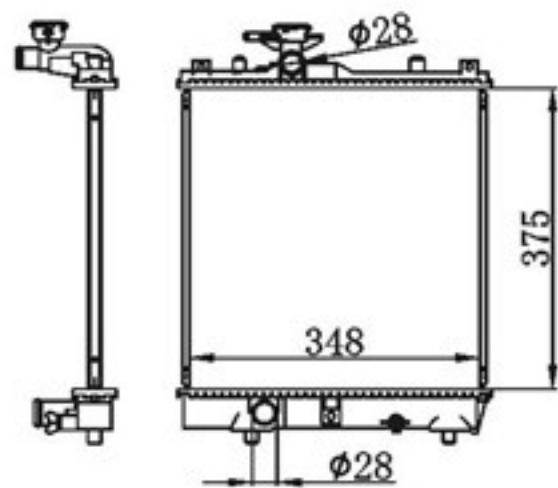
**BY-39039**

MODELS : GRAND VITARA 2.OHDI 01- AT P A : 16/26/32  
 CORE SIZE : 475×588 DPI :  
 TANK SIZE : 48/48×620 OEM :  
 CARTON: 680\*140\*630 NISSENS:

**BY-39040**

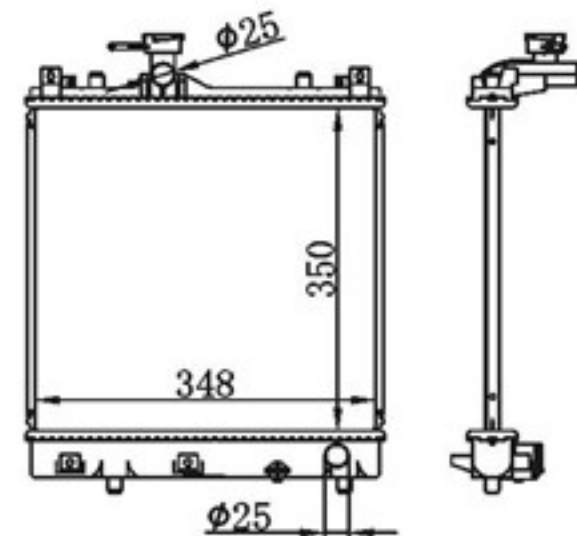
MODELS : GRAND VITARA 2.OHDI 01- MT P A : 16/26/32  
 CORE SIZE : 475×588 DPI :  
 TANK SIZE : 48/48×620 OEM :  
 CARTON: 680\*140\*630 NISSENS:

## BY-39041



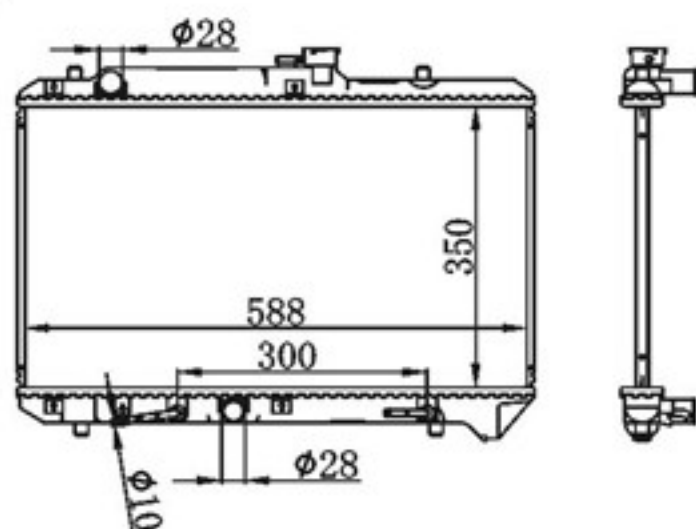
MODELS : SWIFT COMQ M13A 00-04 MT P A : 16/26  
 CORE SIZE : 375×348 DPI :  
 TANK SIZE : 48/48×372 OEM : 17700-80G00  
 CARTON: 410\*140\*610 NISSENS:64195

## BY-39042



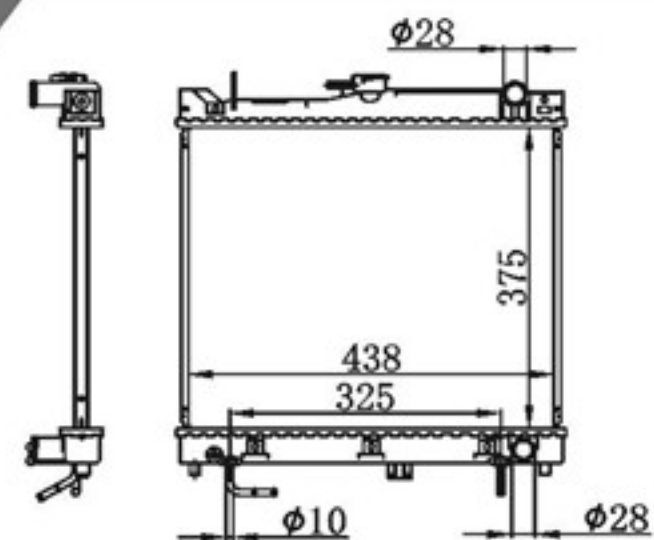
MODELS : ALTO 1.0 RF410-2 MT P A : 16/26  
 CORE SIZE : 350×348 DPI :  
 TANK SIZE : 48/48×372 OEM : 17700A79F02  
 CARTON: 430\*150\*560 NISSENS:

## BY-39043



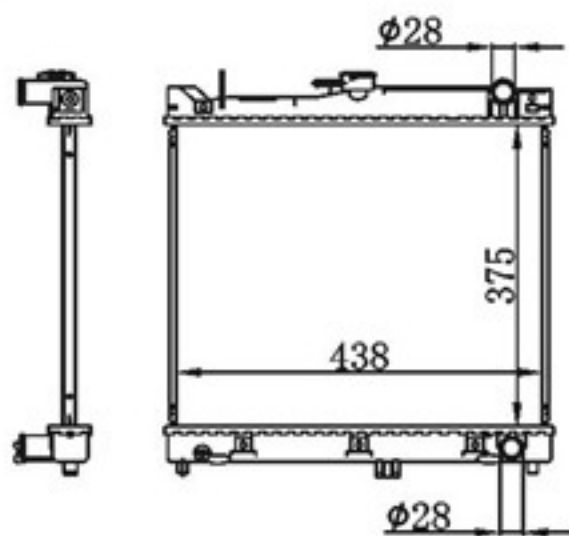
MODELS : CALTUS WAGON 96-98 AT P A : 16/26/32  
 CORE SIZE : 350×588 DPI :  
 TANK SIZE : 48/48×620 OEM : 17700-63G12  
 CARTON: 660\*120\*560 NISSENS:

## BY-39044



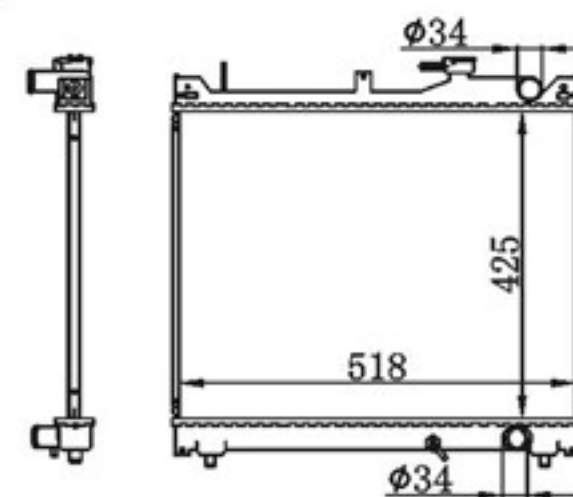
MODELS : JIMNY 1.3i 98- AT P A : 16/26/32  
 CORE SIZE : 375×438 DPI :  
 TANK SIZE : 47.5/47.5×467.5 OEM : 17700-80A11/81A11  
 CARTON: NISSENS:

## BY-39045



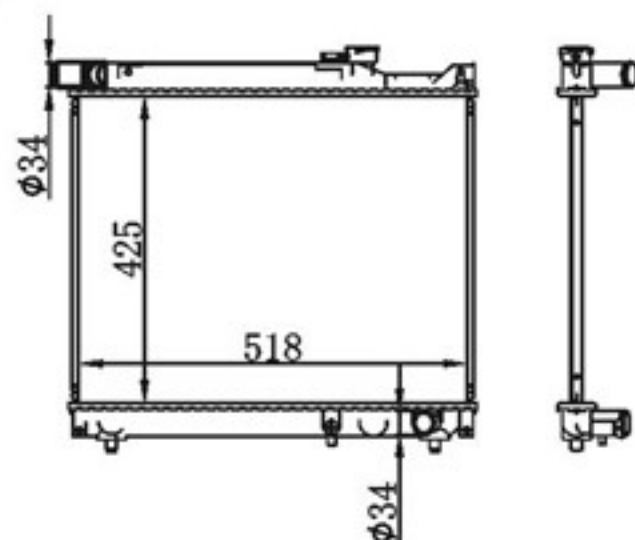
MODELS : JIMNY 1.3i 98- MT P A : 16/26/32  
 CORE SIZE : 375×438 DPI :  
 TANK SIZE : 47.5/47.5×467.5 OEM : 17700-78E20  
 CARTON: NISSENS:64165

## BY-39046



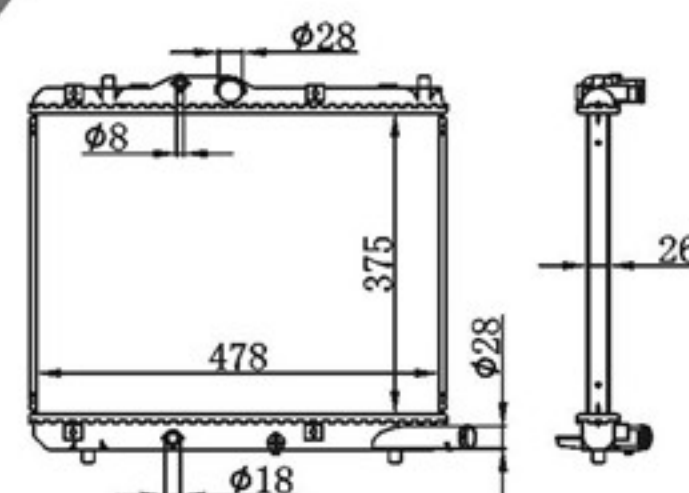
MODELS : ESCUDO 97-00 MT P A : 16/26  
 CORE SIZE : 425×518 DPI :  
 TANK SIZE : 48/48×544 OEM : 17700-66D01  
 CARTON: NISSENS:641756

## BY-39047



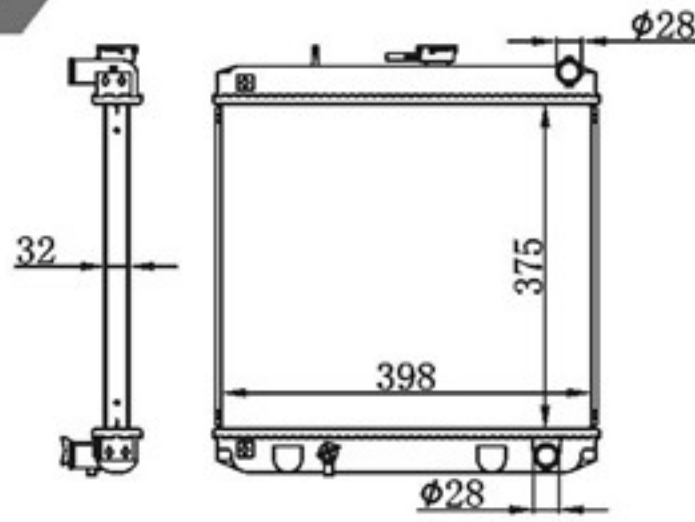
MODELS : ESCUDO TD32W 98-99 MT P A : 16/26  
 CORE SIZE : 425×518 DPI :  
 TANK SIZE : 48/48×544 OEM : 17700-78E20  
 CARTON: 610\*120\*630 NISSENS:64165

## BY-39048



MODELS : SX4(D) 05 MT P A : 26  
 CORE SIZE : 375×478 DPI :  
 TANK SIZE : 44/44×495.5 OEM :  
 CARTON: NISSENS:

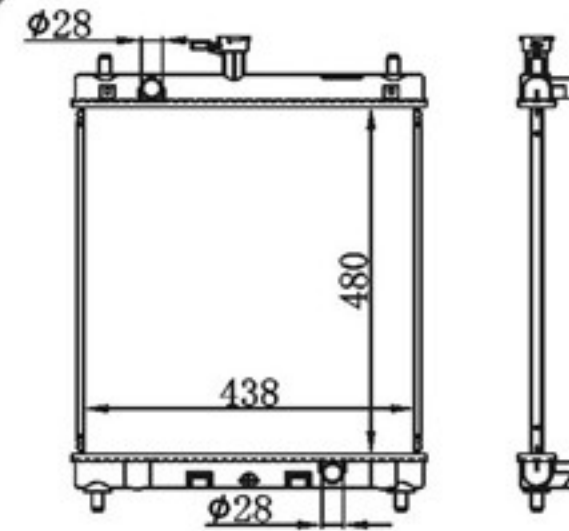
## BY-39049



MODELS : JIMNY MT  
CORE SIZE : 375×398  
TANK SIZE : 50/50×423  
CARTON: 470\*105\*565

P A : 32  
DPI :  
OEM :  
NISSENS:

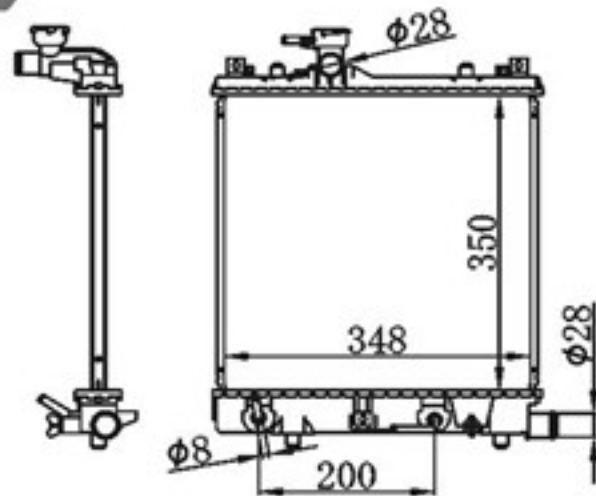
## BY-39050



MODELS : CARRY 1.6 09- MT  
CORE SIZE : 480×438  
TANK SIZE : 47.5/47.5×467.5  
CARTON:

P A : 16/26/32  
DPI :  
OEM : 17700-61J00  
NISSENS:

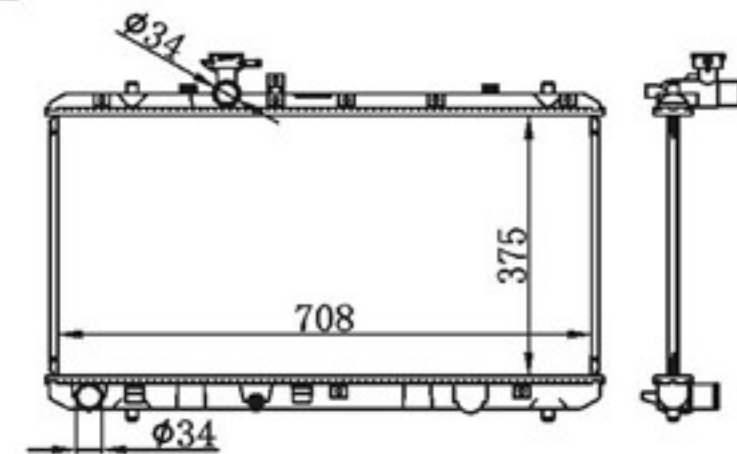
## BY-39051



MODELS : HA23S 00-05 AT  
CORE SIZE : 350×348  
TANK SIZE : 48/48×372  
CARTON: 450\*140\*560

P A : 16/26  
DPI :  
OEM :  
NISSENS:

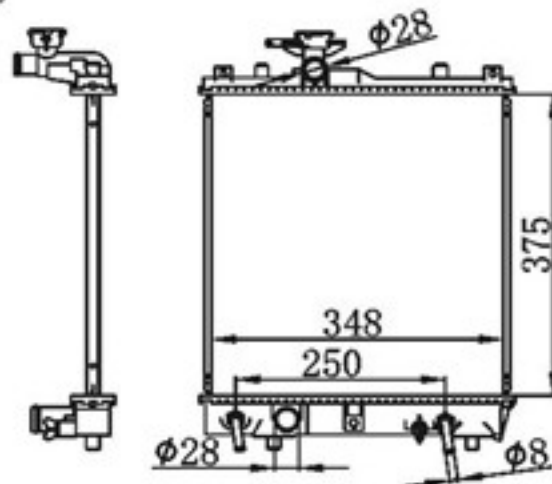
## BY-39052



MODELS : SX4 06- MT  
CORE SIZE : 375×708  
TANK SIZE : 48/48×735  
CARTON: 585\*170\*800

P A : 16/26  
DPI :  
OEM : 17700-79J00  
NISSENS: 64197

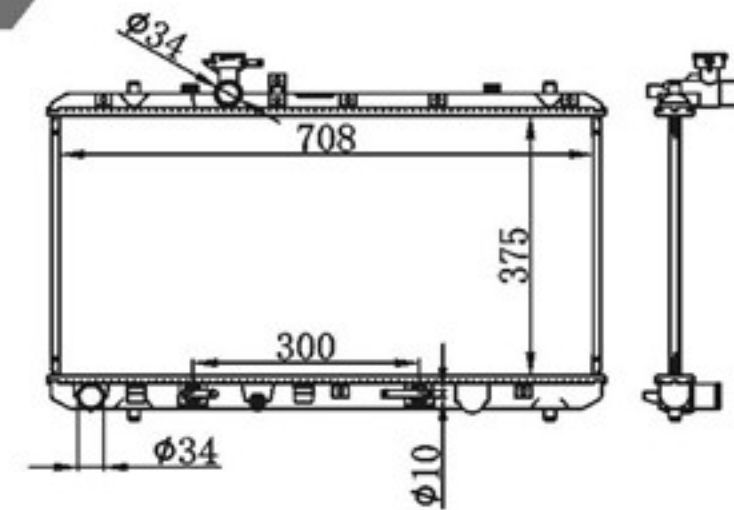
## BY-39053



MODELS : SWIFT COMQ M13A 00-04 AT  
CORE SIZE : 375×348  
TANK SIZE : 48/48×372  
CARTON: 410\*140\*610

P A : 16/26  
DPI :  
OEM :  
NISSENS:

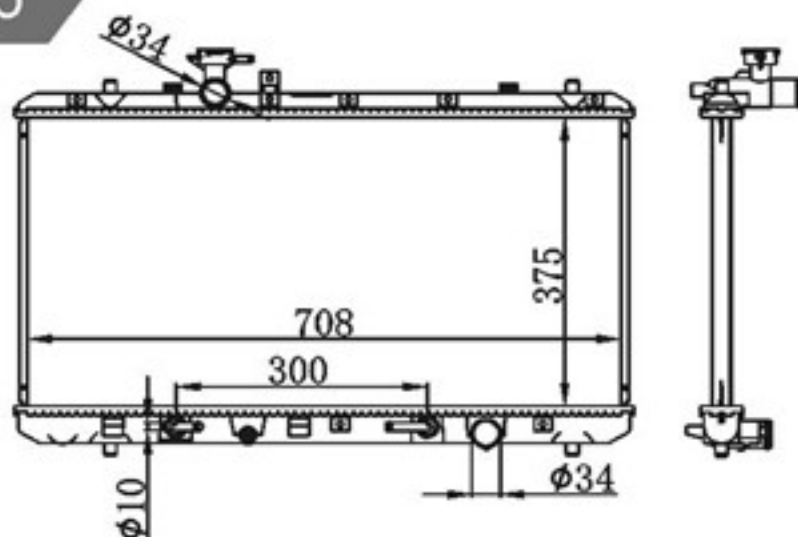
## BY-39054



MODELS : SX4 06- AT  
CORE SIZE : 375×708  
TANK SIZE : 48/48×735  
CARTON: 585\*170\*800

P A : 16/26  
DPI :  
OEM :  
NISSENS:

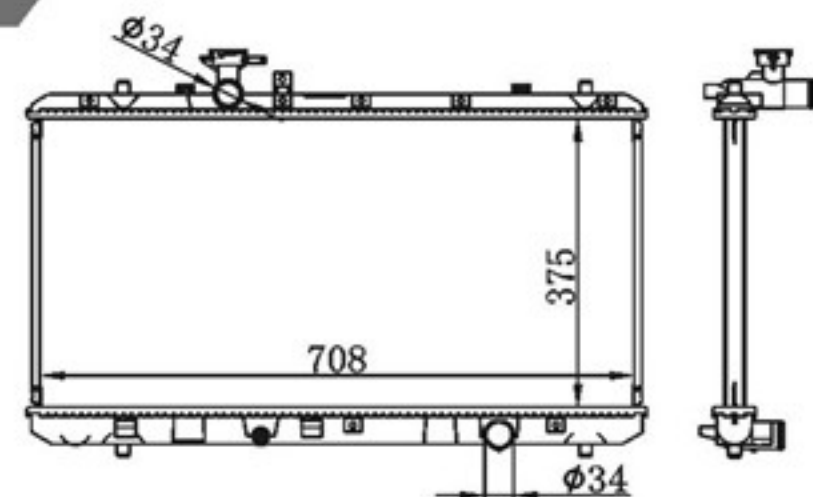
## BY-39055



MODELS : SX4 2.0L 06- AT  
CORE SIZE : 375×708  
TANK SIZE : 48/48×735  
CARTON: 585\*170\*800

P A : 16/26  
DPI : 2980-PA26  
OEM : 17700-80J10  
NISSENS: 64205

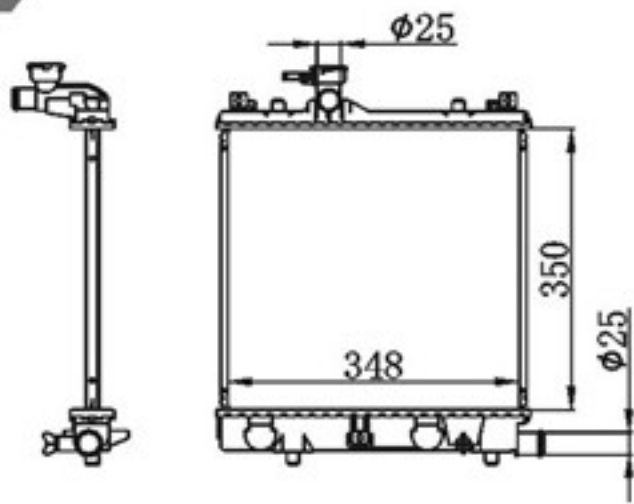
## BY-39056



MODELS : SX4 2.0L 06- MT  
CORE SIZE : 375×708  
TANK SIZE : 48/48×735  
CARTON: 585\*170\*800

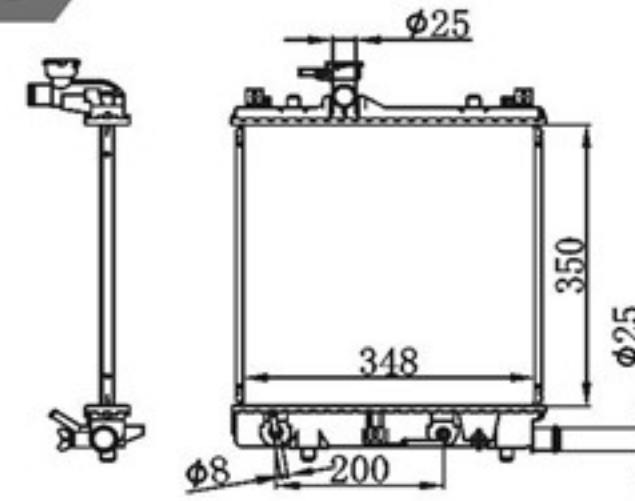
P A : 16/26  
DPI :  
OEM :  
NISSENS:

**BY-39057**



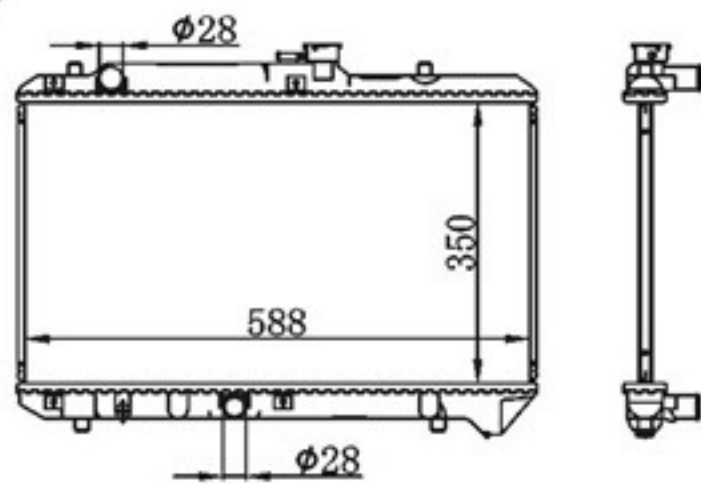
MODELS : ALTO/KEI/WAGON 98-00 MT P A : 16/26  
 CORE SIZE : 350×348 DPI :  
 TANK SIZE : 48/48×372 OEM : 17700-76G00  
 CARTON: 450\*140\*560 NISSENS:

**BY-39058**



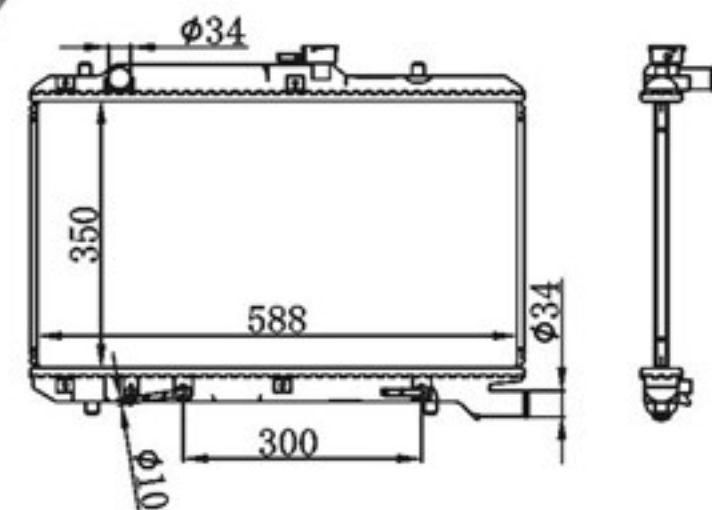
MODELS : ALTO/KEI/WAGON 98-00 AT P A : 16/26  
 CORE SIZE : 350×348 DPI :  
 TANK SIZE : 48/48×372 OEM :  
 CARTON: 450\*140\*560 NISSENS:

**BY-39059**



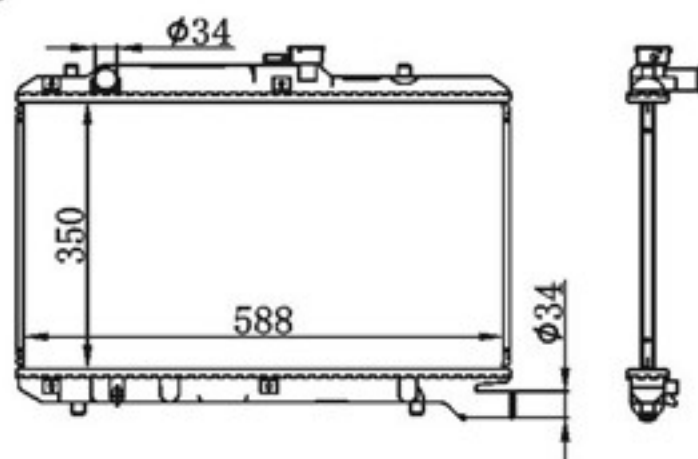
MODELS : CALTUS WAGON 96-98 MT P A : 16/26/32  
 eCORE SIZE : 350×588 DPI :  
 TANK SIZE : 48/48×620 OEM : 17700-63G12  
 CARTON: 660\*120\*560 NISSENS:

**BY-39060**



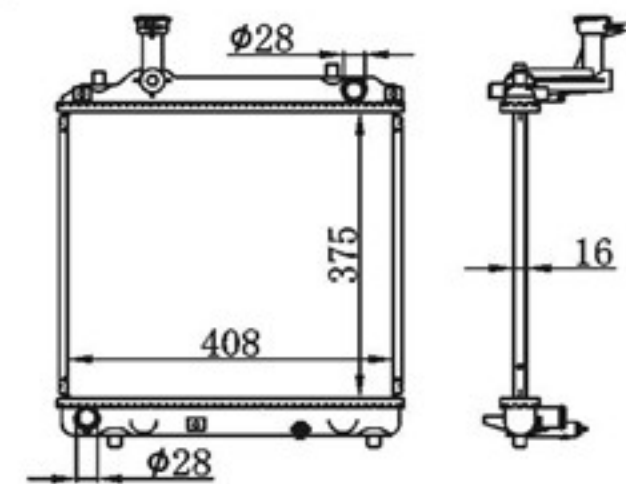
MODELS : CULTUS CRESCENT 96-02 AT P A : 16/26/32  
 CORE SIZE : 350×588 DPI :  
 TANK SIZE : 48/48×620 OEM : 17700-63G30  
 CARTON: 660\*120\*560 NISSENS:

**BY-39061**



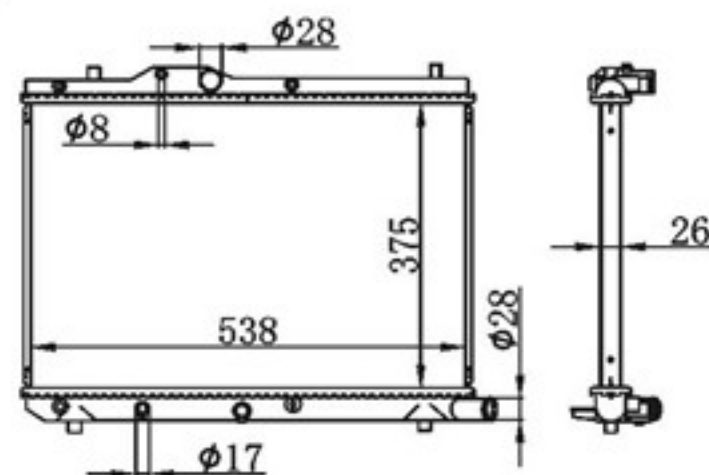
MODELS : CULTUS CRESCENT 96-02 MT P A : 16/26/32  
 CORE SIZE : 350×588 DPI :  
 TANK SIZE : 48/48×620 OEM : 17700-63G20  
 CARTON: 660\*120\*560 NISSENS:

**BY-39062**



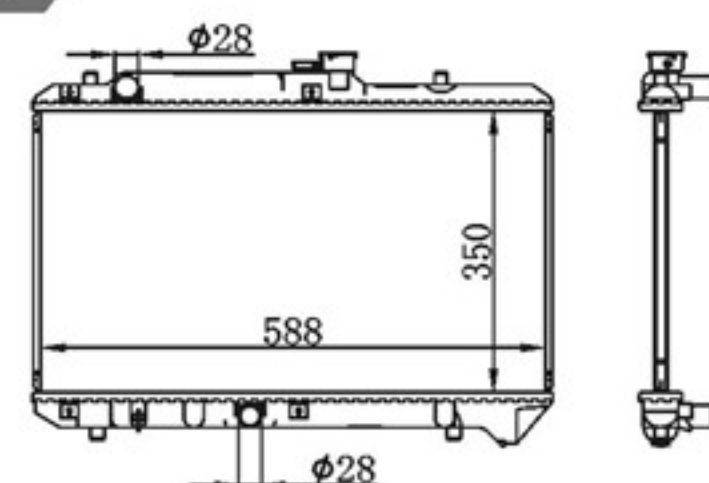
MODELS : AITO 10- MT P A : 16  
 CORE SIZE : 375×408 DPI :  
 TANK SIZE : 46.5/46.5×432 OEM :  
 CARTON: 490\*220\*610 NISSENS:

**BY-39063**



MODELS : SWIFT (DIESEL) 05- MT P A : 26  
 CORE SIZE : 375×538 DPI :  
 TANK SIZE : 44/44×566 OEM :  
 CARTON: NISSENS:

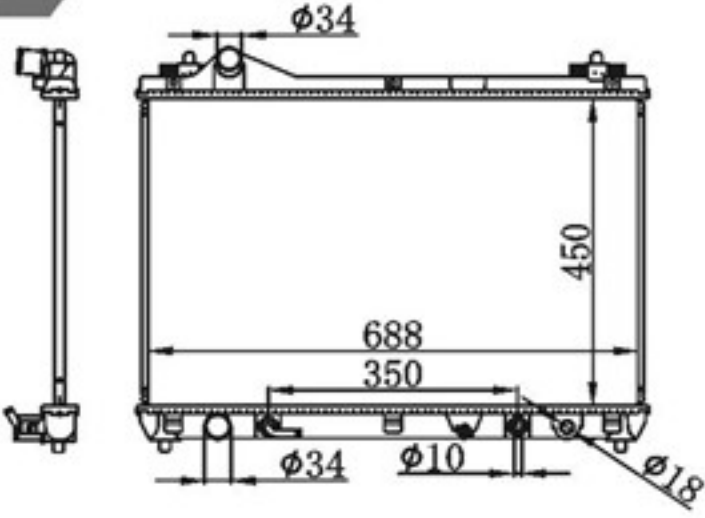
**BY-39064**



MODELS : CALTUS WAGON 96-98 MT P A : 16/26/32  
 CORE SIZE : 350×588 DPI :  
 TANK SIZE : 48/48×620 OEM : 17700-63G12  
 CARTON: 660\*120\*560 NISSENS:

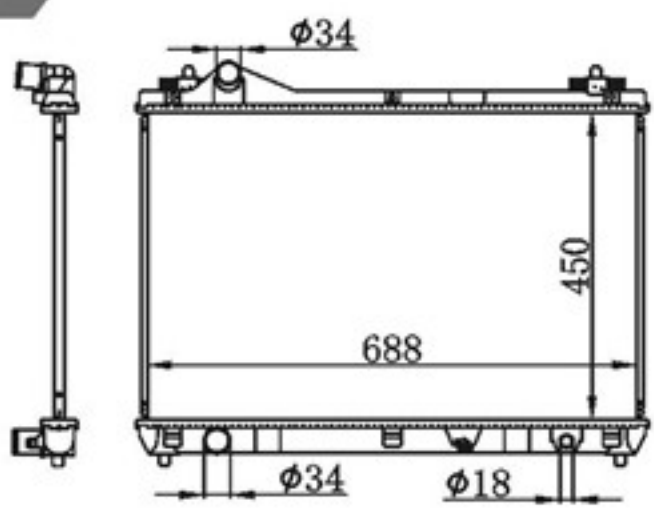


**BY-39065**



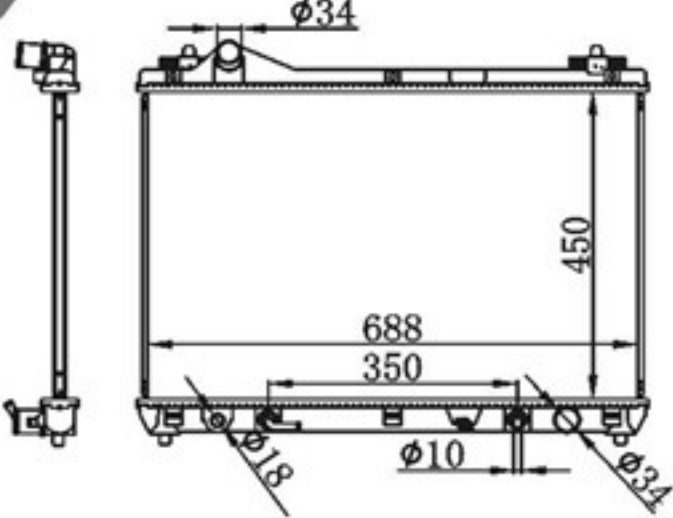
MODELS : GRAND VITARA (JT) 05- AT      P A : 16/26/32  
 CORE SIZE : 450×688      DPI :  
 TANK SIZE : 48/48×717      OEM :  
 CARTON: 760\*120\*660      NISSENS:

**BY-39066**



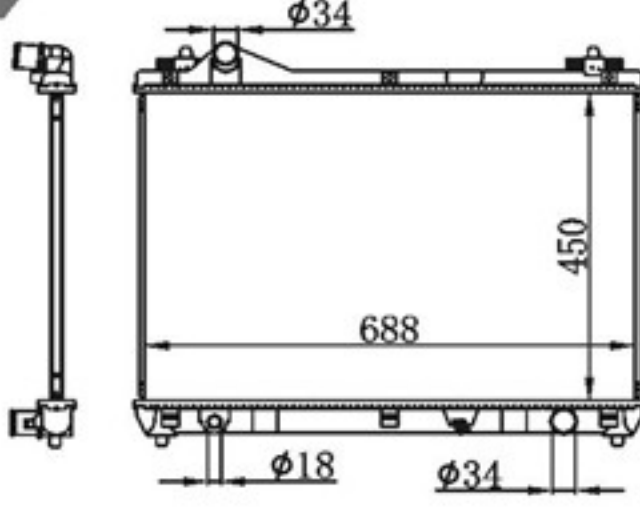
MODELS : GRAND VITARA (JT) 05- MT      P A : 16/26/32  
 CORE SIZE : 450×688      DPI :  
 TANK SIZE : 48/48×717      OEM : 17700-67J00  
 CARTON: 760\*120\*660      NISSENS:64201

**BY-39067**



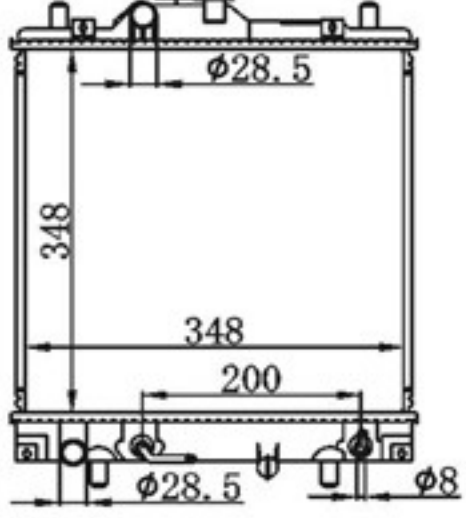
MODELS : ESCUDO/SIDE KICK/VITARA AT      P A : 16/26/32  
 CORE SIZE : 450×688      DPI :  
 TANK SIZE : 48/48×717      OEM :  
 CARTON: 760\*120\*660      NISSENS:

**BY-39068**



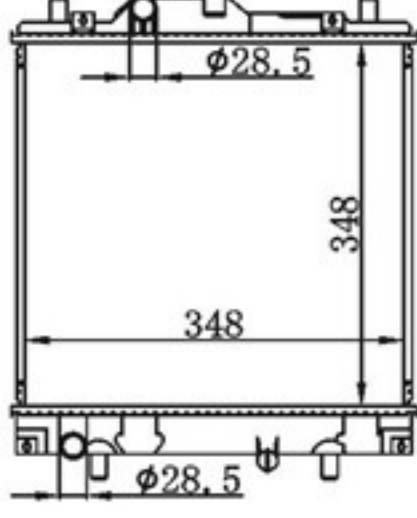
MODELS : ESCUDO/SIDE KICK/VITARA MT      P A : 16/26/32  
 CORE SIZE : 450×688      DPI :  
 TANK SIZE : 48/48×717      OEM :  
 CARTON: 760\*120\*660      NISSENS:

**BY-39069**



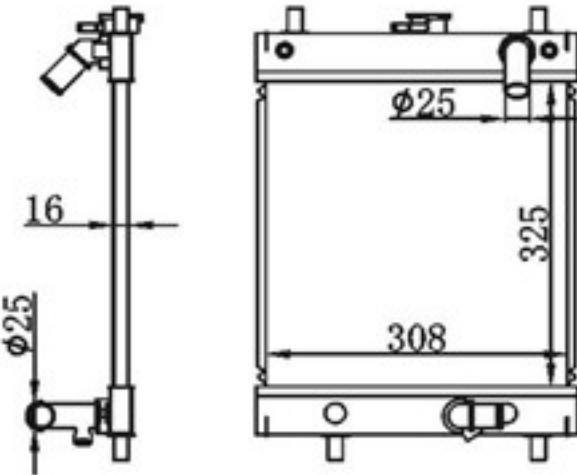
MODELS : METRO LSI L4 1.3L 95-01 AT      P A : 26  
 CORE SIZE : 348×348      DPI : 1732  
 TANK SIZE : 48/48×372      OEM : 9113911/1770050G00  
 CARTON:      NISSENS:

**BY-39070**



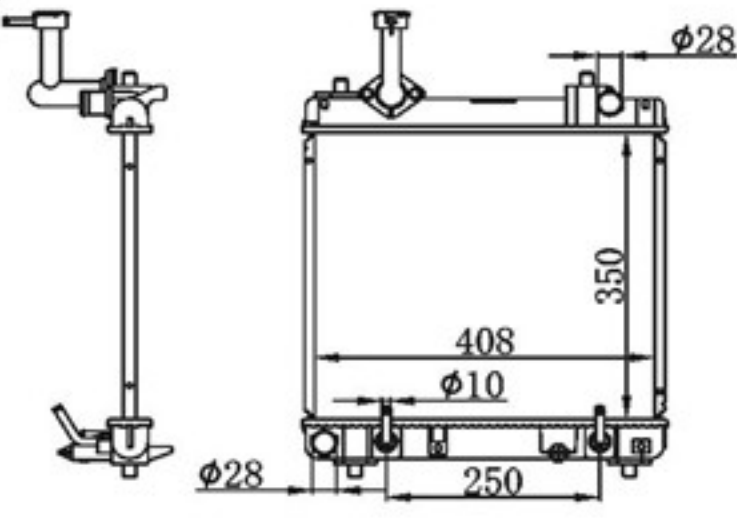
MODELS : METRO LSI L4 1.3L 95-01 MT      P A : 26  
 CORE SIZE : 348×348      DPI :  
 TANK SIZE : 48/48×372      OEM :  
 CARTON:      NISSENS:

**BY-39071**



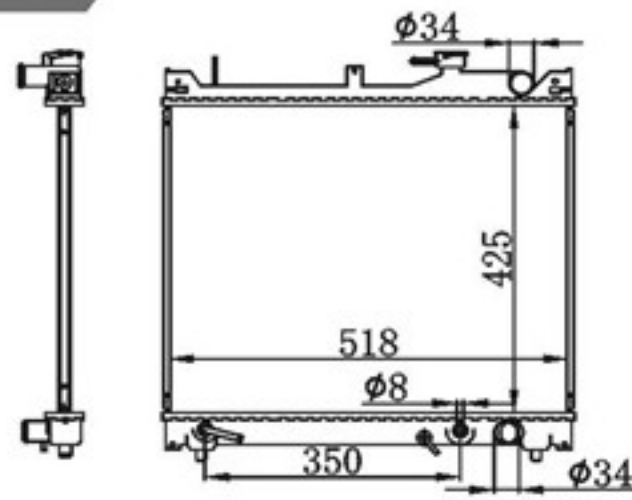
MODELS : MT      A L : 16  
 CORE SIZE : 325×308      DPI :  
 TANK SIZE : 26/26×324      OEM : 17700-67H00/67H01  
 CARTON: 520\*150\*365      NISSENS:

**BY-39072**



MODELS : ALTO 09- AT      P A : 16/22/26  
 CORE SIZE : 350×408      DPI :  
 TANK SIZE : 48/48×427      OEM : 1770068K10  
 CARTON: 610\*220\*465      NISSENS:

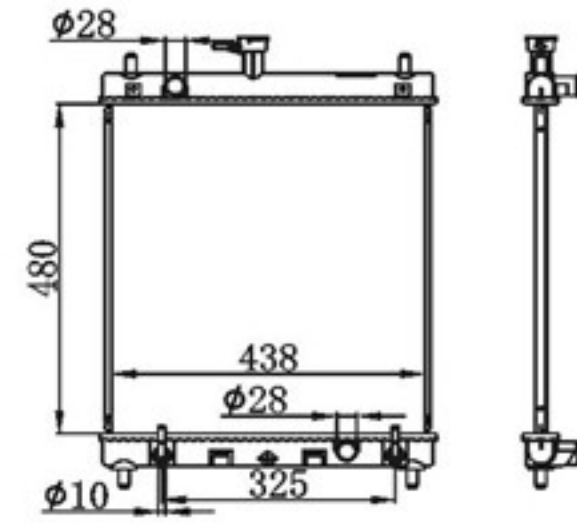
## BY-39073



MODELS : ESCUDO 97-00 AT  
CORE SIZE : 425×518  
TANK SIZE : 48/48×544  
CARTON:

P A : 16/26  
DPI : 13028  
OEM : 17700-66D11  
NISSENS:

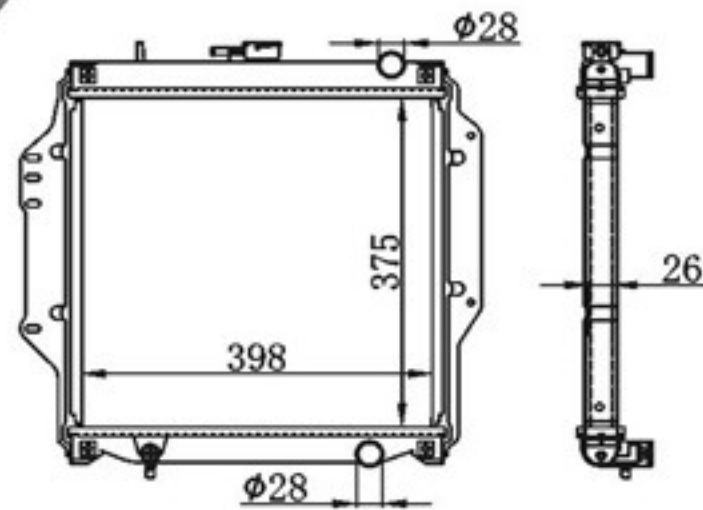
## BY-39074



MODELS : CARRY 1.6 09- AT  
CORE SIZE : 480×438  
TANK SIZE : 47.5/47.5×467.5  
CARTON:

P A : 16/26/32  
DPI :  
OEM : 17700-61J10  
NISSENS:

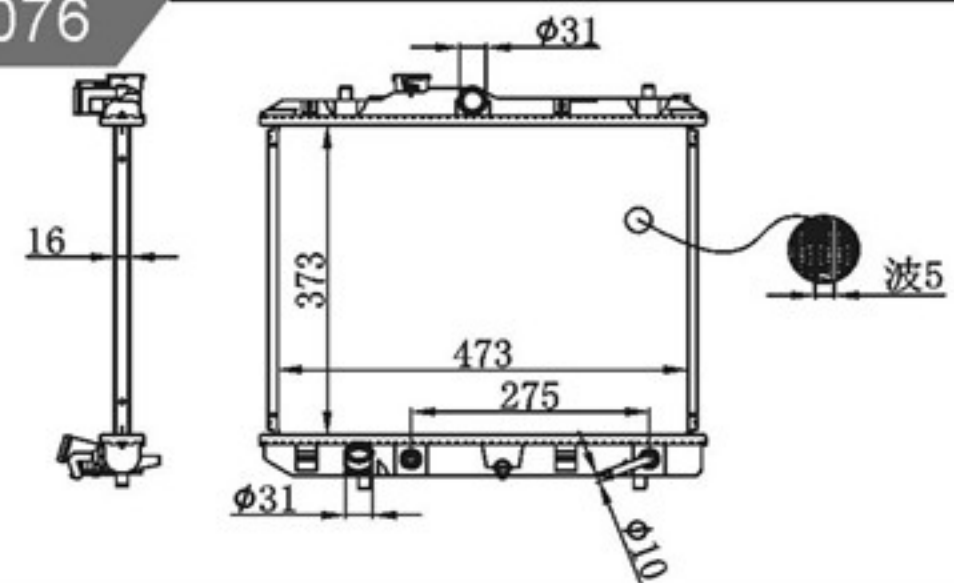
## BY-39075



MODELS : SAMURAI II/SJ413 MT  
CORE SIZE : 375×398  
TANK SIZE : 49.5/49.5×417  
CARTON: 550\*110\*540

P A : 26  
DPI :  
OEM : 17700-80C20  
NISSENS:

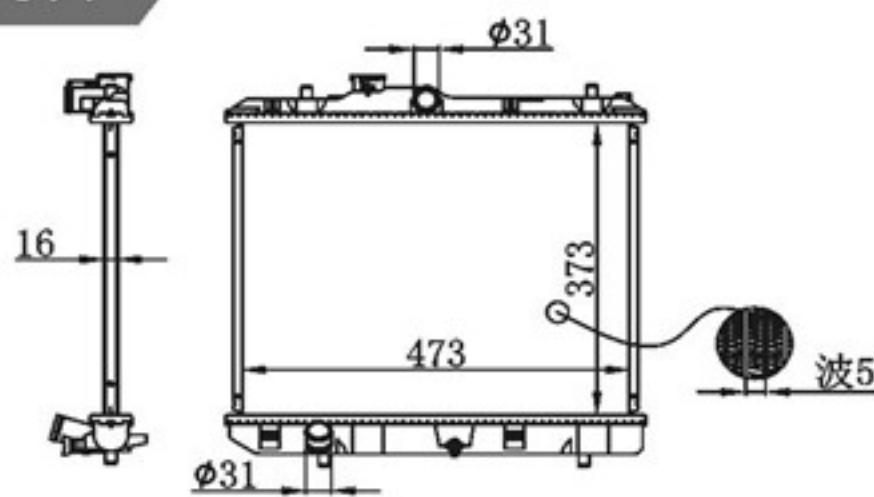
## BY-39076



MODELS : SPLASH 08-11 AT  
CORE SIZE : 373×473  
TANK SIZE : 48/48×506  
CARTON: 560\*150\*540

P A : 16  
DPI :  
OEM : 17700-73KB0  
NISSENS: 630706

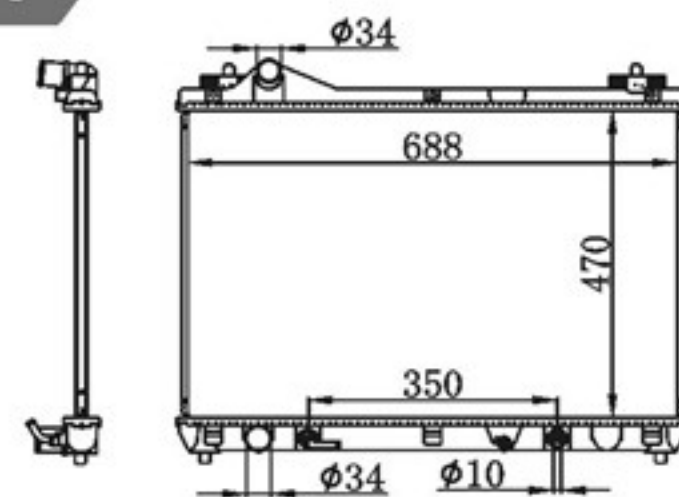
## BY-39077



MODELS : SPLASH 08-11 MT  
CORE SIZE : 373×473  
TANK SIZE : 48/48×506  
CARTON: 560\*150\*540

P A : 16  
DPI :  
OEM : 17700-73KCO  
NISSENS: 630707

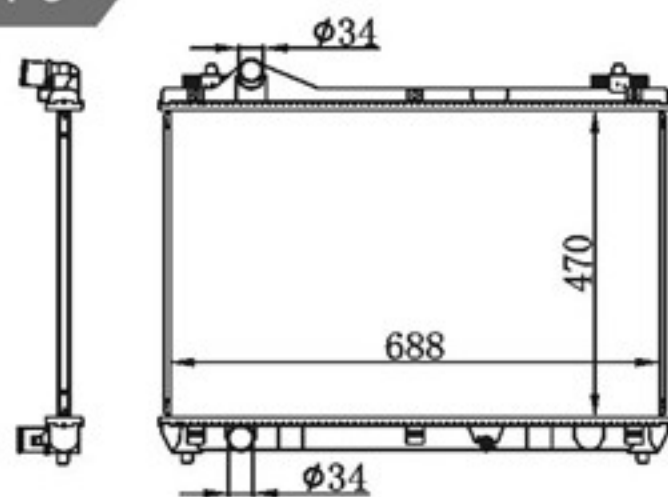
## BY-39078



MODELS : GRAND VITARA BASE 2.4L L4 09-13 AT  
CORE SIZE : 470×688  
TANK SIZE : 48/48×717  
CARTON: 760\*120\*680

P A : 16/26/32  
DPI : 13136-PA16  
OEM :  
NISSENS:

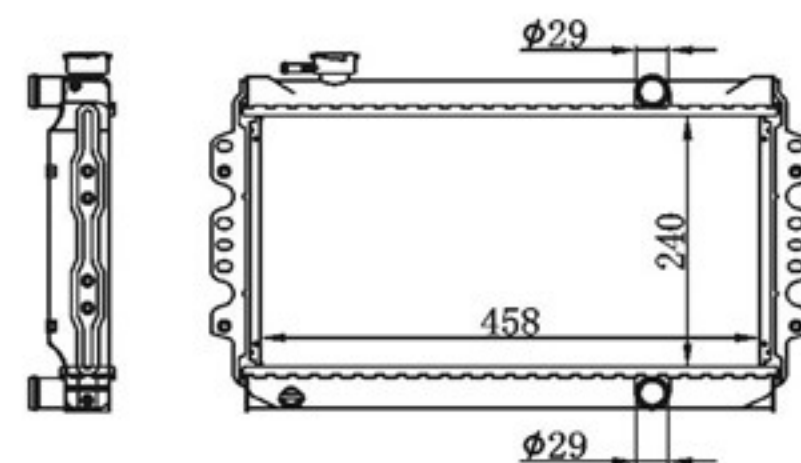
## BY-39079



MODELS : GRAND VITARA BASE 2.4L L4 09-13 MT  
CORE SIZE : 470×688  
TANK SIZE : 48/48×717  
CARTON: 760\*120\*680

P A : 16/26/32  
DPI :  
OEM :  
NISSENS:

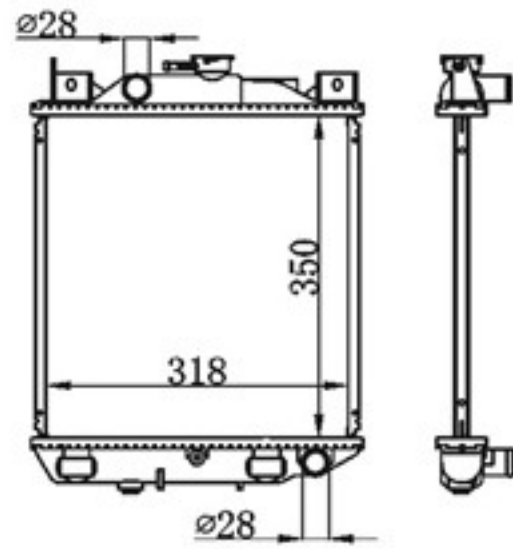
## BY-39080



MODELS : FISUZUKI VAN (老款) 80- MT  
CORE SIZE : 240×458  
TANK SIZE : 44/44×486.5  
CARTON:

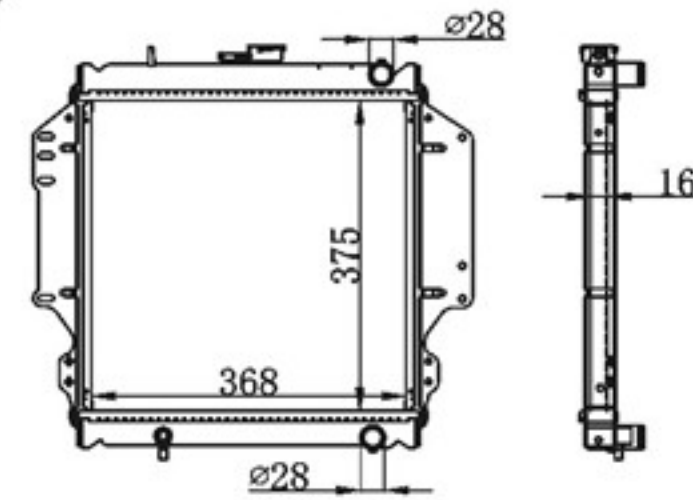
P A : 26  
DPI :  
OEM :  
NISSENS:

## BY-39081



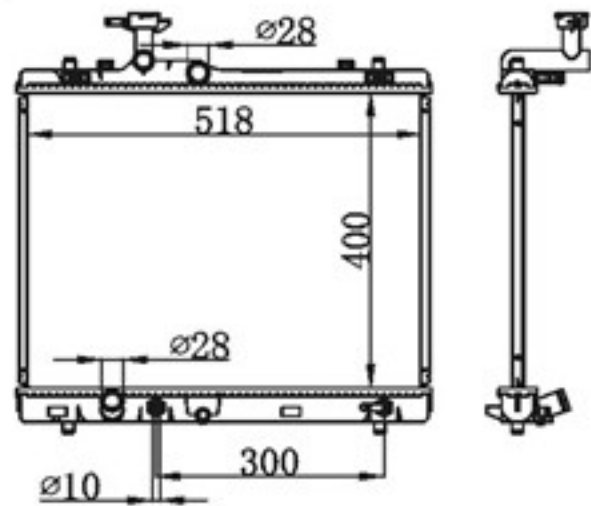
MODELS : SWIFT L3 1.0 GAS 92-94 MT P A : 16/26/32  
 CORE SIZE : 350×318 DPI :  
 TANK SIZE : 50/50×346 OEM :  
 CARTON: 350\*80\*480 NISSENS:

## BY-39082



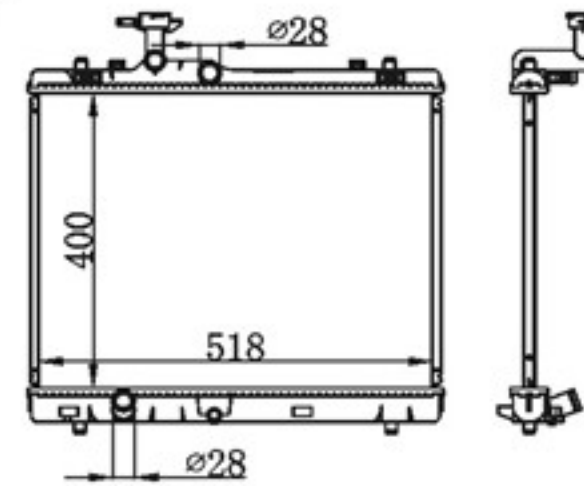
MODELS : SAMURAI JA L4 1.3L 85-88 MT P A : 16  
 CORE SIZE : 375×368 DPI : 170  
 TANK SIZE : 40/40×397 OEM : 1770083002  
 CARTON: 515\*75\*500 NISSENS:

## BY-39083



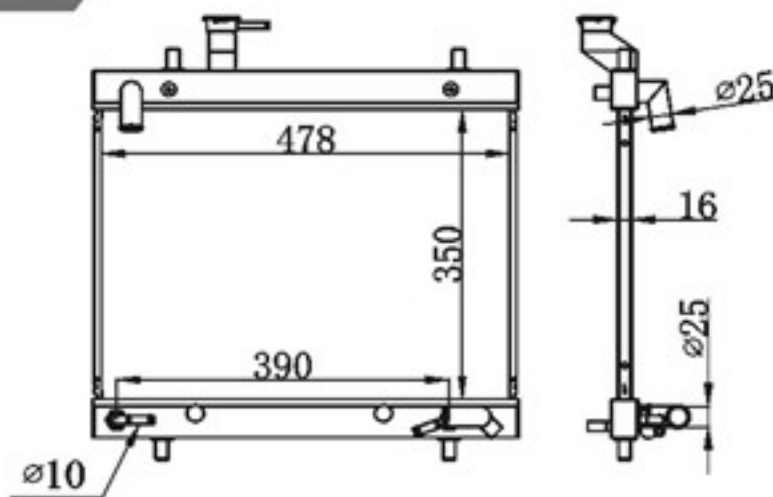
MODELS : SWIFT IV FZ/NZ 1.2 I 16V 10- AT P A : 16/26  
 CORE SIZE : 400×518 DPI :  
 TANK SIZE : 48/48×544 OEM : 1770071L10  
 CARTON: 550\*135\*570 NISSENS: 64258

## BY-39084



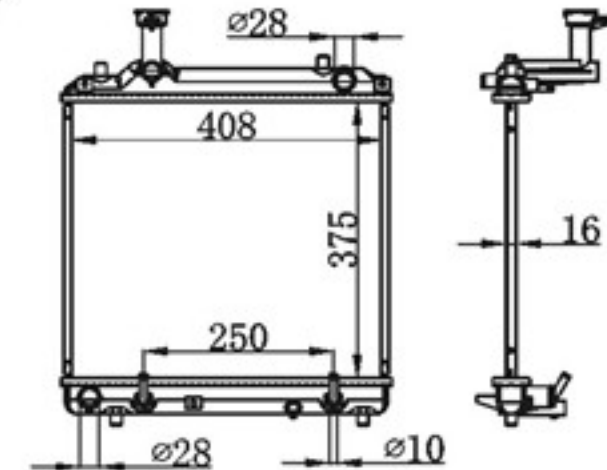
MODELS : SWIFT IV FZ/NZ 1.2 I 16V 10- MT P A : 16/26  
 CORE SIZE : 400×518 DPI :  
 TANK SIZE : 48/48×544 OEM : 1770071L00/20  
 CARTON: 550\*135\*570 NISSENS: 64257

## BY-39085



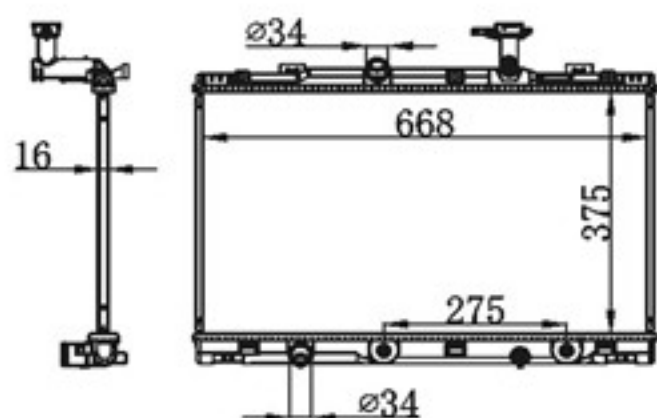
MODELS : SUZUKI DA64 AT P A : 16  
 CORE SIZE : 350×478 DPI :  
 TANK SIZE : 30.5/30.5×498 OEM :  
 CARTON: 500\*130\*535 NISSENS:

## BY-39086



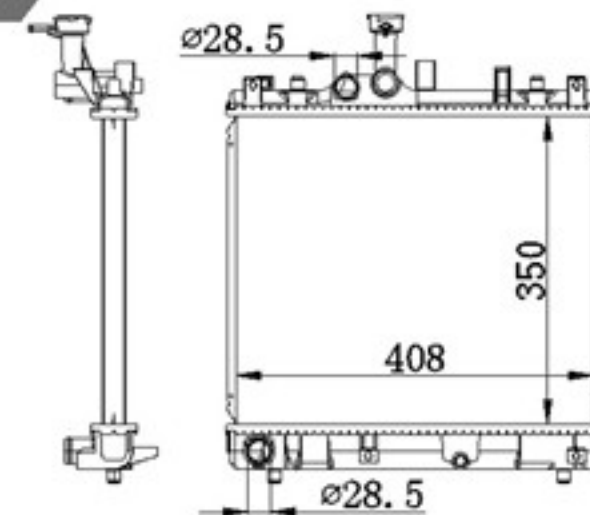
MODELS : AITO 1.0 09- AT P A : 16  
 CORE SIZE : 375×408 DPI :  
 TANK SIZE : 46.5/46.5×432 OEM :  
 CARTON: 563\*193\*435 NISSENS:

## BY-39087



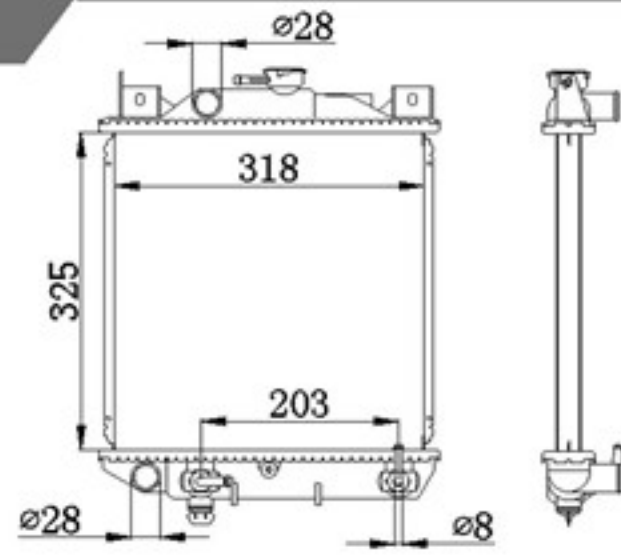
MODELS : SX4 CROSSOVER 14- AT P A : 16  
 CORE SIZE : 375×668 DPI :  
 TANK SIZE : 31.5/40×694 OEM : 17700-61M10  
 CARTON: 533\*142\*700 NISSENS:

## BY-39088



MODELS : KARIMUN ESTILLO MT P A : 16/22/26  
 CORE SIZE : 350×408 DPI :  
 TANK SIZE : 48/48×428 OEM : 17700-65L00  
 CARTON: 435\*150\*535 NISSENS:

BY-39089



86026 MT

MODELS : SWIFT AA44S 88-95 AT  
 CORE SIZE : 325×318  
 TANK SIZE : 50/50×346  
 CARTON: 390\*120\*510

P A : 16/26/32  
 DPI :  
 OEM :  
 NISSENS: